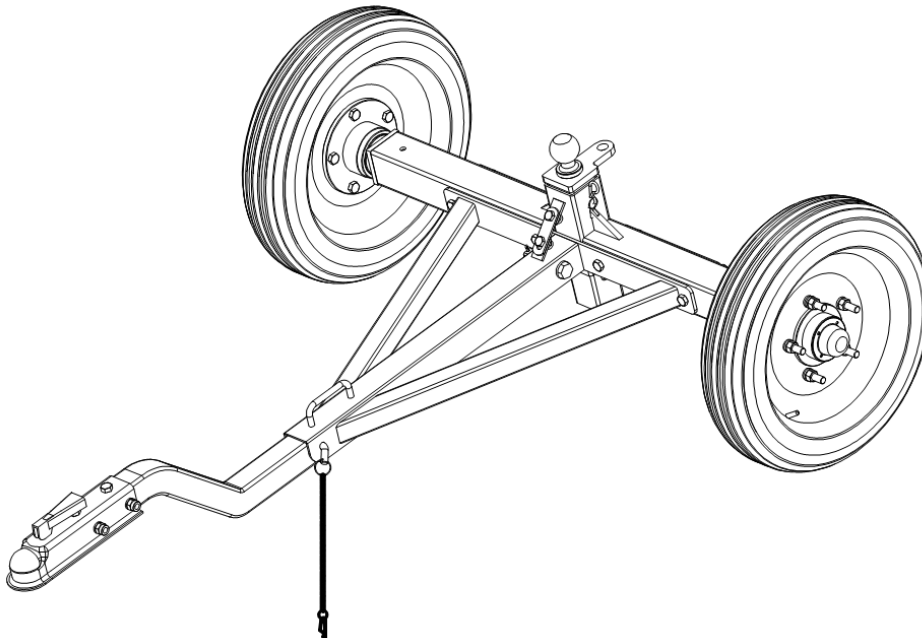




1200 LB Weight Distributing Trailer Dolly

OWNER'S MANUAL



WARNING:

Carefully read and understand all **ASSEMBLY AND OPERATION INSTRUCTIONS** before operating. Failure to follow the safety rules and other basic safety precautions may result in serious personal injury.

Model # TMD-1200ATV

Thank you very much for choosing this product! For future reference, please complete the owner's record below:

Model: _____ Purchase Date: _____

Save the receipt, the warranty, and these instructions. It is important that you read the entire manual to become familiar with this product before you begin using it.

This product is designed for certain applications only. The manufacturer cannot be responsible for issues arising from modification. We strongly recommend that this product not be modified and/or used for any application other than that for which it was designed. If you have any questions relative to a particular application, DO NOT use the product until you have first contacted us to determine if it can, or should, be performed on the product.

For technical questions, please call **1-218-943-6296**.

INTENDED USE

This 1200lbs Weight Distributing Trailer Dolly takes the weight off of your ATV, making it easier to pull attachments and eases the weight from your ATV/UTV. This dolly is perfect for fish houses and any tow behind attachments or pin hitches.

TECHNICAL SPECIFICATIONS

Item	Description
Capacity	1200 lbs.
Tires	20" Pneumatic Tires
Construction	Steel
Hitch Ball Size	2"
Adjustable Height	18.66" to 25"
Dimensions	43" wide wheel base and 52" long hitch

GENERAL SAFETY RULES



WARNING: Read and understand all instructions. Failure to follow all instructions listed below may result in serious injury.



CAUTION: Do not allow persons to operate or assemble this ATV Dolly until they have read this manual and have developed a thorough understanding of how the ATV Dolly works.



WARNING: The warnings, cautions, and instructions discussed in this instruction manual cannot cover all possible conditions or situations that could occur. It must be understood by the operator that common sense and caution are factors that cannot be built into this product, but must be supplied by the operator.

SAVE THESE INSTRUCTIONS

WORK AREA

- **Keep work area clean**, free of clutter, and well-lit. Cluttered and dark work areas can cause accidents.
- **Keep children and bystanders** away while operating an ATV Dolly. Distractions can cause you to lose control, so visitors should remain at a safe distance from the work area.
- **Be alert of your surroundings.** Using an ATV Dolly in confined work areas may put you dangerously close to sharp tools and rotating parts.

PERSONAL SAFETY

- **Stay alert**, watch what you are doing, and use common sense when using an ATV Dolly. Do not use an ATV Dolly while you are tired or under the influence of drugs, alcohol, or medication. A moment of inattention while operating an ATV Dolly may result in serious personal injury.
- **Dress properly.** Do not wear loose clothing, dangling objects, or jewelry. Keep your hair, clothing, and gloves away from moving parts. Loose clothes, jewelry, or long hair can be caught in moving parts.
- **Use safety apparel and equipment.** Use safety goggles or safety glasses with side shields that comply with current national standards or, when needed, a face shield. Use a dust mask if working in dusty work conditions. This applies to all persons in the work area. Also use non-skid, safety shoes, hard hats, gloves, dust collection systems, and hearing protection when appropriate.

ATV DOLLY USE AND CARE

- **Do not modify the ATV Dolly in any way.** Unauthorized modification may impair the function and/or safety and could affect the life of the equipment. There are specific applications for which the ATV Dolly was designed.
- **Always check for damaged or worn-out parts before using the ATV Dolly.** Broken parts will affect the ATV Dolly operation. Replace or repair damaged or worn parts immediately.
- **Do not exceed the ATV Dolly load capacity of 1200 lbs.**
- **Distribute the load evenly.** Uneven loads may cause the ATV Dolly to tip, resulting in personal injury to the operator or others.
- **Use the ATV Dolly on flat and level surfaces** capable of supporting the ATV Dolly and its maximum load. Pulling or pushing a load on a slanted or uneven surface can result in a loss of control.
- **Store idle ATV Dolly.** When the ATV Dolly is not in use, store it in a secure place out of the reach of children. Inspect it for good working condition prior to storage and before re-use.
- **Warning:** The weight distributing trailer dolly hitch does not have brakes. Use on level surfaces ONLY.

WARNING

- Never inflate over max rating.
- Max pressure is 30 psi from regulated air source.
- Over inflating can result in serious injury or death.

ASSEMBLY

1. Attach the lower end of Link Bracket (#17) to the Axle Assembly (#23) by using four Bolts (#20), four Flat Washers (#7) , four Spring Washers (#8)and four Nuts (#6).
2. Attach the Support Plate (#14) to connect the Link Bracket (#17) and the Axle Assembly (#23) using two Bolts (#15), two Washers (#13) and two Lock Nuts (#19).
3. Install the two Pneumatic Tires (#4) on both ends of the Axle Assembly (#23). Be sure the inflation valves are outward from the dolly. Attach tires using ten Bolts (#5), ten Flat Washers (#3) , ten Spring Washers (#2)and ten Nuts (#1).
4. Attach lower end of the Hitch (#25) to the Link Bracket (#17) using one Threaded Pin (#16), one Castle Nut (#21), and one Split Pin (#18). Make sure the Hitch (#25) can rotate freely.
5. Attach the Hitch (#25) to the Link Bracket (#17) using Hitch Pin (#24) ,Lock the Hitch Pin (#24) using lock pin(#30). Make sure the Hitch (#25) is locked.
6. Install the Hitch Ball (#11) onto the Adjustable Tube (#10). Insert the Adjustable Tube (#10) into the Axle Assembly (#23) and secure it with one Pin (#22) and one R-pin (#12).
7. Check and tighten all fasteners as needed.
8. Adjust the tube to the proper height. Make sure the Pin (#22) is secured through the Adjustable Tube (#10) and the welded tube on the frame. Place the R-pin (#12) into the hole of the pin.
9. Attach the Coupler (#28) onto the Hitch (#25) using two Bolts (#29), two Bolts (#26), four Washers (#7), and four Lock Nuts (#27).

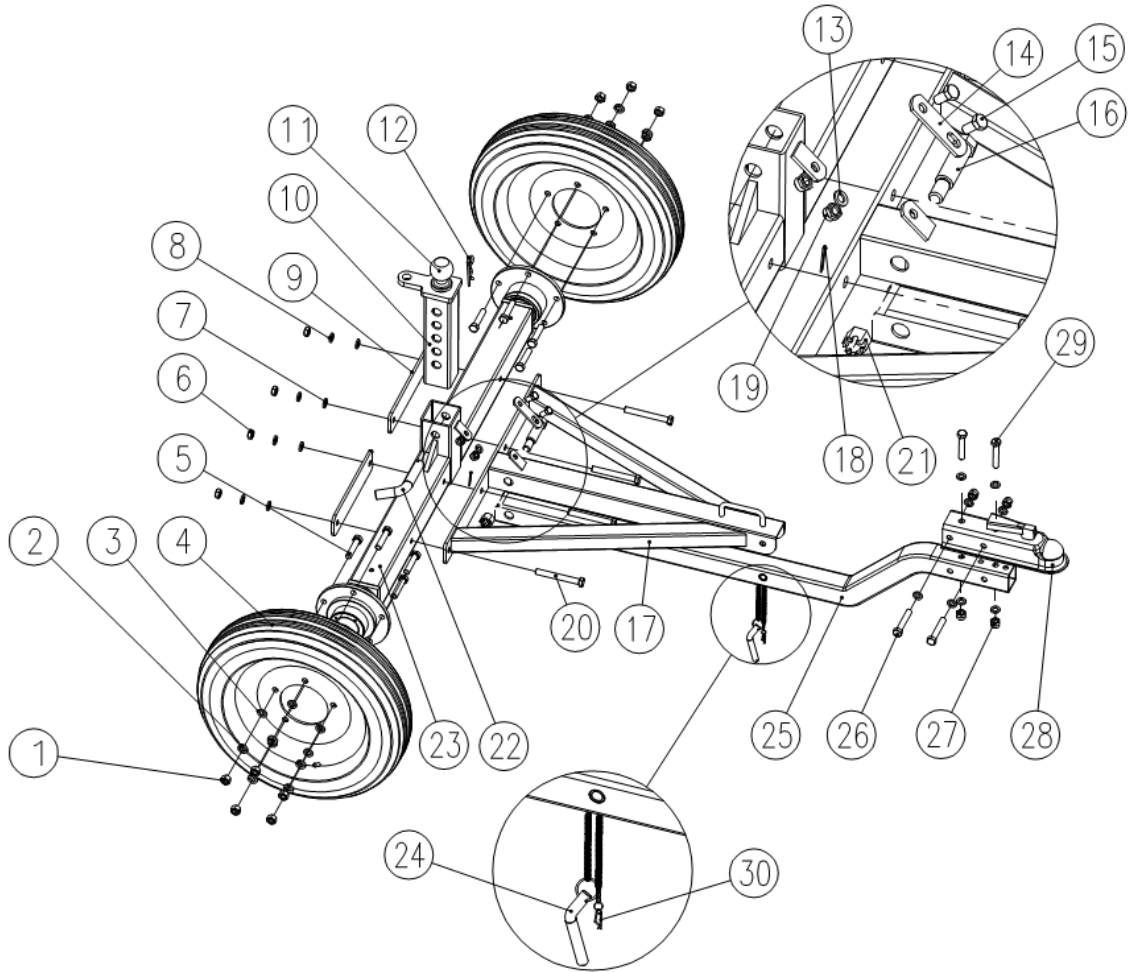
OPERATION

1. Do not exceed the rated dolly capacity and your ATV towing capacity.
2. Always keep arms, feet, and legs, etc. out from under the ATV tongue while hitching, unhitching, or moving the ATV. Children should always be kept at a safe distance.
3. Always make sure the ATV and application for towing are blocked properly.
4. Attach the hitch end to your ATV.
5. Make sure the trailer that is being towed is securely connected to the adjustable ATV dolly hitch ball before attempting to unblock and move the ATV.
6. Take precautions to prevent uncontrolled movement of the trailer that is being towed once it is connected to the adjustable ATV dolly. Remember, the slope of a roadbed surface is difficult to judge, and the pull of gravity can result in a dangerously out-of-control ATV.
7. Keep the adjustable ATV dolly clean and free of road dirt. Inspect the adjustable ATV dolly before each use to make sure all parts are securely in place and in working order. Bearings should be greased annually.
8. Tow at low speeds only.

MAINTENANCE

- **Maintain your ATV Dolly.** It is recommended that the general condition of any ATV Dolly be examined before it is used. Keep your ATV Dolly in good repair by adopting a program of conscientious repair and maintenance. If any abnormal vibrations or noise occurs, have the problem corrected before further use. Have necessary repairs made by qualified service personnel.

DIAGRAM & PARTS LIST



Part #	Description	Qty.	Part #	Description	Qty.
1	Nut M14	10	16	Threaded Pin M16x84	1
2	Spring Washer Ø14	10	17	Link Bracket	1
3	Flat Washer Ø14	10	18	Split Pin Ø3.2x40	1
4	20" Pneumatic Tire	2	19	Lock Nut M10	2
5	Hex Bolt M14x45	10	20	Hex Bolt M12x100	4
6	Nut M12	4	21	Castle Nut M16	1
7	Flat Washer Ø12	12	22	Pin Ø20x130	1
8	Spring Washer Ø12	4	23	Axle Assembly	1
9	Pads	2	24	Hitch Pin Ø12x95	1
10	Adjustable Tube	1	25	Hitch	1
11	Hitch Ball 2"	1	26	Hex Bolt M12x75	2
12	R-Pin Ø3x80	1	27	Lock Nut M12	4
13	Flat Washer Ø10	2	28	Coupler 2"	1
14	Support Plate	1	29	Hex Bolt M12x70	2
15	Bolt M10x20	2	30	Lock Pin Ø2x35	1

For replacement parts and technical questions, please call **1-218-943-6296**.

WARRANTY

One-year limited parts warranty.



TG
PO BOX 203
Miltona, MN 56354
Made in China