



EXTREME-DUTY ADJUSTABLE TRAILER DOLLY

1000 LB. CAPACITY

OWNER'S MANUAL



Model # TMD-1000C



WARNING:

Read carefully and understand all **ASSEMBLY AND OPERATION INSTRUCTIONS** before operating. Failure to follow the safety rules and other basic safety precautions may result in serious personal injury.

This product is designed for certain applications only. The manufacturer cannot be responsible for issues arising from modification. We strongly recommend this product not be modified and/or used for any application other than that for which it was designed. If you have any questions relative to a particular application, DO NOT use the product until you have first contacted us to determine if it can or should be performed on the product.

For technical questions, please call 218-943-6296

TECHNICAL SPECIFICATIONS

Item	Description
Capacity	1000 lbs
Tires	2-16" Flat Free tires with a 10" Flat Free Swivel Wheel
Construction	Steel
Hitch Ball Size	2"
Adjustable Height	21" to 33"
Dimensions	45-1/2" x 16-3/4" x 33-7/8"

INTENDED USE

Three-wheel design makes maneuvering trailers easier than two-wheel models. Versatile design features flat-free tires and an adjustable height for many different trailer tongue heights.

GENERAL SAFETY RULES



WARNING: Read and understand all instructions. Failure to follow all instructions listed below may result in serious injury.



CAUTION: Do not allow persons to operate or assemble this adjustable trailer dolly until they have read this manual and have developed a thorough understanding of how the adjustable trailer dolly works.



WARNING: The warnings, cautions, and instructions discussed in this instruction manual cannot cover all possible conditions or situations that could occur. It must be understood by the operator that common sense and caution are factors which cannot be built into this product, but must be supplied by the operator.



WARNING: TG will not be held liable for any damages, losses or injury due to the misapplication or misuse of this product or for any other reason. Always wear approved safety glasses, protective clothing, and proper hand and foot protection at all times. Keep all children, pets, and animals clear from work area.

SAVE THESE INSTRUCTIONS

WORK AREA

- **Keep work area clean**, free of clutter and well lit. Cluttered and dark work areas can cause accidents.
- **Keep children and bystanders** away while operating an adjustable trailer dolly.
- **Be alert of your surroundings.** Using an adjustable trailer dolly in confined work areas may put you dangerous situations.

PERSONAL SAFETY

- **Stay alert**, watch what you are doing and use common sense when using an adjustable trailer dolly. Do not use an adjustable trailer dolly while you are tired or under the influence of drugs, alcohol or medication. A moment of inattention while operating an adjustable trailer dolly may result in serious personal injury.
- **Dress properly.** Do not wear loose clothing, dangling objects, or jewelry. Keep your hair, clothing and gloves away from moving parts. Loose clothes, jewelry or long hair can be caught in moving parts.
- **Use safety apparel and equipment.** Use approved safety goggles or safety glasses with side shields, or when needed, a face shield. Also use non-skid safety shoes, and gloves when appropriate.

TRAILER DOLLY USE AND CARE

- **Do not modify the adjustable trailer dolly in any way.** Unauthorized modification may impair the function and/or safety and could affect the life of the equipment. There are specific applications for which the adjustable trailer dolly was designed.
- **Always check for damaged or worn out parts before using the adjustable trailer dolly.** Broken parts will affect the adjustable trailer dolly operation. Replace or repair damaged or worn parts immediately.
- **Do not exceed the adjustable trailer dolly load capacity.**
- **Distribute the load evenly.** Uneven loads may cause the adjustable trailer dolly to tip, resulting in personal injury to the operator or others.
- **Use the adjustable trailer dolly on flat and level surfaces** capable of supporting the adjustable trailer dolly and its maximum load. Pulling or pushing a load on a slanted or uneven surface can result in loss of control.
- **Store idle adjustable trailer dolly.** When adjustable trailer dolly is not in use, store it in a secure place out of the reach of children. Inspect it for good working condition prior to storage and before re-use.

ASSEMBLY

See parts diagram for reference during assembly

1. Attach one side of middle handle (#8) to the axle assembly (#1) using bolt (#9) and nut (#10).
2. Connect axle assembly (#1), top handle (#14) and middle handle (#8) together using bolt (#9) and nut (#10).
3. Install caster (#12) with wheel mounting plate (#11) by using bolt (#9, #13) and nut (#10).
4. Install hitch ball (#7) onto the mount bracket (#6), then insert the mount bracket (#6) into axle assembly (#1) and secure with safety pin (#4) and pin shaft (#5).
5. Attached two wheels (#2) to axle assembly (#1) and secure them with washers (#3) and safety pin (#4).
6. Check and tighten all fasteners as needed.

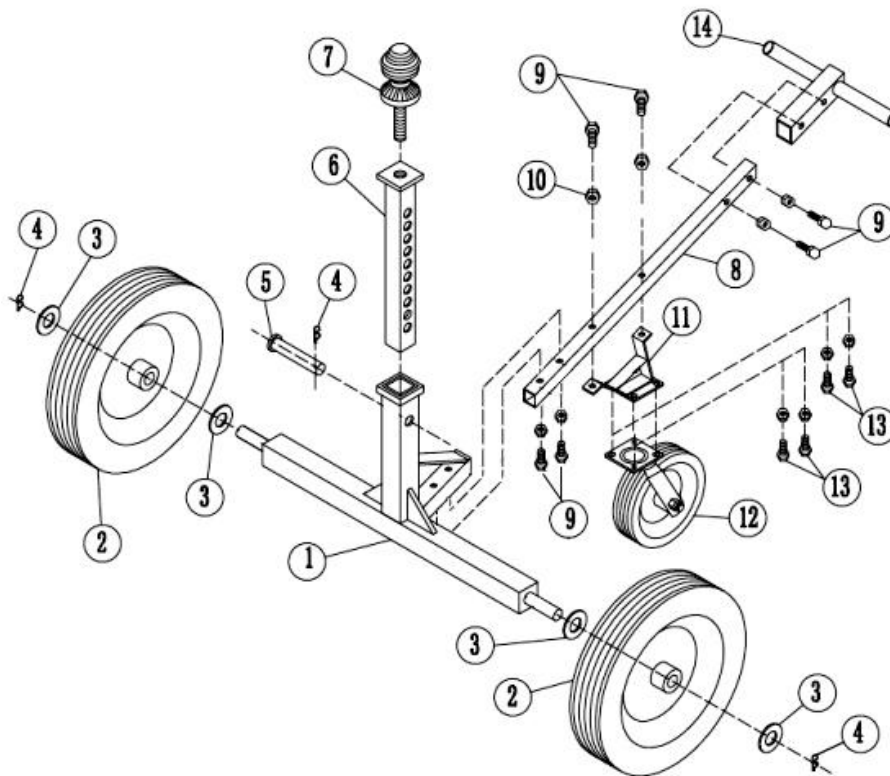
OPERATION

1. Design load limit is 1000lbs, for the adjustable trailer dolly alone, not including load supported by trailer wheels. Do not exceed the rated capacity.
2. Always keep arms, feet, and legs, etc. out from under the trailer tongue while hitching, unhitching or moving the trailer. Children should always be kept at a safe distance.
3. Always make sure any loaded trailer is blocked properly while the adjustable trailer dolly is being moved into place.
4. Make sure the trailer tongue is securely connected to the adjustable trailer dolly coupler ball before attempting to unblock and move the trailer.
5. Take precautions to prevent uncontrolled movement of the trailer once it is connected to the adjustable trailer dolly. Remember, the slope of a roadbed surface is difficult to judge, and the pull of gravity can result in a dangerously out of control trailer.
6. If the adjustable trailer dolly is being connected to a trailer which is being stored over a lengthy period of time, make sure both the trailer and the adjustable trailer dolly are blocked properly.
7. Keep the adjustable trailer dolly clean and free of road dirt. Inspect the adjustable trailer dolly before each use to make sure all parts are securely in place and in working order. Periodically lubricate moving parts.



WARNING: When using product, basic safety precautions should always be followed to reduce the risk of personal injury and damage to equipment.

DIAGRAM & PARTS LIST



Part #	Description	Qty
1	Axle Assembly	1
2	16in. Wheels	2
3	Plate Washer	4
4	Safety Pin	3
5	Pin Shaft	1
6	2in. Ball Mount Bracket	1
7	2in. Trailer Hitch Ball	1
8	Middle Handle	1
9	Bolt M10x50	6
10	Nut M10	10
11	Wheel Mounting Plate	1
12	10in. Caster	1
13	Bolt M10x25	4
14	Top Handle	1

For replacement parts and/or technical questions, please call 218-943-6296.

WARRANTY: One-year Limited Parts Warranty



Dist by: TG
 PO Box 203
 Miltona, MN 56354

Made in China