



800LB ADJUSTABLE TRAILER DOLLY OWNER'S MANUAL



Model # TMD-800C



WARNING:

Read carefully and understand all **ASSEMBLY AND OPERATION INSTRUCTIONS** before operating. Failure to follow the safety rules and other basic safety precautions may result in serious personal injury.

This product is designed for certain applications only. The manufacturer cannot be responsible for issues arising from modification. We strongly recommend this product not be modified and/or used for any application other than that for which it was designed. If you have any questions relative to a particular application, DO NOT use the product until you have first contacted us to determine if it can or should be performed on the product.

For technical questions, please call 218-943-6296

TECHNICAL SPECIFICATIONS

Item	Description
Capacity	800 lbs
Tires	12" Flat Free Tire + 8" Flat Free Swivel Caster
Construction	Steel
Hitch Ball Size	1-7/8"
Adjustable Height	16-1/2" to 25-1/2"
Dimensions	40" x 35" x 30.5"

GENERAL SAFETY RULES



WARNING: Read and understand all instructions. Failure to follow all instructions listed below may result in serious injury.



CAUTION: Do not allow persons to operate or assemble this adjustable trailer dolly until they have read this manual and have developed a thorough understanding of how the adjustable trailer dolly works.



WARNING: The warnings, cautions, and instructions discussed in this instruction manual cannot cover all possible conditions or situations that could occur. It must be understood by the operator that common sense and caution are factors which cannot be built into this product, but must be supplied by the operator.



WARNING: TG and TowTuff will not be held liable for any damages, losses or injury due to the misapplication or misuse of this product or for any other reason. Always wear approved safety glasses, protective clothing, and proper hand and foot protection at all times. Keep all children, pets, and animals clear from work area.

SAVE THESE INSTRUCTIONS

WORK AREA

- **Keep work area clean**, free of clutter and well lit.
- **Keep children and bystanders** away while operating the adjustable trailer dolly.
- **Be alert of your surroundings.** Using an adjustable trailer dolly in confined work areas may put you dangerous situations.

PERSONAL SAFETY

- **Stay alert**, watch what you are doing and use common sense when using the adjustable trailer dolly. Do not use the adjustable trailer dolly while you are tired or under the influence of drugs, alcohol or medication. A moment of inattention while operating the adjustable trailer dolly may result in serious personal injury.
- **Dress properly.** Do not wear loose clothing, dangling objects, or jewelry. Keep your hair, clothing and gloves away from moving parts. Loose clothes, jewelry or long hair can be caught in moving parts.
- **Use safety apparel and equipment.** Use approved safety goggles or safety glasses with side shields, or when needed, a face shield. Also use non-skid safety shoes, and gloves when appropriate.

TRAILER DOLLY USE AND CARE

- **Do not modify the adjustable trailer dolly in any way.** Unauthorized modification may impair the function and/or safety and could affect the life of the equipment. There are specific applications for which the adjustable trailer dolly was designed.
- **Always check for damaged or worn out parts before using the adjustable trailer dolly.** Broken parts will affect the adjustable trailer dolly operation. Replace or repair damaged or worn parts immediately.
- **Do not exceed the adjustable trailer dolly load capacity.**
- **Distribute the load evenly.** Uneven loads may cause the adjustable trailer dolly to tip, resulting in personal injury to the operator or others.
- **Use the adjustable trailer dolly on flat and level surfaces** capable of supporting the adjustable trailer dolly and its maximum load. Pulling or pushing a load on a slanted or uneven surface can result in loss of control.

ASSEMBLY

See parts diagram for reference during assembly

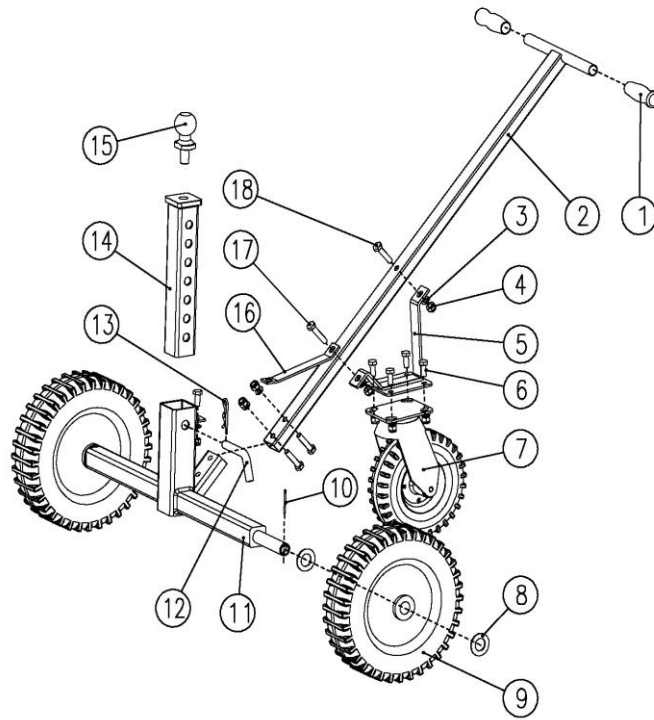
1. Attach lower end of brace (#16) to axle assembly (#11) using bolt (#6), flat washer (#3) and nut (#4).
2. Connect axle assembly (#11), T-Bar handle (#2), upper end of brace (#16) and lower end of mounting support (#5) together using bolt (#17), flat washer (#3), and nut (#4).
3. Attach upper end of mounting support (#5) onto T-Bar handle (#2) using bolt (#18), flat washer (#3) and nut (#4).
4. Attach the 8" Flat Free Swivel Caster (#7) to mounting support (#5) using bolt (#6), flat washer (#3) and nut (#4).
5. Install coupler ball (#15) onto the adjustable tube (#14), then insert the adjustable tube (#14) into axle assembly (#11) and secure them with pin (#12) and R pin (#13)
6. Attach two tires (#9) to axle assembly (#11) and secure them with flat washers (#8) and split pin (#10)
7. Check and tighten all fasteners as needed.
8. Adjust the tube (#14) to the proper height for your trailer. Make sure pin (#12) is secured through the adjustable tube and the welded tube on the frame. Place the R-pin (#13) into the hole of the pin (#12).

OPERATION

1. Design load limit is 800lbs, for the adjustable trailer dolly alone, not including load supported by trailer wheels. Do not exceed the rated capacity.
2. Always keep arms, feet, and legs, etc. out from under the trailer tongue while hitching, unhitching or moving the trailer. Children should always be kept at a safe distance.
3. Always make sure any loaded trailer is blocked properly while the adjustable trailer dolly is being moved into place.
4. Make sure the trailer tongue is securely connected to the adjustable trailer dolly coupler ball before attempting to unblock and move the trailer.
5. Take precautions to prevent uncontrolled movement of the trailer once it is connected to the adjustable trailer dolly. Remember, the slope of a roadbed surface is difficult to judge, and the pull of gravity can result in a dangerously out of control trailer.
6. If the adjustable trailer dolly is being connected to a trailer which is being stored over a lengthy period of time, make sure both the trailer and the adjustable trailer dolly are blocked properly.
7. Keep the adjustable trailer dolly clean and free of road dirt. Inspect the adjustable trailer dolly before each use to make sure all parts are securely in place and in working order. Periodically lubricate moving parts.

WARNING: FAILURE TO FOLLOW THESE INSTRUCTIONS COULD RESULT IN LOSS OF LOAD AND/OR PERSONAL INJURY OR DAMAGE TO PROPERTY.

DIAGRAM & PARTS LIST



Ref #	Description	Qty	Ref #	Description	Qty
1	Handle Sleeve	2	10	Split Pin Ø3.2x40	2
2	T-Bar Handle 39 - "	1	11	Axle Assembly	1
3	Flat Washer Ø10	9	12	Pin Ø16	1
4	Lock Nut M10	9	13	R Pin Ø3	1
5	Mounting Support	1	14	Adjustable Tube	1
6	Hex Bolt M10x25	5	15	1 - Coupler Ball	1
7	8" Flat Free Swivel Caster	1	16	Brace 7 - "	1
8	Flat Washer Ø25	4	17	Hex Bolt M10x50	1
9	12" Flat Free Tire	2	18	Hex bolt M10x45	3

For replacement parts and/or technical questions, please call 218-943-6296.

WARRANTY: One-year Limited Parts Warranty



Dist by:
 PO Box 203
 Miltona, MN 56354

Made in China
 Page 5 of 5