



# **600 LB. ADJUSTABLE TRAILER DOLLY**

## **OWNER'S MANUAL**



**Model # TMD-600AFF**



### **WARNING:**

Carefully read and understand all **ASSEMBLY AND OPERATION INSTRUCTIONS** before operating. Failure to follow the safety rules and other basic safety precautions may result in serious personal injury.

This product is designed for certain applications only. The manufacturer cannot be responsible for issues arising from modification. We strongly recommend that this product not be modified and/or used for any application other than that for which it was designed. If you have any questions relative to a particular application, DO NOT use the product until you have first contacted us to determine if it can, or should, be performed on the product.

For technical questions, please call 218-943-6296.

## TECHNICAL SPECIFICATIONS

Item	Description
Capacity	600 lbs
Tires	10" Flat Free Tire
Construction	Steel
Hitch Ball Size	1-7/8"
Adjustable Height	15-3/8" to 24-3/8"
Dimensions	41.3" x 28" x 30"

## GENERAL SAFETY RULES



**WARNING:** Read and understand all instructions. Failure to follow all instructions listed below may result in serious injury.



**CAUTION:** Do not allow persons to operate or assemble this adjustable trailer dolly until they have read this manual and have developed a thorough understanding of how the adjustable trailer dolly works.



**WARNING:** The warnings, cautions, and instructions discussed in this instruction manual cannot cover all possible conditions or situations that could occur. It must be understood by the operator that common sense and caution are factors that cannot be built into this product, but must be supplied by the operator.

**SAVE THESE INSTRUCTIONS**

## WORK AREA

- **Keep work area clean**, free of clutter, and well-lit. Cluttered and dark work areas can cause accidents.
- **Keep children and bystanders** away while operating an adjustable trailer dolly.
- **Be alert of your surroundings.** Using an adjustable trailer dolly in confined work areas may put you in dangerous situations.

## PERSONAL SAFETY

- **Stay alert**, watch what you are doing, and use common sense when using an adjustable trailer dolly. Do not use an adjustable trailer dolly while you are tired or under the influence of drugs, alcohol, or medication. A moment of inattention while operating an adjustable trailer dolly may result in serious personal injury.
- **Dress properly.** Do not wear loose clothing, dangling objects, or jewelry. Keep your hair, clothing, and gloves away from moving parts. Loose clothes, jewelry, or long hair can be caught in moving parts.
- **Use safety apparel and equipment.** Use approved safety goggles or safety glasses with side shields or, when needed, a face shield. Also use non-skid, safety shoes and gloves when appropriate.

## TRAILER DOLLY USE AND CARE

- **Do not modify the adjustable trailer dolly in any way.** Unauthorized modification may impair the function and/or safety and could affect the life of the equipment. There are specific applications for which the adjustable trailer dolly was designed.
- **Always check for damaged or worn-out parts before using the adjustable trailer dolly.** Broken parts will affect the adjustable trailer dolly operation. Replace or repair damaged or worn parts immediately.
- **Do not exceed the adjustable trailer dolly load capacity.**
- **Distribute the load evenly.** Uneven loads may cause the adjustable trailer dolly to tip, resulting in personal injury to the operator or others.
- **Use the adjustable trailer dolly on flat and level surfaces** capable of supporting the adjustable trailer dolly and its maximum load. Pulling or pushing a load on a slanted or uneven surface can result in loss of control.
- **Store idle adjustable trailer dolly.** When adjustable trailer dolly is not in use, store it in a secure place out of the reach of children. Inspect it for good working condition prior to storage and before re-use.

## ASSEMBLY

### See parts diagram for reference during assembly

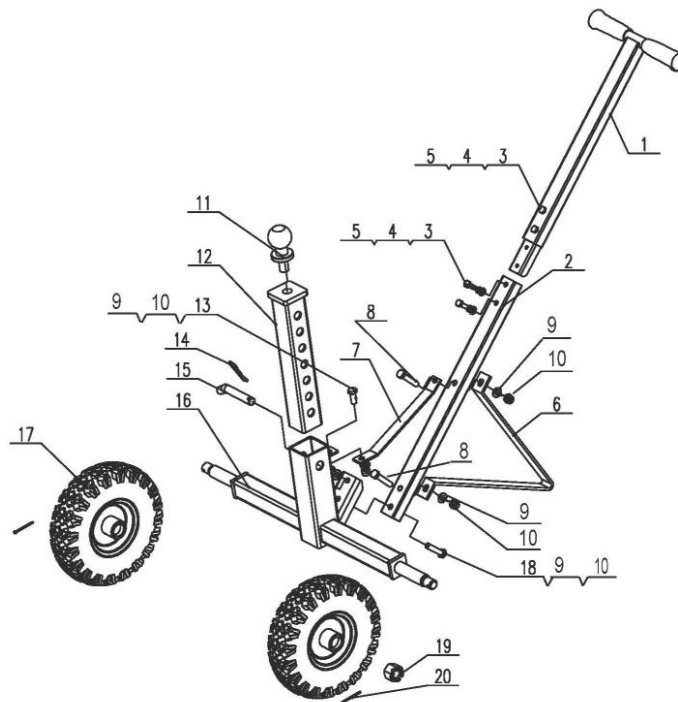
1. Attach the Link Bracket (#2) to the T-Bar Handle (#1) using four Bolts (#3), four Flat Washers (#4), and four Lock Washers (#5). Put the washers on the bolt before screwing into the holes.
2. Attach the Link Bracket (#2) to the Axle Assembly (#16) in the bottom hole using one Bolt (#18), one Washer (#9), and one Nut (#10).
3. Attach the upper end of the Brace (#7) and V Support (#6) to the Link Bracket (#2) using one Bolt (#8), one Washer (#9), and one Nut (#10).
4. Attach the lower end of the V Support (#6) to the Link Bracket (#2) using one Bolt (#8), one Washer (#9), and one Nut (#10).
5. Attach the lower end of the Brace (#7) to the Axle Assembly (#16) using one Bolt (#13), one Washer (#9), and one Nut (#10).
6. Install the two Flat Free Tires (#17) on both ends of the Axle Assembly (#16) using two Hex Nuts (#19) and two Split Pins (#20).
7. Install the Coupler Ball (#11) onto the Adjustable Tube (#12). Insert the Adjustable Tube (#12) into the Axle Assembly (#16) and secure it with the Pin (#15) and the R Pin (#14).
8. Check and tighten all bolts as needed.
9. Adjust the Adjustable Tube to the proper height for your trailer. Make sure the pin is secured through the Adjustable Tube and the welded tube on the frame. Place the R Pin into the hole of the Pin to secure the Pin.

## OPERATION

1. The designed load limit is 600 lbs. for the adjustable trailer dolly alone, not including load supported by trailer wheels. Do not exceed the rated capacity.
2. Always keep arms, feet, legs, etc. out from under the trailer tongue while hitching, unhitching, or moving the trailer. Children should always be kept at a safe distance.
3. Always make sure any loaded trailer is blocked properly while the adjustable trailer dolly is being moved into place.
4. Make sure the trailer tongue is securely connected to the adjustable trailer dolly coupler ball before attempting to unblock and move the trailer.
5. Take precautions to prevent uncontrolled movement of the trailer once it is connected to the adjustable trailer dolly. Remember, the slope of a roadbed surface is difficult to judge, and the pull of gravity can result in a dangerously out-of-control trailer.
6. If the adjustable trailer dolly is being connected to a trailer that is being stored over a lengthy period of time, make sure both the trailer and the adjustable trailer dolly are blocked properly.
7. Keep the adjustable trailer dolly clean and free of road dirt. Inspect the adjustable trailer dolly before each use to make sure all parts are securely in place and are in working order. Periodically lubricate moving parts.

**WARNING: FAILURE TO FOLLOW THESE INSTRUCTIONS COULD RESULT IN LOSS OF LOAD, PERSONAL INJURY, AND/OR DAMAGE TO PROPERTY.**

## DIAGRAM & PARTS LIST



Ref #	Description	Qty	Ref #	Description	Qty
1	T-Bar Handle	1	11	Coupler Ball 1-7/8"	1
2	Link Bracket	1	12	Adjustable Tube	1
3	Bolt M10x20	4	13	Bolt M10x25	1
4	Flat Washer Ø10	4	14	R Pin	1
5	Lock Washer Ø10	4	15	Pin	1
6	V Support	1	16	Axle Assembly	1
7	Brace	1	17	Flat Free Tire 10"	2
8	Bolt M10x50	2	18	Bolt M10x45	1
9	Washer Ø10	4	19	Hex Nut M20	2
10	Nut M10	4	20	Split Pin	2

For replacement parts and/or technical questions, please call 218-943-6296.

**WARRANTY:** One-year limited parts warranty.



Distributed by:  
**TG**  
 PO Box 203  
 Milona, MN 56354  
 Made in China