

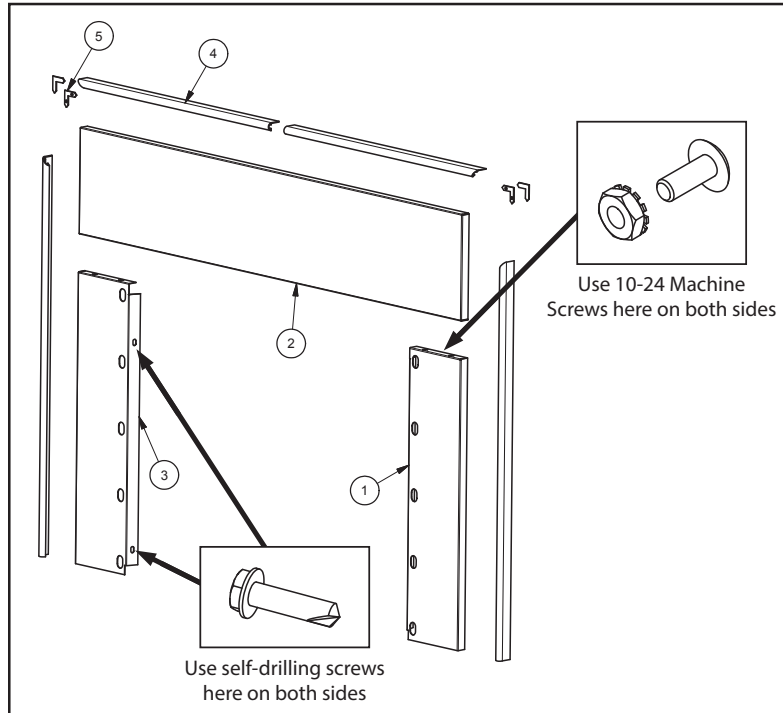
## KEEP THIS INSTRUCTION SHEET.

This instruction sheet supersedes any information located in the owners manual. Obtain this instruction sheet for the purpose of ordering replacement parts.

# AGVF340 ASSEMBLY INSTRUCTIONS

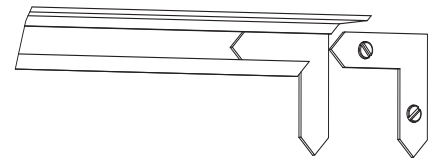
**Caution!** The appliance is very heavy. The assistance from a second person is strongly suggested. Please use proper lifting technique when positioning the appliance for assembly and installation.

Do not alter the existing fireplace in any way either by removing bricks or mortar which could weaken the structural integrity of the fireplace.

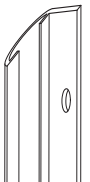


Item	Part No.	Description	Qty.
1	27217	Surround, Left	1
2	27218	Surround, Top	1
3	27219	Surround, Right	1
4	891435	Trim, Facade Left Side	1
5	891993	Trim Key Package	1
*	610122	Parts Bag,	1
*	610125	Parts Box (Zero Clearance)	1

\* Items not shown



INSERT KEYS BEHIND FLANGE OF TRIM AS SHOWN. BLANK CORNER KEY MUST BE INSTALLED FIRST. INSERT SECOND KEY. ADJUST TRIM AND TIGHTEN SET SCREWS.



### ASSEMBLY INSTRUCTIONS

1. Assemble the three façade panels together using the 10-24 machine screws and nuts provided, ensuring that the front face of each panel is flush with the other.
2. Position the façade panels onto the appliance, sliding as far forward as possible. The panels should seat against the backside of the shoulders.
3. To attach the panels to the appliance, either:
  - a. Mark and pre-drill the holes into the cabinet sides with a 1/8" drill bit, then attach using the four screws provided or,
  - b. Use a Drill with a 5/16" socket bit and insert the self-drilling screws through the façade panels into the cabinet sides.

**NOTE:** When attaching the panels, mark/drill or insert the screws into the center of the oblong hole to allow for any needed adjustment.

4. Carefully position the appliance back inside the fireplace. The façade should seat flat against the face of the fireplace.
5. Assemble the façade trim: You will assemble one long and a mating shorter section together using the key sets provided. The blank key will be installed behind the key with the set screws. See illustration.
6. Peel back the adhesive's protective layer on the backside of the trim, and attach to the façade assembly.
7. Refer to other instructions for installing components concerning Zero Clearance installations.

**IN ORDER TO MAINTAIN WARRANTY, COMPONENTS MUST BE REPLACED USING ORIGINAL MANUFACTURERS PARTS PURCHASED THROUGH YOUR DEALER OR DIRECTLY FROM THE APPLIANCE MANUFACTURER. USE OF THIRD PARTY COMPONENTS WILL VOID THE WARRANTY.**