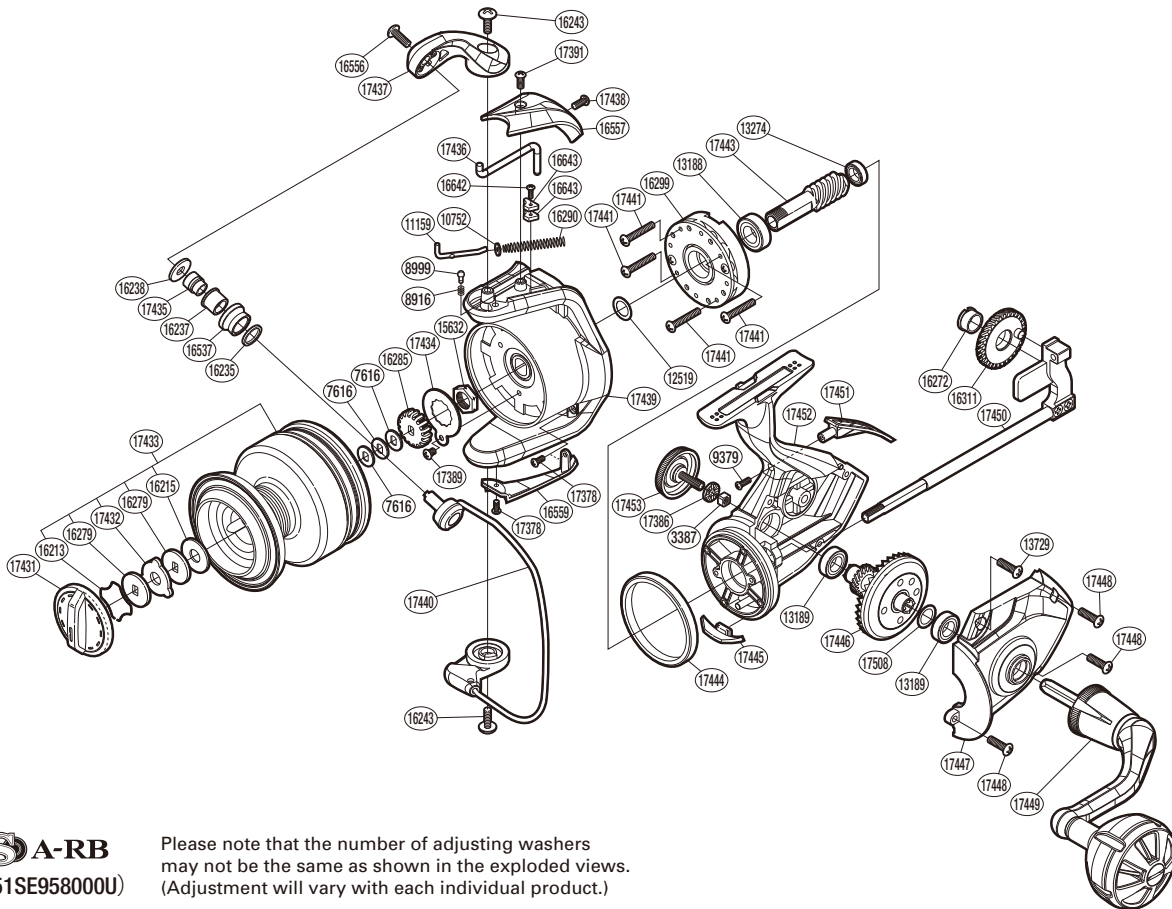


# SHIMANO

**SOCORRO SW S A-RB**

**SOC-8000SW**



**S A-RB**  
(51SE958000U)

Please note that the number of adjusting washers may not be the same as shown in the exploded views. (Adjustment will vary with each individual product.)

| Part No. | Description                 | Part No. | Description             | Part No. | Description         |
|----------|-----------------------------|----------|-------------------------|----------|---------------------|
| RD 3387  | Handle Screw Lock           | RD16279  | Key Washer              | RD17435  | Line Roller Collar  |
| RD 7616  | Spool Washer                | RD16285  | Spool Support           | RD17436  | Bail Trip Lever     |
| RD 8916  | Click Spring                | RD16290  | Bail Spring             | RD17437  | Bail Arm            |
| RD 8999  | Click Pin                   | RD16299  | Roller Clutch Assembly  | RD17438  | Screw               |
| RD 9379  | Screw                       | RD16311  | Oscillating Gear        | RD17439  | Rotor               |
| RD10752  | Bail Spring Guide A Support | RD16537  | Line Roller             | RD17440  | Bail Assembly       |
| RD11159  | Bail Spring Guide A         | RD16556  | Screw                   | RD17441  | Screw               |
| RD12519  | Washer                      | RD16557  | Bail Spring Cover       | RD17443  | Pinion Gear         |
| RD13188  | Ball Bearing                | RD16559  | Bail Hold Support Guard | RD17444  | Friction Ring       |
| RD13189  | Ball Bearing                | RD16642  | Screw                   | RD17445  | Bail Trip Strike    |
| RD13274  | Ball Bearing                | RD16643  | Counter Weight B        | RD17446  | Drive Gear Assembly |
| RD15632  | Rotor Nut                   | RD17378  | Screw                   | RD17447  | Side Cover          |
| RD16213  | Drag Washers Retainer       | RD17386  | Handle Screw Cap Spacer | RD17448  | Screw               |
| RD16215  | Drag Washer                 | RD17389  | Screw                   | RD17449  | Handle Assembly     |
| RD16235  | Line Roller Spacer          | RD17391  | Screw                   | RD17450  | Main Shaft Assembly |
| RD16237  | Line Roller Bushing         | RD17431  | Drag Knob               | RD17451  | Body I.D Plate      |
| RD16238  | Line Roller Washer          | RD17432  | Eared Washer            | RD17452  | Body                |
| RD16243  | Screw                       | RD17433  | Spool Assembly          | RD17453  | Handle Screw Cap    |
| RD16272  | Oscillating Gear Bushing    | RD17434  | Rotor Nut Retainer      | RD17508  | Washer              |