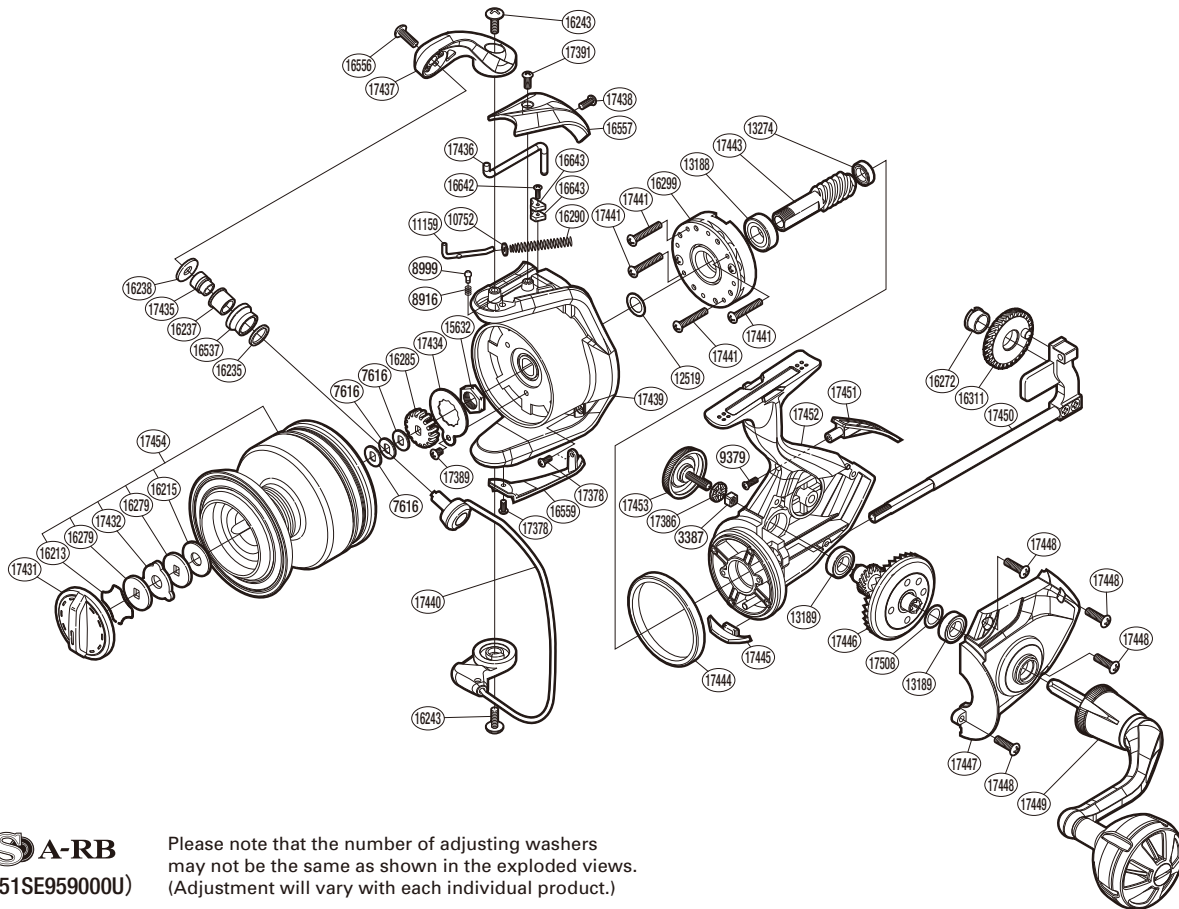


# SHIMANO

**SOCORRO SW**  **A-RB**

**SOC-10000SW**



 **A-RB**  
(51SE959000U)

Please note that the number of adjusting washers may not be the same as shown in the exploded views. (Adjustment will vary with each individual product.)

Part No.	Description	Part No.	Description	Part No.	Description
RD 3387	Handle Screw Lock	RD16279	Key Washer	RD17436	Bail Trip Lever
RD 7616	Spool Washer	RD16285	Spool Support	RD17437	Bail Arm
RD 8916	Click Spring	RD16290	Bail Spring	RD17438	Screw
RD 8999	Click Pin	RD16299	Roller Clutch Assembly	RD17439	Rotor
RD 9379	Screw	RD16311	Oscillating Gear	RD17440	Bail Assembly
RD10752	Bail Spring Guide A Support	RD16537	Line Roller	RD17441	Screw
RD11159	Bail Spring Guide A	RD16556	Screw	RD17443	Pinion Gear
RD12519	Washer	RD16557	Bail Spring Cover	RD17444	Friction Ring
RD13188	Ball Bearing	RD16559	Bail Hold Support Guard	RD17445	Bail Trip Strike
RD13189	Ball Bearing	RD16642	Screw	RD17446	Drive Gear Assembly
RD13274	Ball Bearing	RD16643	Counter Weight B	RD17447	Side Cover
RD15632	Rotor Nut	RD17378	Screw	RD17448	Screw
RD16213	Drag Washers Retainer	RD17386	Handle Screw Cap Spacer	RD17449	Handle Assembly
RD16215	Drag Washer	RD17389	Screw	RD17450	Main Shaft Assembly
RD16235	Line Roller Spacer	RD17391	Screw	RD17451	Body I.D Plate
RD16237	Line Roller Bushing	RD17431	Drag Knob	RD17452	Body
RD16238	Line Roller Washer	RD17432	Eared Washer	RD17453	Handle Screw Cap
RD16243	Screw	RD17434	Rotor Nut Retainer	RD17454	Spool Assembly
RD16272	Oscillating Gear Bushing	RD17435	Line Roller Collar	RD17508	Washer