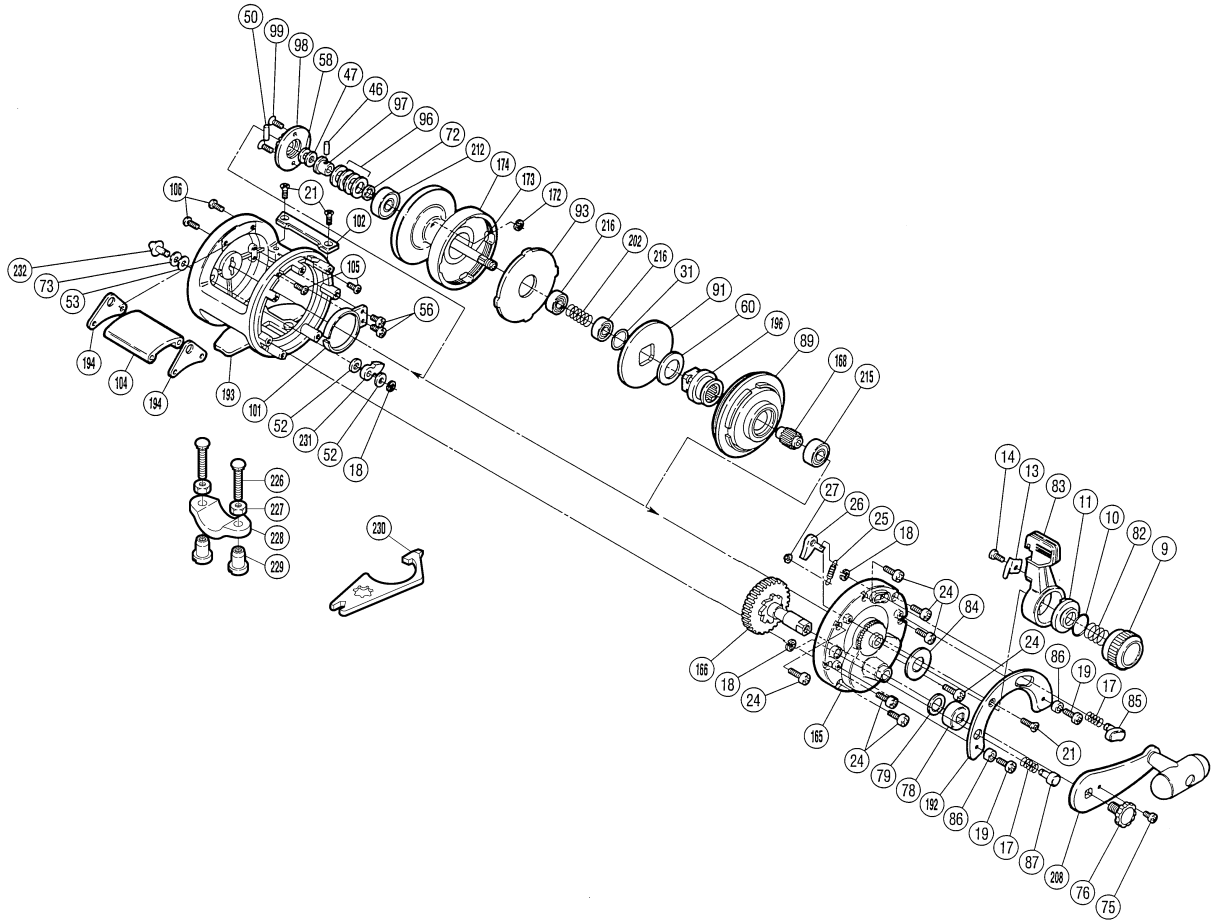


SHIMANO®

TLD A-RB

TLD-20



Part No.	Description	Part No.	Description	Part No.	Description
TLD0009	Pre-Program Dial	TLD0075	Handle Screw (B)	TLD0168	Pinion Gear
TLD0010	Body "O" Seal	TLD0076	Handle Screw (A)	TLD0172	"C" Lock
TLD0011	Lever Shaft Body	TLD0078	Gear Shaft Shield	TLD0173	Main Shaft
TLD0013	Lever Click Spring	TLD0079	Gear Shaft Thrust Washer	TLD0174	Spool
TLD0014	Click Spring Screw	TLD0082	Dial Spring	TLD0192	Lever Quadrant
TLD0017	Pressure Spring	TLD0083	Drag Control Lever	TLD0193	One-Piece Body
TLD0018	"C" Lock	TLD0084	Lever Thrust Ring	TLD0194	Harness Lug
TLD0019	Quadrant Anchor Bolt	TLD0085	Strike Stop	TLD0196	Pinion Guard
TLD0021	Quadrant Screw	TLD0086	Bolt Shield	TLD0202	Pressure Release Spring
TLD0024	Side Plate Bolt	TLD0087	Free Spool Detent	TLD0208	Handle
TLD0025	Dog Spring	TLD0089	Cooling Shield	TLD0212	Ball Bearing
TLD0026	Dog	TLD0091	Drag Plate	TLD0215	Ball Bearing
TLD0027	Dog Spring Retainer	TLD0093	Titanium Drag Washer	TLD0216	Ball Bearing
TLD0031	Seal Lock	TLD0096	Pre-Load Spring B	TLD0231	Click Pawl
TLD0046	Cross Pin A	TLD0097	Pre-Load Body	TLD0232	Click Button
TLD0047	Spacer A	TLD0098	Click Gear		
TLD0050	Cross Pin B	TLD0099	Click Gear Screw		
TLD0052	Click Pawl Washer	TLD0101	Click Spring		
TLD0053	Click Button Washer A	TLD0102	Line Guard	TLD0226	Rod Clamp Bolt (accessory)
TLD0056	Click Spring Screw	TLD0104	Cross Bar	TLD0227	Rod Clamp Nut (B) (accessory)
TLD0058	Spacer B	TLD0105	Cross Bar Bolt A	TLD0228	Rod Clamp (accessory)
TLD0060	Pre-Load Spring A	TLD0106	Cross Bar Bolt B	TLD0229	Rod Clamp Nut (A) (accessory)
TLD0072	Pre-Load Washer A	TLD0165	Side Plate		
TLD0073	Click Button Washer B	TLD0166	Main Gear	TLD0230	Wrench (accessory)