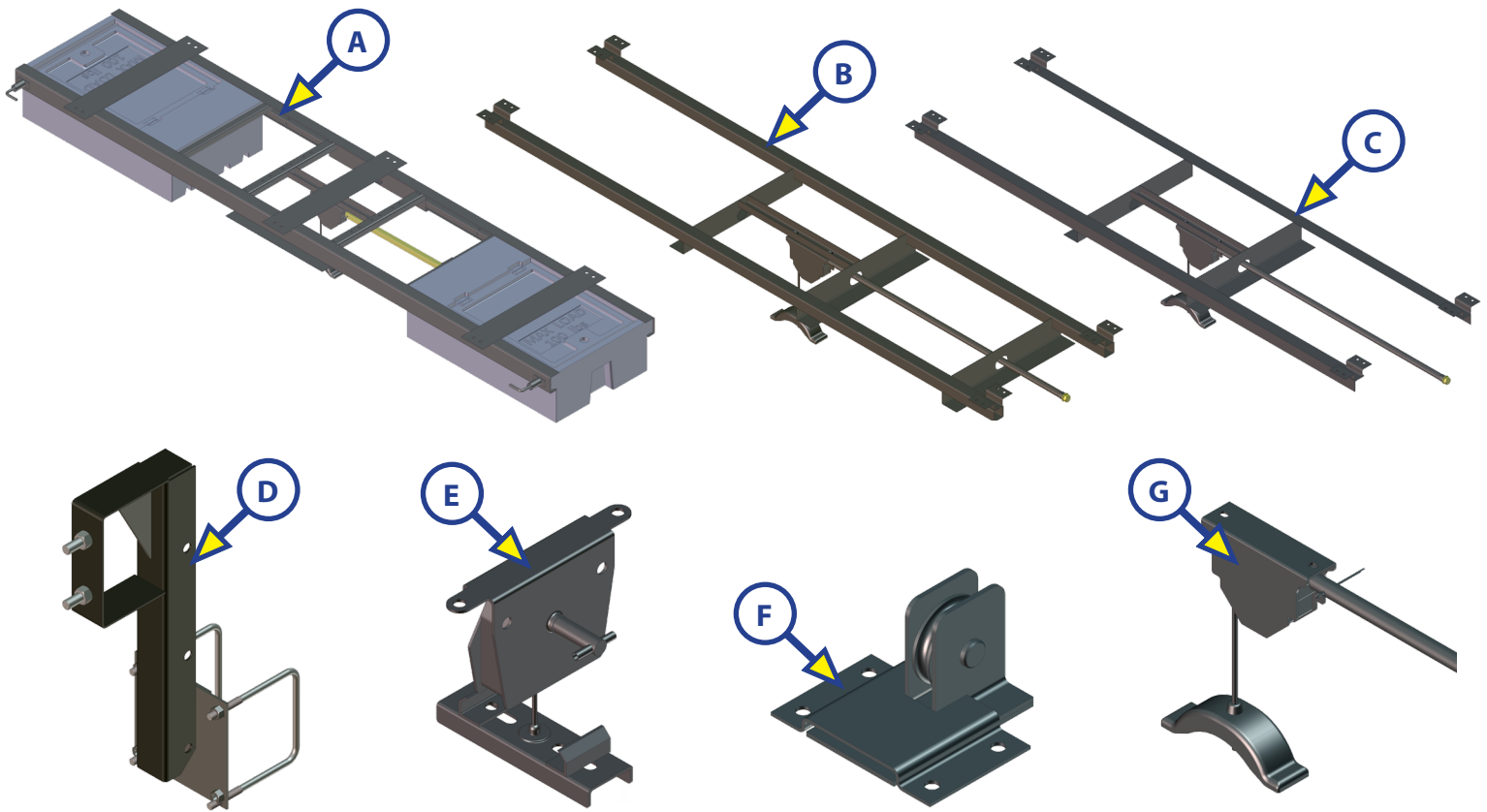




LIPPERT  
COMPONENTS

# SPARE TIRE AND WINCH COMPONENTS

## STORAGE AND CONVENIENCE



Callout	Part #	Description
A	<a href="#">125460</a>	Sliding Spare Tire Rack with Crank Handle and Reach Rod
B	<a href="#">216793</a>	Spare Tire Carrier Winch and Extension
C	<a href="#">146384</a>	Spare Tire Carrier
	<a href="#">159041</a>	Spare Tire Carrier with Offset Winch
D	<a href="#">202403</a>	Spare Tire Carrier Bumper Mount
	196297	Spare Tire Carrier Hitch Mount
E	131560	Spare Tire Winch with Roll Pin
F	<a href="#">252102</a>	Winch Roller
G	<a href="#">139211</a>	Winch Assembly with 21 3/4" Extension
	<a href="#">139200</a>	Winch Assembly with 24" Winch Crank Extension
	<a href="#">159491</a>	Offset Winch with 25" Extension
	<a href="#">164898</a>	Offset Winch with 35 1/2" Extension
	<a href="#">166781</a>	Offset Winch with 18 3/4" Extension
	<a href="#">163421</a>	Offset Winch with 16" Extension and Cotter Pin
	<a href="#">163422</a>	Offset Winch with Spiral Pin
	<a href="#">178746</a>	Offset Winch with Roll Pin
	<a href="#">131556</a>	Spare Tire Winch
<a href="#">159056</a>	Spare Tire Winch with Offset Cable	

Contact us: Lippert Components Inc. - [www.lci1.com/customerservice](http://www.lci1.com/customerservice) - Phone: (574) 537-8900 - Email: [warranty@lci1.com](mailto:warranty@lci1.com)