

## LEVELING AND STABILIZATION

Fig. 1



Fig. 2

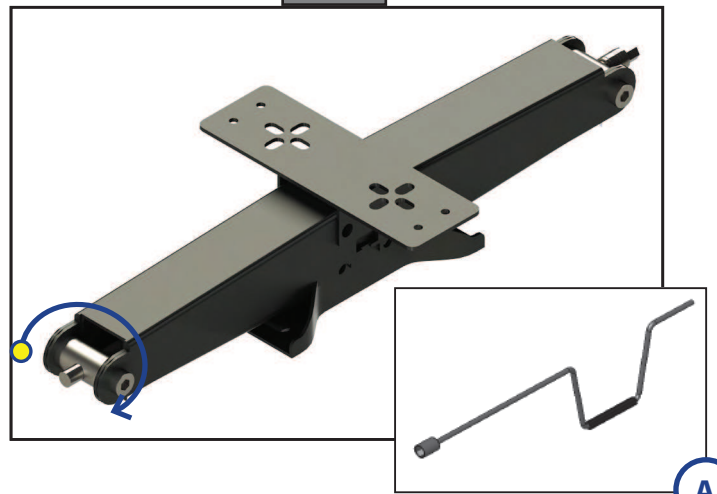


Fig. 3

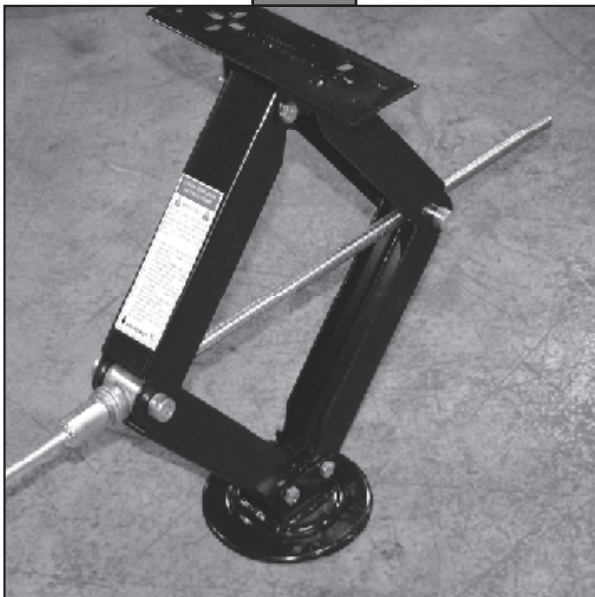
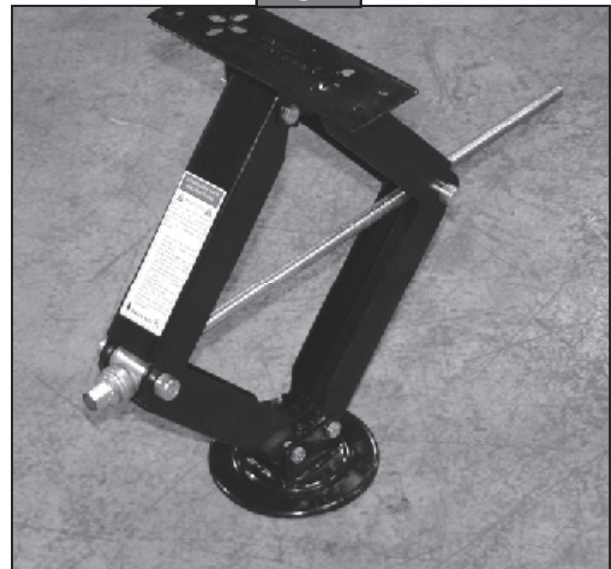


Fig. 4



1. Start with LCI Scissor Jack in retracted position (Fig. 1).
2. Place hex head couple on hex head of scissor jack (Fig. 2). Rotate crank handle (Fig. 2A) clockwise to extend scissor jack.
3. Rotate crank handle until scissor jack reaches desired height (Fig. 3).
4. Remove crank handle when jack reaches desired height (Fig. 4).

**NOTE:** Use only supplied handle to raise and lower jack. Use of cheater bar, impact wrench or any power wrench or drill to raise or lower the jack is strictly prohibited and will void the warranty.

**NOTE:** These jacks are not intended to lift nor level the unit, they are only for stabilization improvement.

As a supplier of components to the RV industry, safety, education and customer satisfaction are our primary concerns. Should you have any questions, please do not hesitate to contact us at (574) 537-8900 or by email at [customerservice@lci1.com](mailto:customerservice@lci1.com). Self-help tips, technical documents, product videos and a training class schedule are available at [www.lci1.com](http://www.lci1.com) or by downloading the MyLCI app.