

# COMBO15 – 2 in 1 Watering Set For Garden Hose

## Manual Instructions



### Before installation

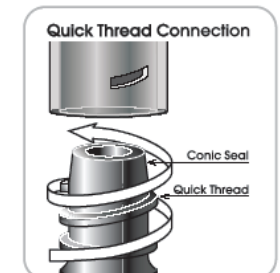
1. **QuickUp** garden hose connector, is compatible with any garden hose with diameters of 1/2" (12.5mm) and 5/8"(15mm)
2. **QuickUp** garden hose connector , can be rolled with the hose on any hose reel for length above 25m or 80ft, of 1/2" / 12.5mm hose.
3. The **QuickUp** connectors of the sprinklers pipes, are made to stand in water pressure up to 4 bars / 60 psi. In case of higher pressure in the water source, it is recommended to install on the tap, a pressure reducer, in order to fix the pressure accordingly. For drip line system layout, connect the 3/4" Pressure Reducer between the water tap and the leader hose.
4. The leader hose between the tap and the hose reel, has to be in maximum length of 20m / 66 ft (1/2" / 12.5mm) or 30m / 100ft (5/8" / 15mm).
5. You may use the system with your garden hose only, without rolling the hose on a reel.

### Installation steps for sprinkler set








1. Connect your hose reel to the water tap. See "Before installation" No. 4.  
Max.: 4 bars / 60psi  
Ø: 1/2", 5/8", 3/4"
2. Lay the watering hose according to any of the area shape. Select one of the drawing (A-D) that is in similar shape to your specific watering area.  
max 20m/65ft  
1/2"-5/8"
3. Plan the sprinklers location points. Cut the hose in spacing of 2.5-3m (8-10ft) for the sprinklers or according to the row plants for the drip line.  
2.5m - 3m  
8-10ft  
2.5m - 3m  
8-10ft
4. Connect the **QuickUp** connectors (A), by pushing the hose into the connector inlets, while the nut is not tightened . Ensure pushing the hose into the connector till the inner stopper. In case of using hose 5/8" / 15mm, be careful to keep the connector teeth steady, while inserting the hose.  
1/2" / 5/8"  
1/2" / 5/8"
5. Place the Sprinkler stand (B) in place and strength push the 4mm pipe adaptor, into the **QuickUp** connector outlet (See arrow).
6. Connect the Stop connector (C) to the line end, in similar way as explained in figure 4. The automatic stopper allow water releasing from the hose before rolling.  
0.3m/1ft  
Stop
7. This figure describing the option to roll the hose with the connectors, while you move the system to other area or for storing.

### Using additional accessories for the sprinklers set

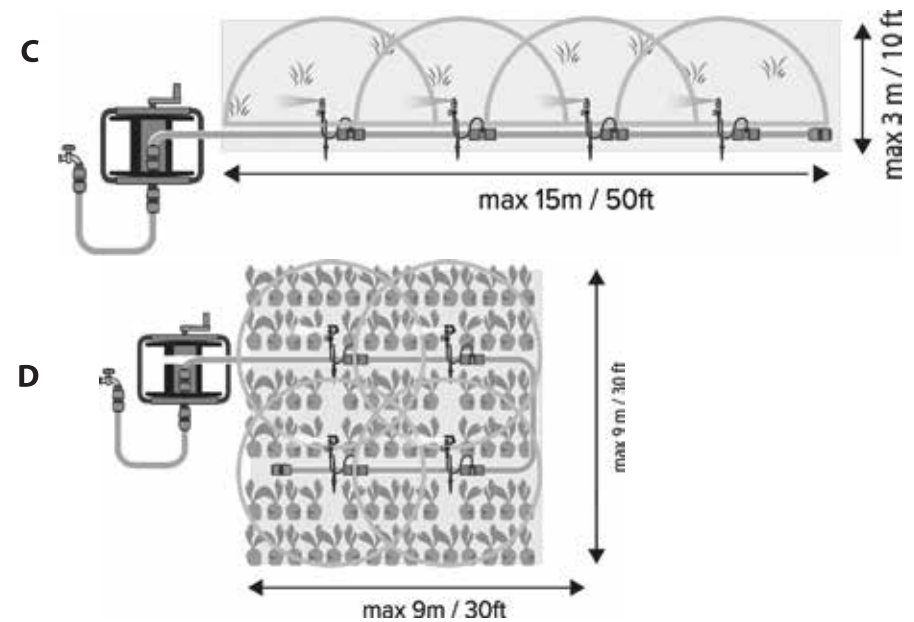
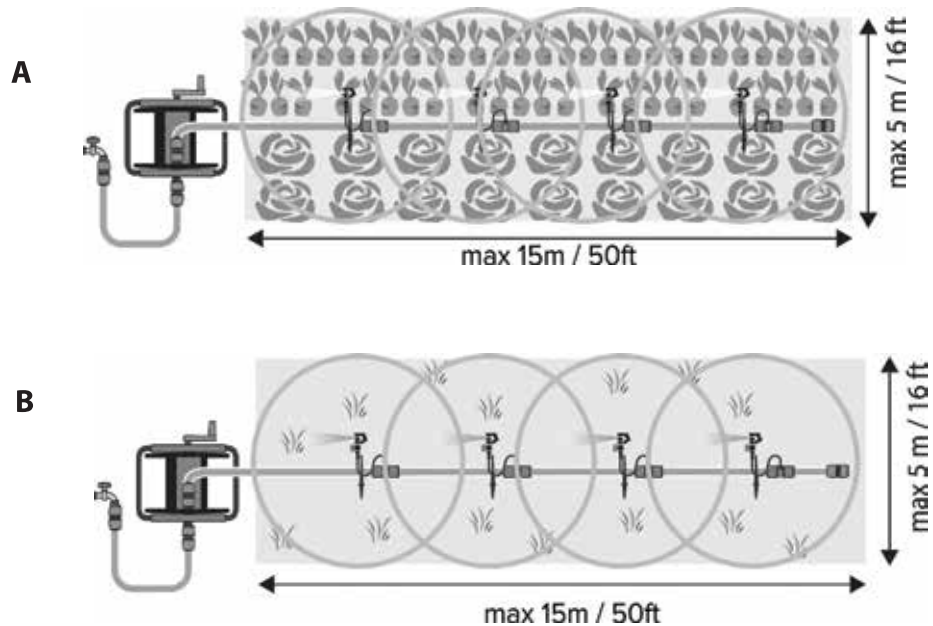
1. Use the additional nozzles for different watering arc, in order to prevent watering outside of the lawn or vegetable area, and to ensure high watering uniformity.
2. Install the sprinkler valve (Figure D), if you intend to control the valves by close/open or by radius increasing function. Install according to figure I.
3. In case of accurate watering from the area borderline (drawing C), use 180° (figure E) and 90° (figure F) nozzles. Install according to figure I.
4. Use, the plug (figure G) to shut-off unused **QuickUp** outlets.



## Sprinkler Contents Set

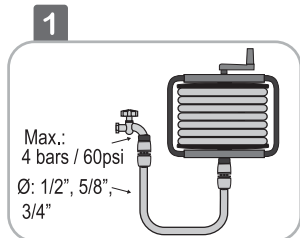
<p><b>A</b> <b>x4</b></p>  <p>QuickUp Hose quick connector Conector rápido QuickUp para manguera QuickUp raccord rapide pour tuyau</p>	<p><b>B</b> <b>x4</b> (13 pcs) <b>360°</b></p>  <p>Sprinklers Apersores Arroseurs</p>	<p><b>C</b> <b>x1</b></p>  <p>Hose end quick connector with Waterstop Conector rápido para manguera con tope de agua Raccord rapide pour tuyau avec aquastop</p>	<p><b>D</b> <b>x4</b></p>  <p>Micro Sprinkler Micro Aspersor Micro-arroseur</p>	<p><b>E</b> <b>x4</b> <b>180°</b></p>  <p>Nozzle sprinkler Boquilla de aspersor Tête de micro-sprinkler</p>	<p><b>F</b> <b>x4</b> <b>90°</b></p>  <p>Nozzle sprinkler Boquilla de aspersor Tête de micro-sprinkler</p>	<p><b>G</b> <b>x4</b></p>  <p>Plug QuickUp Cravate en caoutchouc QuickUp Tapón QuickUp</p>
---	--	---	--	--	---	---

## Customize the system to your garden or lawn shape

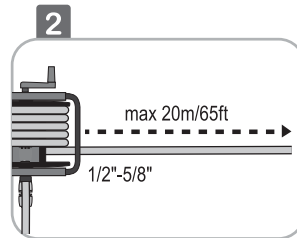


## Installation steps for drip line set

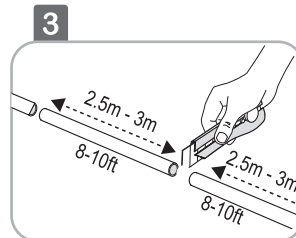
### Option No. 1: Garden hose with drip line branches



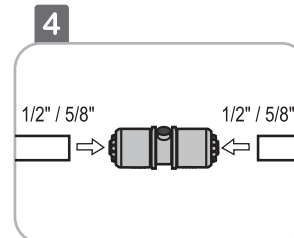
1. Connect the 3/4" Pressure Reducer (Figure A) to the water tap and connect your leader hose with 3/4" adaptor to the pressure reducer. Connect the other end to your hose reel.



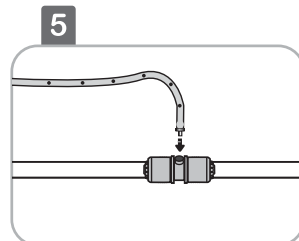
2. Lay the garden hose according planted area. See drawing E .



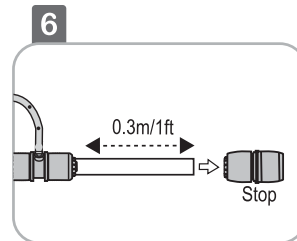
3. Plan the drip lines start points according to the plant rows layout. Cut the hose according to the drip lines start points.



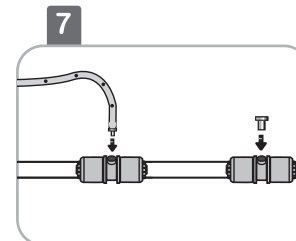
4. Connect the **QuickUp** connectors (Figure B), by pushing the hose into the connector inlets, while the nut is not tightened . Ensure pushing the hose into the connector till the inner stopper. In case of using hose 5/8" / 15mm, be careful to keep the connector teeth steady, while inserting the hose.



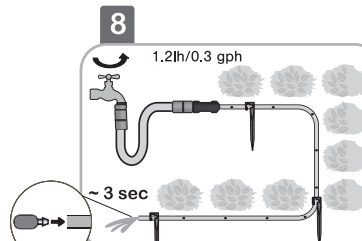
5. Cut the 8mm drip line (Figure C) to branches according to the layout. Attach the barb side of a 8mm Start adaptor (Figure D), into the each drip line branch start point and attach the conic side into the QuickUp connector outlet.



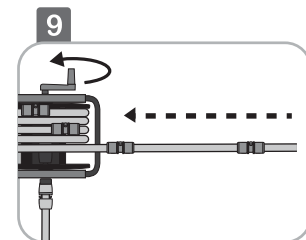
6. Connect the Stop connector (Figure E) to the line end, in similar way as explained in figure 4. The automatic stopper allow water releasing from the hose before rolling.



7. Use, the **QuickUp** plug (Figure F) to shut-off unused **QuickUp** outlets. Use the 8mm Joiner (Figure G) as a repair connector for the drip line, if it is necessary.



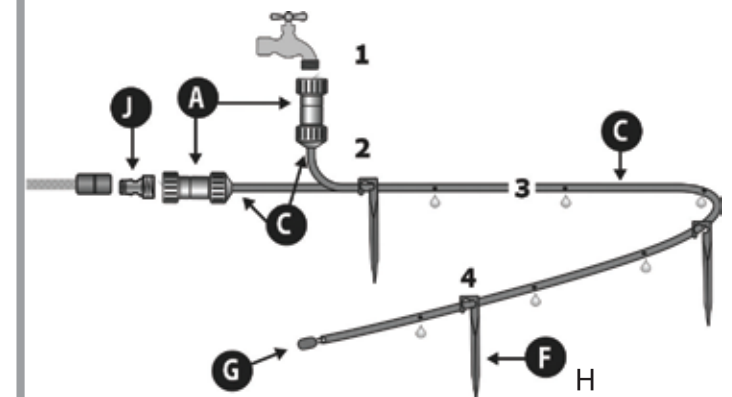
8. Place the 8mm Spikes (Figure H) along the drip lines. Open the water tap for line flushing of 3 seconds. After the flushing close the drip line ends with the 8mm black plug (Figure I) and begin watering



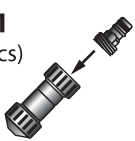

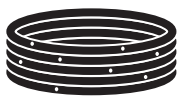







9. This figure describing the option to roll the hose with the connectors, while you move the system to other area or for storing.

### Option No. 2 and 3

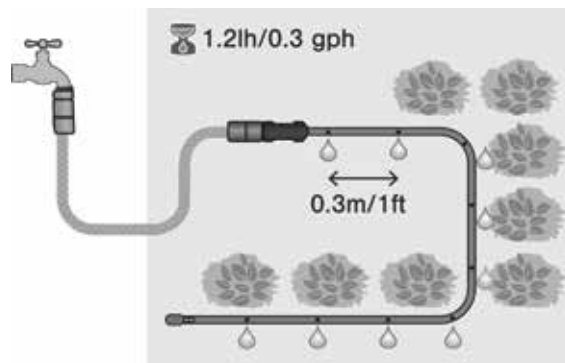
1. Connect the Pressure Reducer (A) to the tap . When connecting the drip line system to a garden hose end, use the 3/4" Male Hose Quick Connector (J) as shown in the diagram.
2. Attach the barb side of a 8mm Start adaptor (Figure D), into the drip line start point and attach the conic side into the Pressure Reducer (A) outlet.
3. Lay the 8mm Dripline (C) as shown in the diagram or according to your watering area.
4. Place the 8mm Spikes (Figure H) along the drip lines.
5. Open the water tap for line flushing of 3 seconds. After the flushing close the drip line ends with the 8mm black plug (Figure I) and begin watering.
6. Use the 8mm Joiner ( Figure G) as a repair connector for the drip line, if it is necessary.



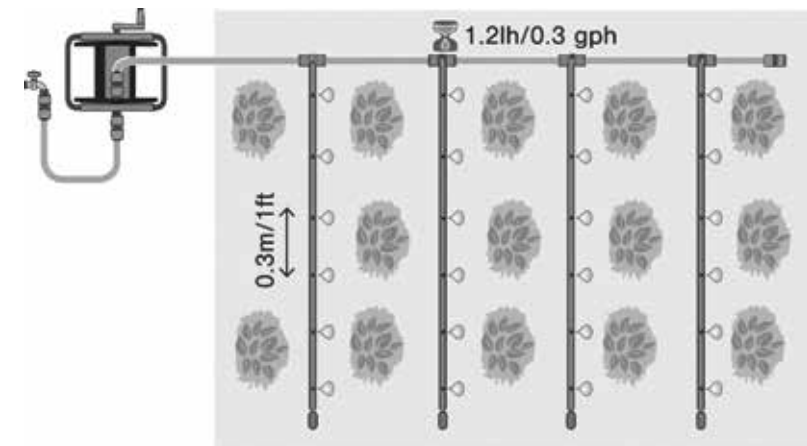
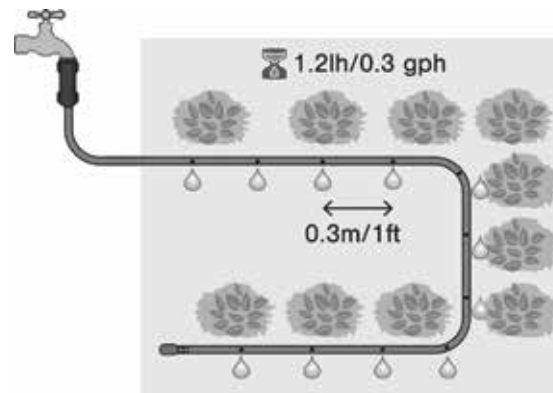
## Dripline Set Contents

<p><b>A</b> <b>x1</b> (3pcs) <b>3/4" - 25 psi</b></p>  <p>Pressure regulator Regulador de Presión Régulateur de Pression + Garden hose connector Conector de manguera de jardín Connecteur pour tuyau de jardinage</p>	<p><b>B</b> <b>x4</b></p>  <p>QuickUp Hose quick connector Conector rápido QuickUp para manguera QuickUp raccord rapide pour tuyau</p>	<p><b>C</b> <b>x1</b> <b>82ft/25m</b></p>  <p>Dripline 8mm Línea de goteo 8mm Line de goteadores 8mm</p>	<p><b>D</b> <b>x4</b></p>  <p>Start Adaptor 8mm Adaptador de Inicio 8mm Commencer Adaptateur 8mm</p>	<p><b>E</b> <b>x1</b></p>  <p>Hose end quick connector with Waterstop Conector rápido para manguera con tope de agua Raccord rapide pour tuyau avec aquastop</p>
<p><b>F</b> <b>x4</b></p>  <p>Plug QuickUp Cravate en caoutchouc QuickUp Tapón QuickUp</p>	<p><b>G</b> <b>x5</b></p>  <p>Joiner 8mm Conector 8mm Raccord 8mm</p>	<p><b>H</b> <b>x10</b></p>  <p>Spikes 8mm Estacas 8mm Piques 8mm</p>	<p><b>I</b> <b>x4</b></p>  <p>Plug 8mm Tapón 8mm Bouchon 8mm</p>	<p><b>J</b> <b>x1</b> <b>3/4"</b></p>  <p>Quick connector - male Conector rapido - macho Raccord rapide mâle</p>

## Customize the system to your garden or lawn shape



**Option No.2 and 3**



**Option No.1**

## **Winterizing of Elgo Micro Irrigation Kit Combo15:**

Winterizing your Elgo micro irrigation system is fast and easy when you follow these simple steps.

In general, though the polyethylene tubing found on most micro irrigation systems has the ability to expand and contract, winterizing your system is necessary to protect the hard plastic and metal components that are normally present.

### **Winterizing steps:**

1. Shut off the main water supply and remove the faucet assembly (timer, filter, backflow, pressure regulator, etc.) at the start of the system. These components should be drained and brought indoors to protect them from freezing.
2. Remove the dripline start adaptor and the micro sprinklers tube adaptors from the QuickUp connectors.
3. Drain the garden hose, roll it on the hose reel and store indoor with the micro sprinkler assemblies.
4. Remove all end fittings to drain the driplines. Slightly elevate the lines to make sure they are drained.
5. After the lines have drained, make sure to replace all end fittings. The beginning of the system where the faucet assembly was removed should be sealed off as well.
6. When restarting the system for the new growing season make sure to tighten all end caps and check for leaks or any damage that may have occurred over winter.

## **Instrucciones para El kit de Micro Riego Combo15 de Elgo en invierno:**

Preparar vuestro Kit de micro riego Elgo para el invierno es fácil y sencillo al seguir los pasos siguientes.

En general, a pesar que la tubería de polietileno que se encuentra en la mayoría de los sistemas de micro riego tiene la habilidad de expandirse y contraerse, el prepararlo para el invierno es necesario para proteger los componentes de plástico duro y los de metal que están presentes generalmente.

### **Los pasos de preparación para el invierno:**

1. Cierre la fuente de agua principal y remueva el conjunto del grifo (reloj, filtro, válvula de reflujo, regulador de presión, etc.) al comienzo del sistema. Estos componentes deben ser drenados e introducidos dentro de la casa para protegerlos de congelamiento.
2. Remueva los adaptadores de comienzo de la línea de goteo y los adaptadores de tubo de los micro aspersores de los conectores rápidos.
3. Drene la manguera de jardín, enróllala en el porta manguera y almacénala dentro con los conjuntos de micro aspersores.
4. Retire todos los accesorios terminales para drenar las líneas de goteo. Ligeramente eleve las líneas para asegurarse que han sido drenadas.
5. Luego de drenar las líneas, asegúrese de reemplazar todos los accesorios terminales. El comienzo del sistema donde se había removido el conjunto del grifo debe ser también sellado.
6. Al empezar de nuevo el sistema para la nueva estación de cultivo asegúrese de ajustar todas las tapas de los extremos y verifique que no hayan fugas o ningún daño que pueda haber acontecido en el invierno.

## **Préparation pour l'hiver du Kit Combo15 de micro irrigation Elgo :**

La préparation pour l'hiver de votre système de micro irrigation Elgo est simple et rapide et est effectuée selon les étapes qui suivent.

En règle générale, bien que le tuyau en polyéthylène que vous trouvez sur la plupart des systèmes de micro irrigation a la capacité de s'allonger et de se contracter, la préparation de votre système pour l'hiver est nécessaire pour protéger les éléments de plastique rigide et de métal qui en font partie.

### **Étapes de préparation pour l'hiver :**

1. Coupez l'alimentation principale en eau et enlevez l'ensemble du robinet (minuteur, filtre, retour d'eau, régulateur de pression, etc.) au début du système. Ces éléments doivent être vidangés et entreposés en intérieur pour les empêcher de geler.
2. Retirez l'adaptateur de début de ligne d'arrosage et les adaptateurs du tuyau des micro-arroseurs des connecteurs QuickUp.
3. Vidangez le tuyau d'arrosage, rembobinez-le et stockez-le en intérieur avec les ensembles de micro-arroseurs.
4. Retirez tous les embouts pour vidanger les lignes d'arrosage. Élevez légèrement les lignes pour faire en sorte qu'elles soient vidangées.
5. Une fois les lignes sèches, remettez en place tous les embouts. Le début du système d'où l'ensemble du robinet a été retiré doit également être scellé.
6. Lors du redémarrage du système au début de la nouvelle saison de culture, serrez bien tous les embouts et assurez-vous de l'absence de fuites ou d'autres dégâts pouvant être survenus en cours d'hiver.