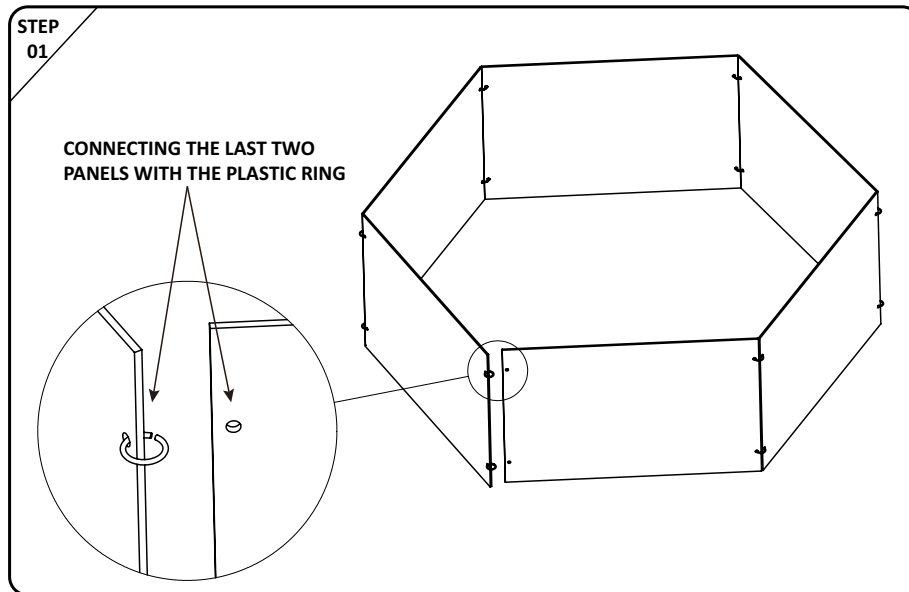
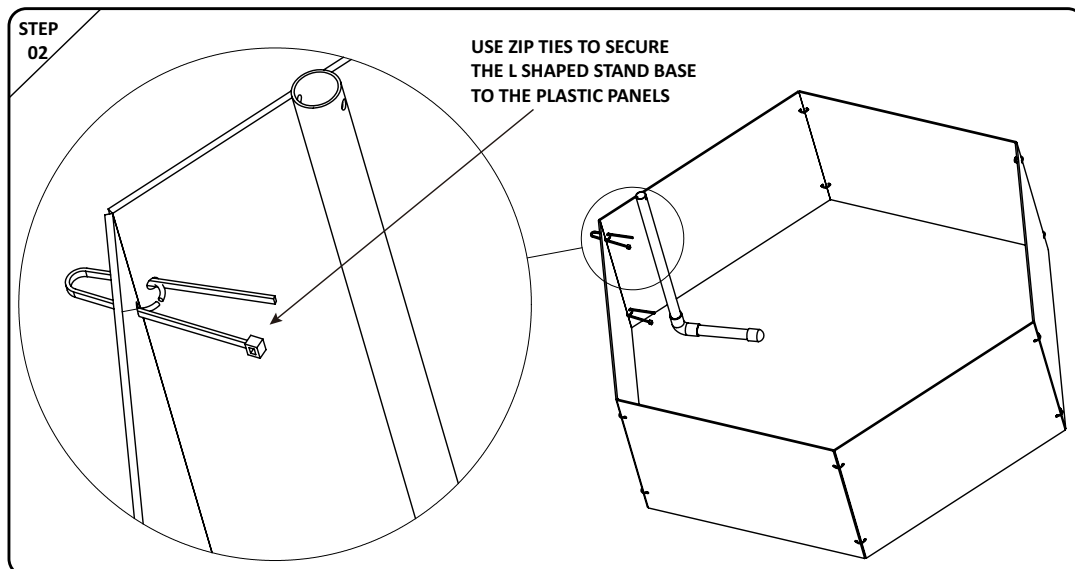


CHICK CORRAL

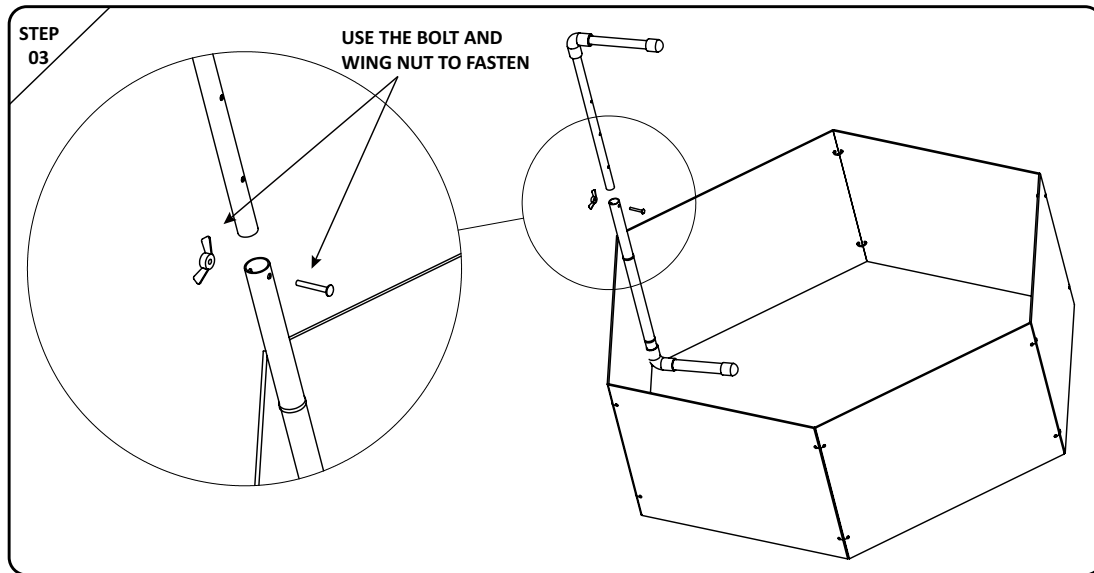
ASSEMBLY INSTRUCTIONS:



1. Unfold the pre-assembled panels and stand up on the floor, connect first panel to last panel using pre-attached plastic rings. (NOTE: Corral can be arranged into a hexagon or a rectangle.)
2. Place the L-shaped lamp stand base on the inside of the corral and secure with zip ties through the holes of the panel. Tighten zip ties to ensure the lamp stand base is secure.



3. Slide the telescoping arm into the base. Line up holes in telescoping arm. Use the bolt and wing nut to fasten pole segments together.



4. Arrange the chicken corral into a hexagon or a rectangle depending on your space available.

USEFUL TIPS FOR CHICK CARE:

1. The starting temperature should be around 95° F (35° C) directly under the lamp for the first week.
2. Temperature should be decreased by 5° F (-15° C) each week thereafter. The adjustable lamp stand allows you to raise or lower the heat lamp to increase or decrease the temperature needed.
3. Chicks huddling under the lamp would suggest that they are too cold, while panting or avoiding the lamp would suggest that they are getting hot. Adjust the lamp height accordingly.
4. Place the feeder and waterer at the opposite end of the brooder away from the heat lamp.
5. Pine shavings are recommended as bedding for chicks
6. Keep bedding clean and dry. Replace bedding at least once per week.