



PLEASE READ AND SAVE THESE INSTRUCTIONS

DOUBLE MOTOR PET DRYER

OWNER'S MANUAL

MODEL: B-27 (115V/60Hz)



XPOWER MANUFACTURE, INC.
220 Clary Avenue
San Gabriel, CA 91776, USA
Tel: 626-285-3301 Fax: 626-285-3302
www.xpower.ws



Nozzles
included

TABLE OF CONTENTS

Introduction	1
Operation	2
Specifications	2
Important Safety Instructions	3
Save These Instructions	4
Parts List	5
Maintenance	6
Warranty / Service	8
Warranty Registration Form	9

INTRODUCTION

The XPOWER B-27 Professional Double Motor Pet Dryer is the first addition to our new XPOWER X-TREME Line. Much like the B-5, the B-27 X-TREME Blaster was designed to be extremely quiet, lightweight and powerful. This 6HP double motor blaster provides 3x the power to dry pets quickly while saving you time— whether small or large breeds with short or long hair!

Special Features:

- Remarkably quiet.
- Powerful 6HP motor.
- Optimal Integration of motor and housing design.
- High impact and rugged ABS housing material.
- Easy-to-change and washable filters.
- Variable speed switch.
- 9 ft. heavy duty flexible PU hose.
- Heavy duty styling nozzles for different pet drying applications.
- Compact, lightweight and portable, ideal for professional grooming.

OPERATION

1. Place the dryer on a flat surface. Plug the electrical cord into a 3-prong GFCI outlet.
2. Connect the hose to the front hose connector and attach the desired nozzle. Turn on switch to desired speed. It is necessary to close the Bleed hole on hose while drying.
3. Unit in use must be monitored at all times.

SPECIFICATIONS

Volt / Cycle	115 V / 60 Hz
Horse Power	6 HP
Amp	20 A
Motor	Brush Double Motor
Max Airflow	180 CFM
Speeds Control	Variable
Unit Size	17.7 x 6.3 x 9.3 inch
Cord (Length / Dia)	10 ft / 14 AWG
Hose Length	8 ft / PU
Housing Material	ABS

SAFETY INSTRUCTIONS

WARNING: IMPORTANT SAFETY PRECAUTIONS!

When using electrical appliances, especially when children or animals are present, basic safety precautions should always be followed to reduce the risk of fire, electric shock, and personal injury, including, but not limited to the following:

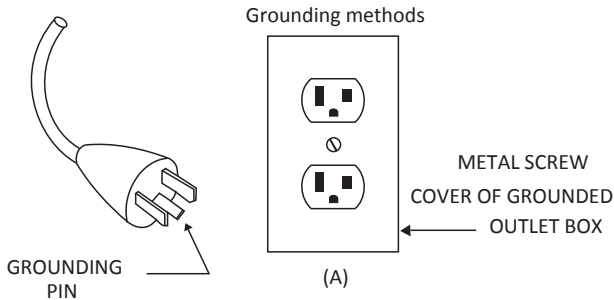
- Do not leave the dryer and animal unattended while the product is in use.
- Unplug dryer when not in use.
- Do not use extension cords with the product.
- Do not unplug unit by pulling on cord.
- Do not expose dryer to rain or water.
- Unplug unit before attempting any maintenance or service.
- Do not let air-intake get clogged.
- Do not direct dryer air towards eyes or ears of people or pets.
- Never use dryer with a damaged cord/plug or when unit has been dropped, damaged, or exposed to rain/water. Please call our Technical Department for service or repair.
- Do not use any other nozzles not intended for use with the dryer.
- Do not operate without filter in place. Keep filter clean, as a dirty filter limits air intake and may damage the motor or cause overheating.
- Plug only into a properly grounded receptacle. Always confirm that the amperage rating of the electrical outlet complies with the Dryer rating.
- Do not use product for anything other than its intended purpose.
- Do not attempt to perform any service or maintenance not outlined in the instruction manual.

SAVE THESE INSTRUCTIONS

HOUSEHOLD and COMMERCIAL USE

GROUNDING INSTRUCTIONS

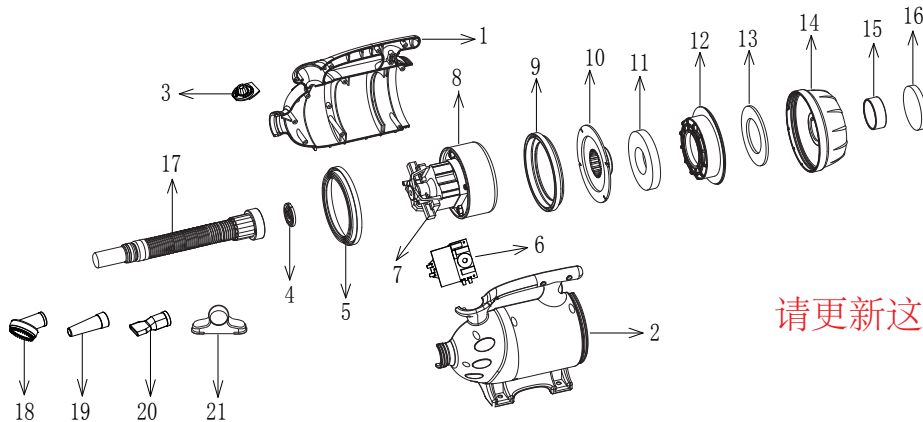
This appliance must be grounded. In the event of malfunction or breakdown, grounding provides a path of least resistance for electric current to reduce the risk of electric shock. This appliance is equipped with a cord having an equipment-grounding conductor and a grounding plug. The plug must be plugged into an appropriate outlet that is properly installed and grounded in accordance with all local codes and ordinances.



This appliance is for use on a nominal 115V circuit, and has a grounding plug that looks like the plug illustrated in sketch A. Make sure that the appliance is connected to an outlet having the same configuration as the plug. No adaptor should be used with this appliance.

PARTS LIST

1	Left Housing	8	Motor	15	Crossed cover
2	Right Housing	9	Motor rubber sleeve	16	Inlet filter
3	Switch	10	Dustproof cover	17	Hose </td
4	Air outlet grid	11	Motor filter	18	Round groomer rake
5	Motor rubber sleeve	12	Dust case	19	Cone nozzle
6	PCB board	13	Dust case filter	20	Flat nozzle
7	Brush	14	Rear cover	21	Square nozzle



请更新这部分内容

MAINTENANCE

Product Maintenance:

1. To keep the Pet Dryer clean, use a damp cloth to wipe the surface of the housing.
2. Never clean the unit with water.
3. When not in use, unplug and store the Pet Dryer in a dry indoor place and keep out of reach of children.
4. Always disconnect the unit from its power source before performing any maintenance.
5. Clean the filter as often as necessary to avoid loss of airflow.
6. Any other servicing should be performed by an authorized service representative.

Cleaning Dryer Dust Case, Rear Cover and Filters:

The Filter System for the XPOWER B-27 Pet Dryer (including dust case, rear cover and filters) should be kept clean regularly. If the dust case is full of dirt or the filters become heavily coated, the air output and input of your Dryer will reduce and this can cause damage to the motors or cause the motors to overheat. You should never operate the dryer without filters in place.

Service and / or replace the motor brush every 500 hours of use.

The motor brushes (pair) should be replaced after every 500 hours of use. We strongly recommend you have a professional or skilled person to replace the brushes, or contact XPOWER Services Dept.

IMPORTANT!

Always turn off the unit and disconnect from electrical outlet before cleaning.



1. Turn the rear cover counter-clockwise to remove the cover.



2. Take the complete set of dust case and rear cover out of the unit. Keep the rear cover on top so that the hair and dirt are in the dust case.



3. Dump the dirt out of the dust case.



4. Rinse all filters (motor filter, dust case filter, inlet filter) with water.
5. Reinstall in reverse order when all parts are completely dried.

XPOWER LIMITED WARRANTY

XPOWER warrants this product to be free from defects in material and workmanship for a period of one (1) year from the date of original purchase.

Wearable parts including but without limitation, filters, motor brushes, hoses and power cords are excluded from the warranty.

The liability of XPOWER is limited solely to the cost of the repair or replacement of the unit at XPOWER's discretion. This warranty does not cover normal wear of parts and does not apply to any unit that has been tampered with or used for commercial purposes. This limited warranty does not cover damage caused by misuse, abuse, negligent handling or damage due to faulty packaging or mishandling in transit. This warranty does not cover damage or defects caused by or resulting from damages from shipping or repairs, service or alterations to the product or any of its parts, which have been performed by a repair person not authorized by XPOWER.

SERVICE

For Warranty service and parts replacement, you must:

- A. Call 1-626-285-3301 for a RMA (Return-Merchandise-Authorization) number.
- B. Have original proof of purchase.
- C. Use the original undamaged packaging or an Industrial certified packaging method.

The end user will be responsible to ship back the unit (with RMA Number showing on the shipping label) to the XPOWER Service Department. XPOWER to inspect, assess and advise the repairs needed and the applicable cost.

WARRANTY REGISTRATION

Please complete and mail or fax for your product warranty. For multiple units, please list serial numbers on a separate sheet of paper.

Address: XPOWER MANUFACTURE, INC. 220 Clary Avenue San Gabriel, CA 91776, USA

Tel: 626-285-3301, Fax: 626-285-3302

Your Name / Company Name _____

Contact Name _____ Title _____

Address _____ City _____ State _____ Zip _____

Phone _____ Fax _____ E-mail _____

Forced Air Dryer + Vacuum Model # _____ **Serial # :** _____

Date of Purchase ____ / ____ / ____ **Purchased From** _____



From: _____



TO:
XPOWER MANUFACTURE, INC.
220 Clary Avenue
San Gabriel, CA 91776, USA
Tel: 626-285-3301, Fax: 626-285-3302

