

LBC-4SH - Stainless Steel 48" L x 46" H x 26-5/8" W LocBoard® Tool Cart with Aluminum Frame, 66 Hooks, 6 Bins

Read all instructions completely before installing. Should you have any questions about your installation, please call Customer Service at 440-248-5480

- Inventory and inspect all components before starting assembly (Use figure 1-1 page 3)
- Report Any Missing Parts and/or Damaged Goods within 5 Days from Receipt

QTY Description

- (1) Aluminum Bottom Tray
- (2) Left Hand Aluminum Corner Angle brackets
- (1) Right Hand Aluminum Corner Angle Bracket with 4 holes for handle attachment
- (1) Right Hand Aluminum Corner Angle Bracket without holes for handle attachment
- (2) Rail End Brackets interchangeable (Triangular with 4 preinstalled threaded fasteners)
- (1) Top Rail (48" Long)
- (1) Cart Handle
- (2) Fixed Casters
- (2) Swivel Casters
- (4) Stainless Steel LocBoard® Pegboard w/ square holes 24" X 42.5"
- (66) Assortment of LocHook® Pegboard Hooks
- (6) Medium 7-38"Lx4-1/8"Wx3"H Bins
- (24) 1/4"-20 X 3/4" Truss Head Bolts
- (8) 1/4"-20 x 3/8" Phillips Flat head w/ Under-Cut Head. (For attachment of corner angle brackets to FRONT of bottom tray.)
- (4) 1/4"-20 x 1/2" Tapered Phillips flat head screws. (For Handle Attachment.)
- (16) 12-24X 3/4" Socket Head Cap Screws (For Attachment of LocBoards.)
- (16) Flat Washers for Casters
- (16) 1/4" Locknut

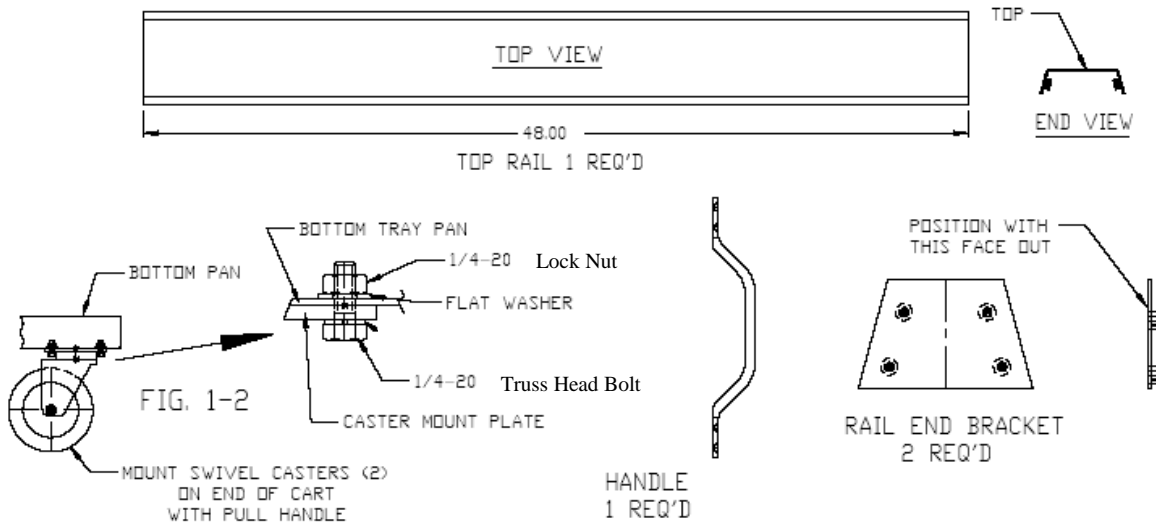
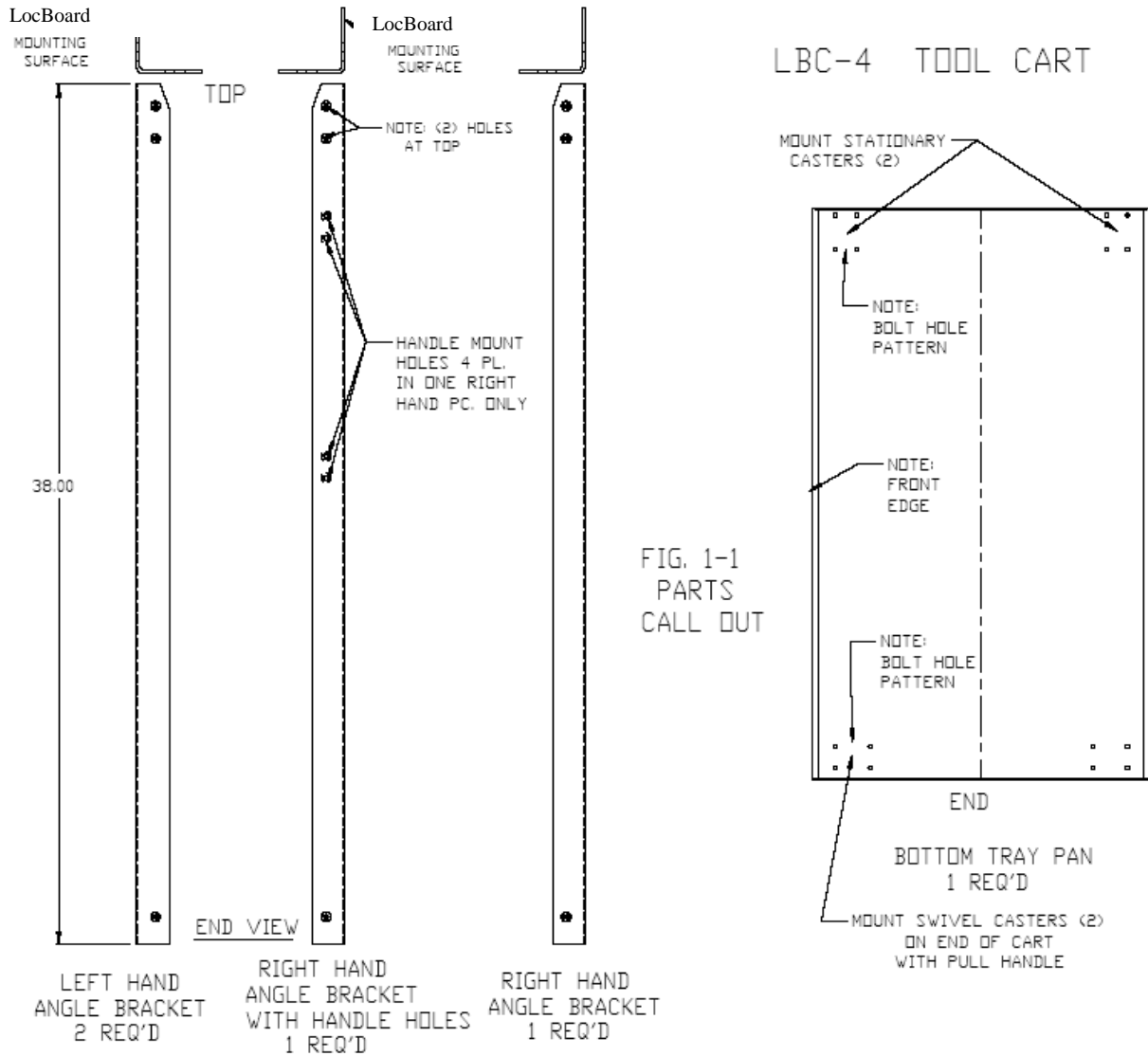
Note: While attaching components it's important to remember not to fully tighten any bolt until system is fully assembled. Freedom of movement will allow for proper alignment between bolts and their associated preinstalled threaded fasteners. Tapered Flat head screws with under-cut head used for attachment of corner angle brackets on the FRONT edge will be tightened just before installation of LocBoards®. For assembly purposes the END will always be the narrowest dimension of cart.

Assembly:

1. Locate the (4) corner angle brackets. Using Parts Call-Out figure 1-1 page 3, identify the left from the right brackets and their top edge from their bottom edge. The top's edge can be identified by the angle cut into each bracket and its 2 top bolt mounting holes when looking from the END view.
2. Position the bottom tray with the lip facing up and one end facing you. Special Note: the end of the bottom tray with caster mounting holes pattern running parallel to the end lip will be the end that you will mount swivel casters and right hand angle bracket with pull handle.
3. (Refer to Figure 2-1, 2-2 and 2-3) Note: All corner angle brackets will install outside of the bottom tray lip. Starting with a left corner angle bracket and using 1/4" hex truss bolt with washer align bottom bolt hole in angle bracket with pre-installed threaded fastener on the left end of bottom tray and insert bolt with hand

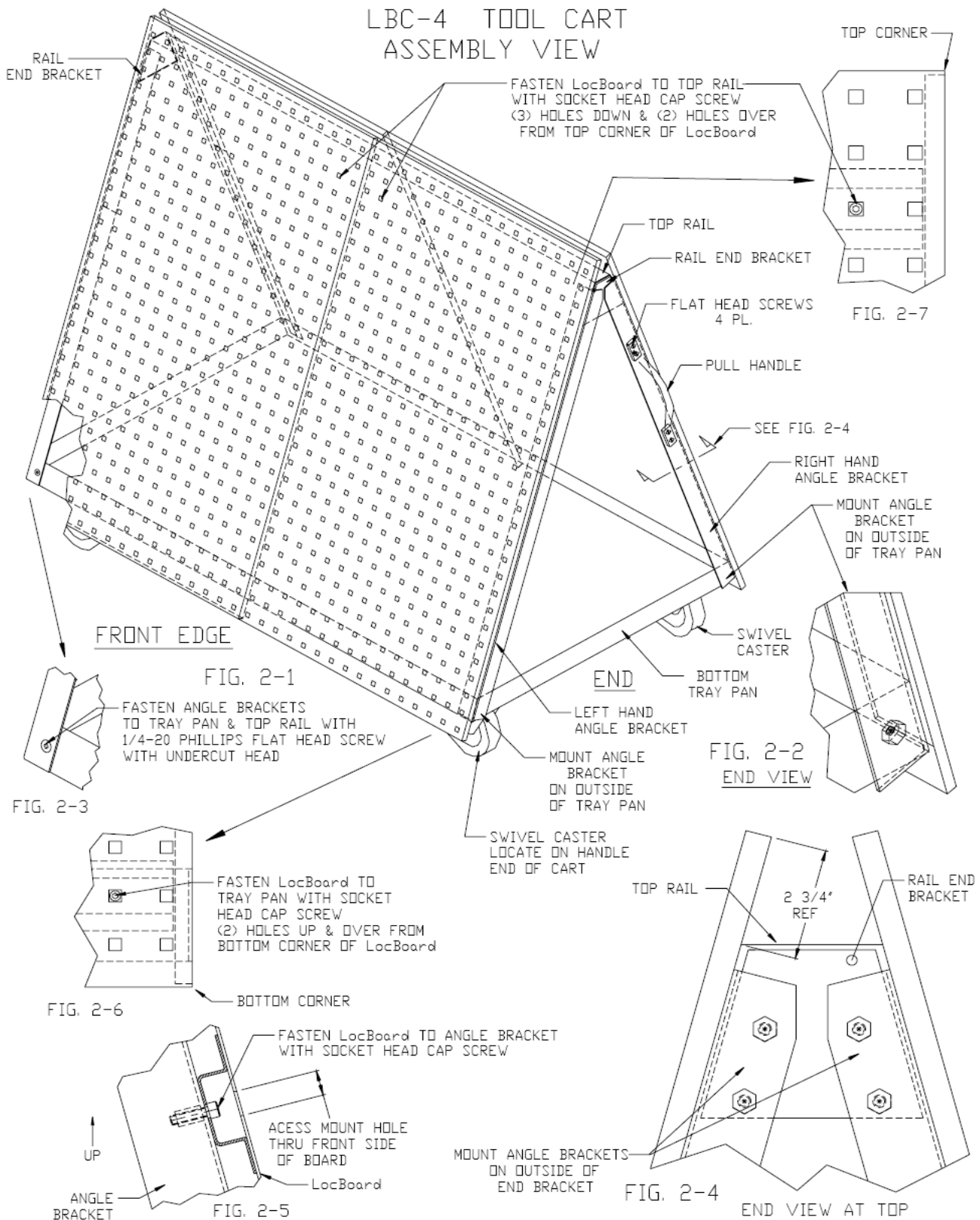
tighten (Do Not Tighten All The Way). From the front edge of the same angle bracket install a 1/4"-20x3/8" Phillips flat head screw with undercut head. (Repeat step #3 for each corner bracket.)

4. (Refer to Figure 1-1, 2-1 and 2-4) Installing Top Rail: Top rail will be positioned inside both sets of installed corner angle brackets at each end. From the front edge install 1/4"-20x3/8" tapered flat head screws with undercut head through top counter sunk holes on front side of each corner angle bracket and into preinstalled threaded inserts in the top rail and tighten. (Repeat step #4 for all top corners angle attachments to top rail.)
5. (Refer to Figure 1-1 and 2-4) Attaching rail end bracket to top rail and corner angle brackets; Position end bracket with taper facing up and preinstalled fasteners facing inward (flat surface of end bracket with the flat inside surface of angle brackets.) Slide end bracket in and behind both right and left corner angle brackets. Align the four bolt holes of each corner angle bracket with the preinstalled fasteners on rail end bracket. Install (4) 1/4" truss head bolts with and tighten partially. (Repeat step #5 for opposite end.)
6. (Figure 2-1 and 2-3) Tighten all (8) 1/4" tapered flat head screws on the front side used to attach corner angle brackets to top rail and bottom tray. (These will be the only screws tightened at this time. All end bolts must remain loose.)
7. (Figure 2-1) Pull handle installation: Locate the right corner angle bracket with the 4 extra fastener holes at the top. Install pull handle using 1/4" tapered head bolts. (Note: Handle will be positioned at end of tool cart that swivel casters will be installed on.)
8. (Figure 1-2 and 2-1) Installation of Casters: (Note: Bottom tray has two different bolt patterns for casters.) Swivel casters will be installed on the end of tool cart with handle and bolt patterns that are slightly inset and parallels the END section of the cart. With end of cart raised or laying on its side insert 1/4" truss head bolts with flat washer through bottom side of caster mount plate and through holes in bottom tray, install flat washer and secure in place using 1/4" lock nut. Tighten securely after all 4 bolts have been installed. (Repeat for each caster.)
9. (Figure 2-1, 2-4, 2- and 2-7) Installation of LocBoard: Before attaching LocBoards tighten Phillips flat head w/ under-cut head in all 4 corner angle brackets on both side of the cart. Each LocBoard has 2 internal ribbed support brackets welded on the backside with pre-punched mounting holes. Mounting holes will be accessed from the front side through the square holes in each board. You will be using only the top and bottom ribbed support brackets for this installation. (Using figure 2-4, 2-6 & 2-7) Identify board top from its bottom. From the front of the tool cart with smooth surface of LocBoard facing you, align top two mount holes (3 rows square hole down and 2 rows in from each edge) with the two preinstalled fasteners on the front edge of top rail. Using an Allen wrench, insert 12-24 X 3/4" socket head cap screw. (Make sure fasteners go in straight and turn without restriction. Avoid stripping while installing. You may have to move board slightly to allow screws to turn freely.) Tighten until screw head is just below surface of the board. Install (2) remaining bottom mounting screws in same manner. (Keep all screws loose until finished installing all (4) LocBoards.)
10. Once finished installing all (4) LocBoards, finish assembly by securely tightening all fasteners throughout assembled cart.



Please contact our Customer Service Division with any questions at:
 30700 D Carter Street · Solon, OH 44139 · (P) 440.248.5480 · support@tritonproducts.com

For a full line of products visit www.tritonproducts.com



Please contact our Customer Service Division with any questions at:
 30700 D Carter Street · Solon, OH 44139 · (P) 440.248.5480 · support@tritonproducts.com

For a full line of products visit www.tritonproducts.com