

## DB-4BK Kit - (4) 24x48 DuraBoard/96 Hook/8 Bin

**Read all instructions completely before installing. Should you have any questions about your installation, please call Customer Service at 440-248-5480**

### 1. Review Carton Contents: (2 Boxes Make Up This Kit)

- 4 Pcs. Polyethylene Pegboard 24" X 48" X 3/16" Thick
- 88 Pcs. Assortment DuraHook™ Locking Pegboard Hooks
- 8 Pcs. BinClips™ for hanging Plastic Bins
- 8 Pcs. Hanging Plastic Bins
- 120 Pcs. Lock Screws for hooks (short screws packaged separately)
- 32 Pcs. #12-2" long mounting screws
- 32 Pcs. #12 plastic wall anchors
- 32 Pcs. Metal wall mounts/spacers

**2. Wall Mounting Instructions:** *Polyethylene pegboards can be mounted to walls in separate locations, side by side horizontally or above one another vertically.*

- A) Determine the location or locations where you want to mount your new storage system.
- B) Determine if you want to mount boards (a.) side by side horizontally (b.) above or below one another, or (c.) in different locations from each other.
- C) Using one sheet of the Polyethylene Pegboard (DuraBoard™) determine the location and height you wish to mount your storage system.
- D) (Using diagram 1-1) Hold one sheet of Polyethylene Pegboard flat against the wall surface, use level to make sure board is level and square.
- E) (Using diagram 1-1) While still holding pegboard flat against wall level and using a pencil, make a circular trace inside of all (8) hole locations using diagram 1-1. (If planning to mount boards in totally separate locations go on to step (H))
- F) If you're planning to mount the second pegboard directly to the side or above or below the first: Hold the first pegboard flat against the wall while making sure all 8 traced holes are still aligned with appropriate holes in pegboard. Using a pencil, trace the outer edge of the board you're planning to mount the second board against.
- G) If mounting side by side or above or below one another: use the second board in your kit, align outer edge with the pencil mark created in step (F). **Do not cover up pencil mark with board.** Mark hole locations as called out in step (E).
- H) Using an electric drill with 5/16" drill bit, drill hole locations marked in step (E) and (G). Should any hole location fall in line with a wood wall stud, it will not be necessary to pre-drill.
- I) Gently insert plastic wall anchors into holes pre-drilled in step (H.) (You will not need to install plastic wall anchors where wall studs are located or when installing on solid wood surfaces. **Wall anchors will be required for all concrete walls.**)
- J) Using your first pegboard sheet Insert all eight (8) #12- 2" wood screws through the pegboard holes specified in diagram 1-2.

- K) Slip steel wall spacers over each screw from the back of the pegboard as shown in diagram 1-3.
- L) Insert each screw into its pre-installed wall anchor or assigned hole location. Using a #2 Phillips head screwdriver and starting from one of the top corner hole locations insert screws halfway. (This will leave you enough play/flexibility to insert each screw properly.)
- M) Once all 8 wood screws have been installed halfway, tighten all screws down to a point that all spacers are snug against wall surface. (Always Avoid Over Tightening of Any Screw.)

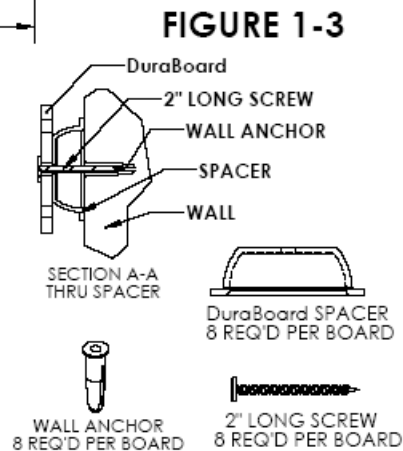
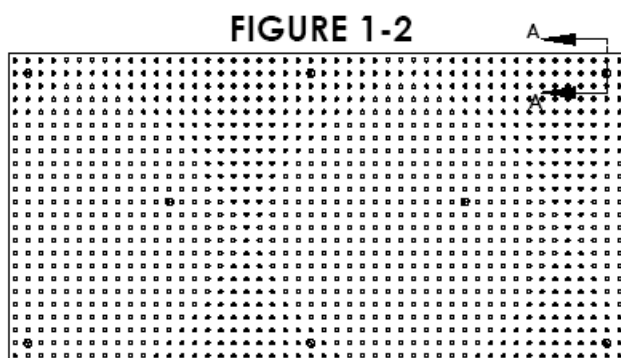
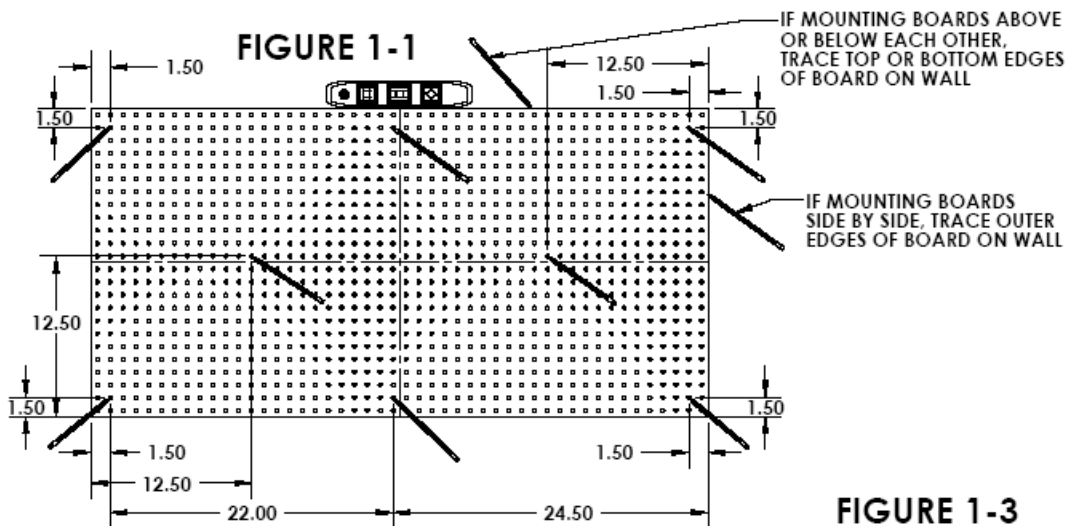
Repeat installation Steps for remaining pegboard panels

### 3. Hook Installation: (Using a hand held Phillips head screwdriver)

- A) Insert the hook engaging tab through any hole in the DuraBoard.
- B) Align the hook screw hole with second hole in the DuraBoard.
- C) Lock the DuraHook in place using the short Philips head screws with a hand held screwdriver (**non-powered.**) Do not use 2" long wood screws as these are part of the mounting hardware for the DuraBoard.
- D) **Do not over tighten screws used for mounting DuraHooks.**

Note: All hooks can be mounted horizontally or vertically to store items and can be combined with one another to create storage solutions for heavier, long, and odd shaped items and tools.

**Liability:** Triton Products liability is limited to 100% of the purchase price of the product.



Please contact our Customer Service Division with any questions at:  
 30700 D Carter Street · Solon, OH 44139 · (P) 440.248.5480 · [support@tritonproducts.com](mailto:support@tritonproducts.com)

For a full line of products visit [www.tritonproducts.com](http://www.tritonproducts.com)