



SKU: 1212784


## 71"x31" Wooden Planter with Liner

(70.8in. L x 31.4in. H x 31.1in. W x 15.9in D)



**Distributed by:**  
**TRACTOR SUPPLY COMPANY**  
**5401 VIRGINIA WAY,**  
**BRENTWOOD, TN 37027**  
**For customer support, call: 1-888-376-9601**  
**[www.TractorSupply.com](http://www.TractorSupply.com)**  
**MADE IN CHINA**

## SAFETY INFORMATION:

 CAUTION: Please keep children out of assembly area during assembly.

 CAUTION: Do not stand on the planter. Do not sit on the planter.

## BEFORE YOU BEGIN:

Read instruction prior to assembly. This product contains parts that can be damaged if incorrectly assembled. Please follow instructions. For steps where parts are placed upside down, place parts on a smooth surface to avoid scratching finish. Flatten cardboard from carton to create a smooth work surface.

## PRE-ASSEMBLY:

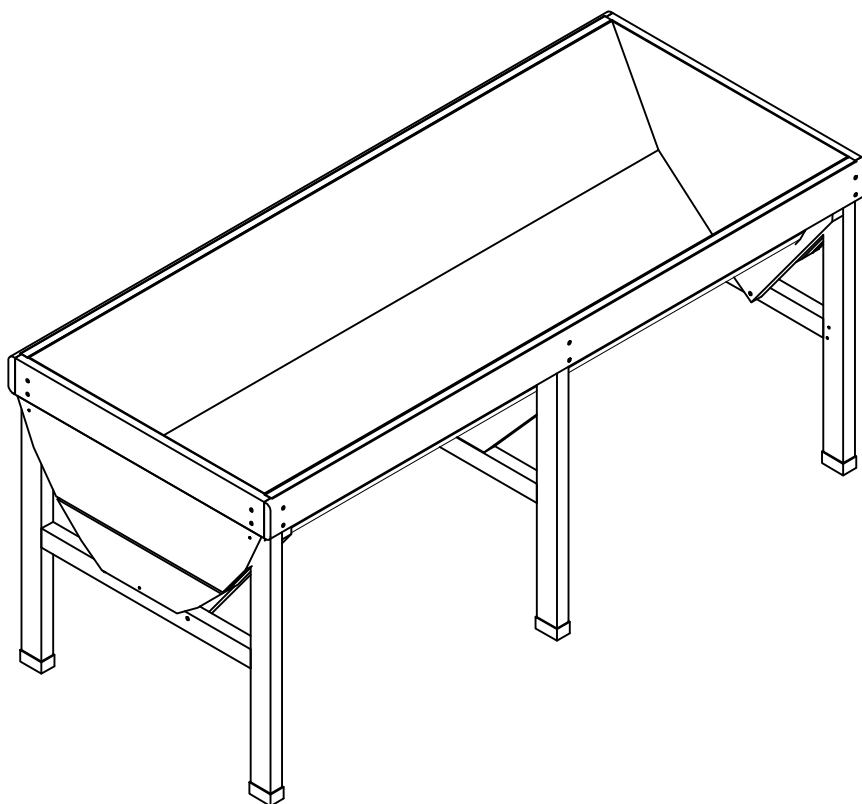
*TOOLS REQUIRED (not included):*

- *Screw Gun with Phillips Head Bit*
- *Adjustable Wrench*
- *Hammer*





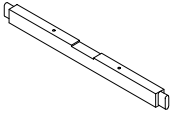
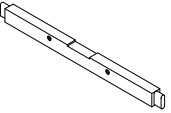
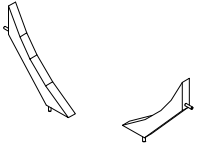


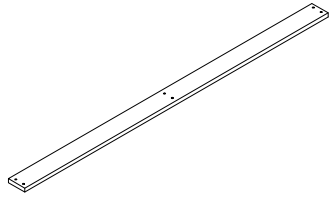
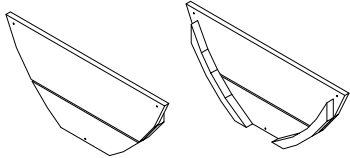
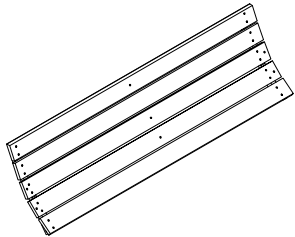
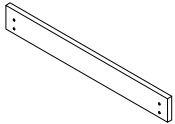
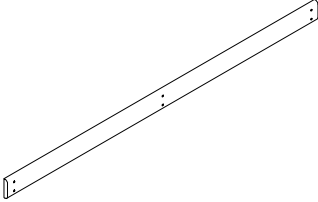
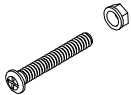
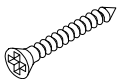
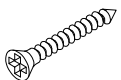
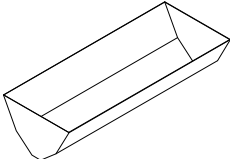
Assistance may be required during assembly.

## PRODUCT OVERALL VIEW



# PARTS LIST

Part	Image	Description	Quantity
1		End Post	2pcs
2		End Post	2pcs
3		Middle Post	1pc
4		Middle Post	1pc
5		Middle Connector	1pc
6		End Connector	2pcs
7		Support	2pcs

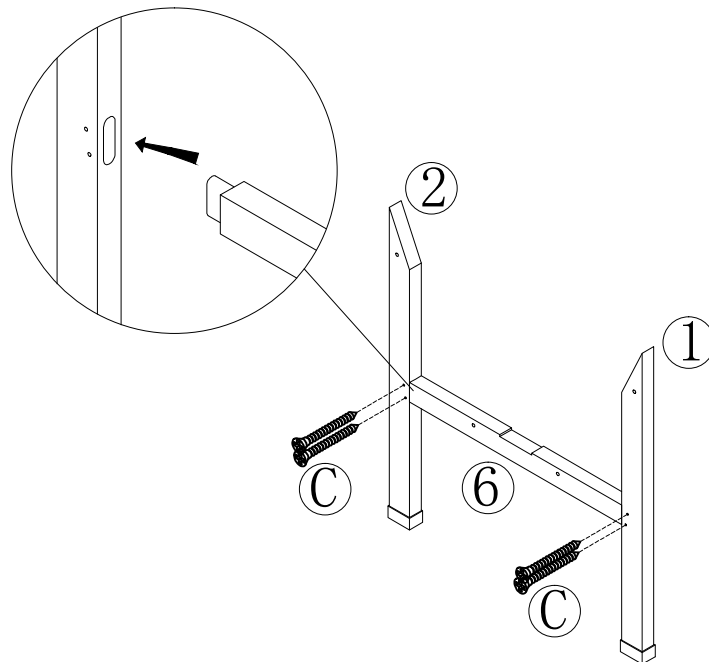
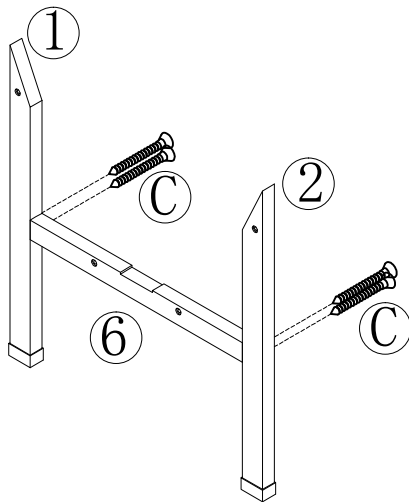
8		Floor Panel	1pc
9		End Panel	2pcs
10		Walls	2pcs
11		End Trim Panel	2pcs
12		Long Trim Panel	2pcs
A		Bolt 75mm	8pcs
B		Screw 40mm	50+1pcs
C		Screw 30mm	12+1pcs
D		Liner	1pc

## ASSEMBLY INSTRUCTION

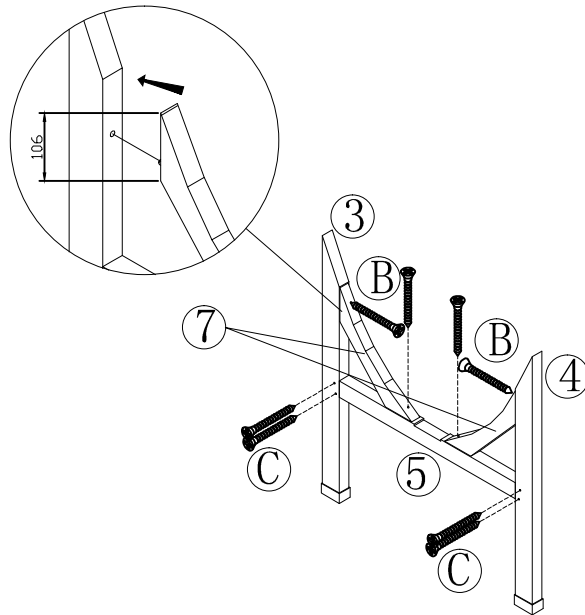
Open the box. Use the parts list to identify and organize each parts.

Step 1: Attach the End Post (part 1) and the End Post (part 2) to the End Connector(part 6) with screws(C)\*4pcs as shown .

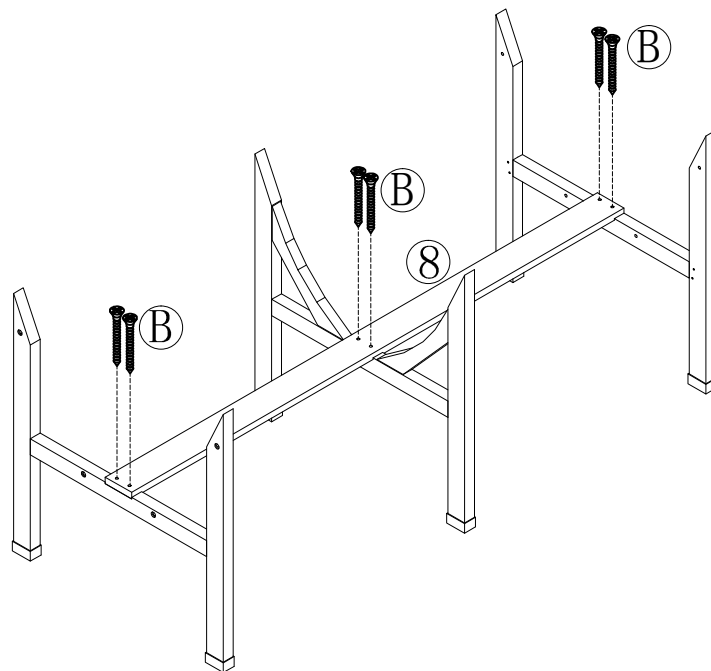
Repeat this step to create 2 sets of posts.



Step 2: Assemble the supports (part 7) to the middle connector (part 5). Then assemble the middle post (parts 3 and 4). Attach everything with screws(C) \* 4pcs and screws(B) \* 4pcs as shown.

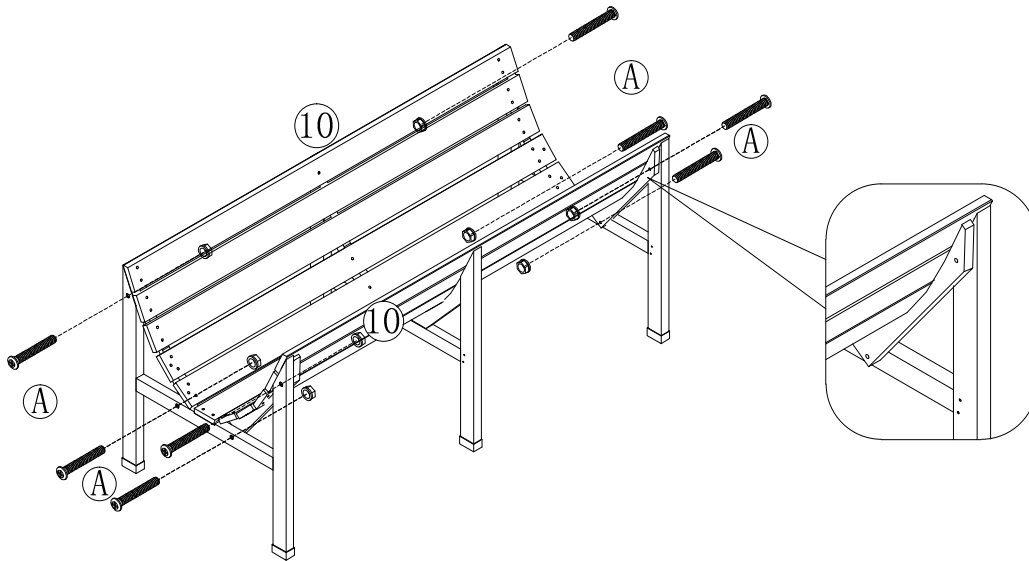


Step 3: Place the Floor Panel (part 8) as shown, and attach the Floor Panel to the middle connector with screws (B)\*6pcs.



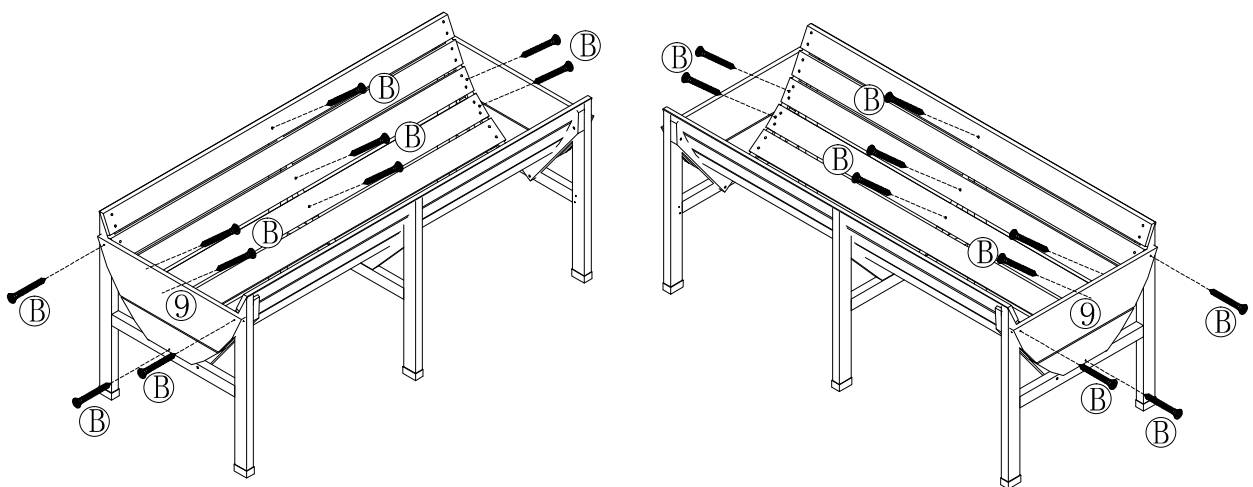
Step 4: Attach the Walls(part 10) to the posts with Bolt (A)\*8pcs.

Note: ensure the ends of the wall are flush with the side of the posts.



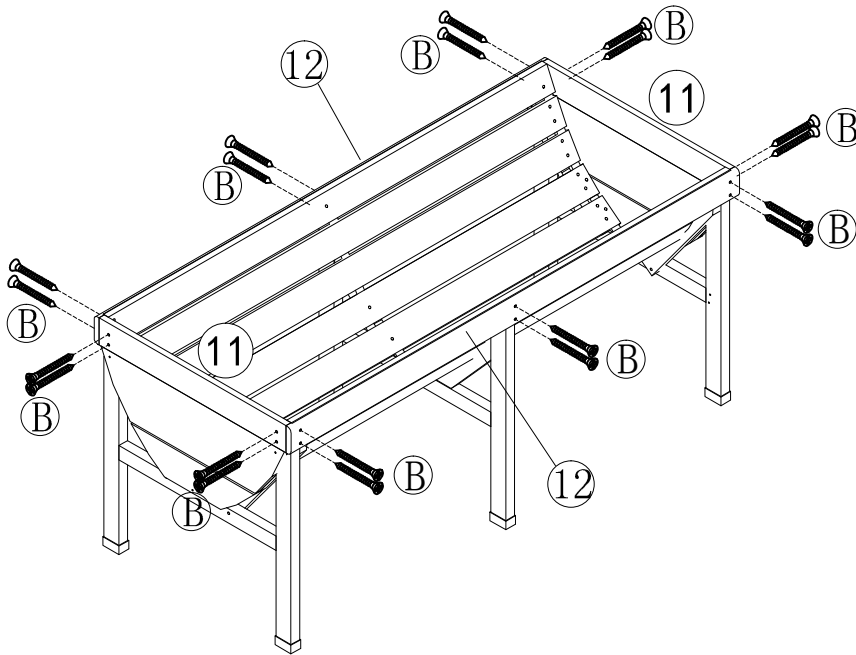
Note: insert all bolts before tightening any, some adjustments may be needed to ensure proper alignment.

Step 5: Attach the End Panel (part 9) as shown with screws(B)\*6pcs, and then secure the Walls with screws(B)\*14pcs .



Step 6: Attach the End Trim Panel (part 11) to the posts using screws (B)\*8pcs. And attach the Long Trim Panel (part 12) to the posts using screws (B)\*12pcs.

Note: ensure the ends of the side trim panel are flush with the front of the posts.



Step 7: Place the liner (D) into the planter.

