

WORKSHOP[®] MD

VACUUM CLEANERS

3.0

PEAK HP

5

US
GALLON

- **Powerful Performance For Cleaning Ash And Fine Particles Under 122° F**
- **LED Light Hose End For Better Visibility Into Pits And Fireplaces**
- **Includes HEPA Media Filter For Fine Particle Cleaning**
- **Large Carry Handle For Easy Transport Doubles As A Convenient Cord Wrap**
- **On-Board Storage Keeps Accessories Secure And Within Close Reach**
- **For Dry Use Only**

ASH VACUUM

Whether you have cold fireplace ash or fine particles to clean up, this dry-only vac can handle the task with ease



1/4"

DIAMETER



Includes: Vac, Locking Hose With LED Light, Metal Wand, Metal Crevice Tool, Filter and Owner's Manual

WS0500ASH

5 YEAR*
LIMITED
WARRANTY

WORKSHOP[®] MD

VACUUM CLEANERS

www.WORKSHOPvac.com

3.0

PEAK HP

5

US
GALLON

SPECIFICATIONS

Drum Size	5 Gal / 18 L
Peak H.P.	3.0
Voltage	120
Amps	7.6
CFM	47.7
Static Lift	69.9 in
Max Air Watts	109.6
Blowing Capability	No
Cord Length	8' / 2,4 m
Hose Length	3' / 0,9 m
Drain Port	No
Construction	Metal
Accessory Size	1¼" / 3,1 cm
Accessory Storage	Yes
U.L. Listed	Yes

8' / 2,4M

Carrying handle provides storage of the 8' power cord.

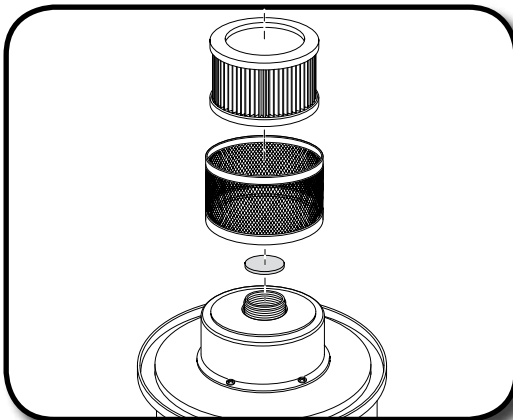
1¼" x 3' Locking hose stays secure during use.

Metal drum construction for heavy-duty use.

Casters swivel 360° for maximum mobility.

Lid latches lock securely.

Fine particle filtration prevents ash from passing into exhaust air stream.



WORKSHOP[®] Wet/Dry Vacs
8100 West Florissant
St. Louis, MO 63136

1-888-455-8724



WORKSHOPbrand

Real-world performance data achieved from testing at the end of the hose. Competitors typically test at or near motor. Gallons indicated reflect drum volume, not necessarily collection capacity. Actual capacity dependent upon type of debris collected, condition of filter, and other factors. Peak Horsepower represents a level at or below the maximum horsepower output of an electric motor tested in a laboratory using a dynamometer. All details subject to change without notice.