

# SLEEVE OF PTAC INSTALLATION INSTRUCTIONS

## SLEEVE HARDWARE

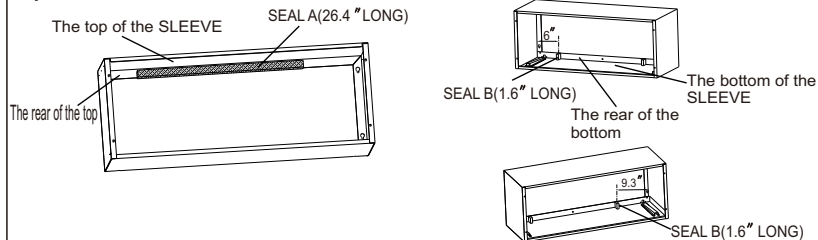
ITEM	DESCRIPTION	QT'Y	REMARK
1	WALL SLEEVE subassembly	1	
2	SEAL A	1	26.4" LONG
3	SEAL B	2	1.6" LONG
4	REAR GRILLE(optional)	1	MODEL A,MODEL B
5	INSULATION STRIP(optional)	2	
6	SCREW ST3.9*14(optional)	2	Only for MODEL A

NOTE:REAR GRILLE has MODEL A and MODEL B for choice.

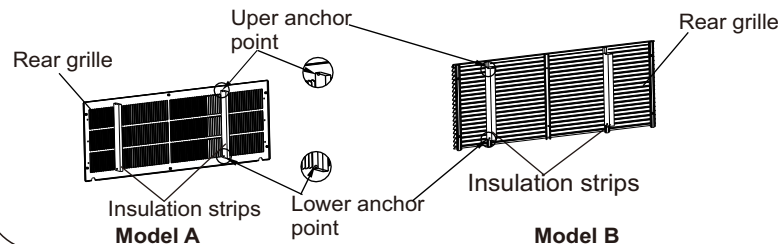


## INSTALL THE REAR GRILLE

- Attach the SEAL A and SEAL B to the SLEEVE at proper position as shown below.

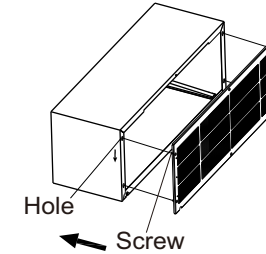


- Attach two insulation strips to the rear grille at proper position as shown below.

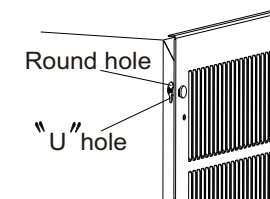


## INSTALL THE REAR GRILLE(CONTINUED)

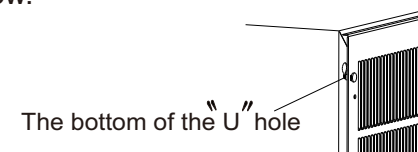
- Insert the four screws installed in the rear grille into the relevant four round holes of the sleeve as shown below.



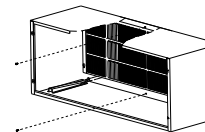
- When the screws insert into the round holes, pull down the rear grille to let the screws slide into the "U" holes as shown below.



- When the screws slide into the bottom of the "U" holes the rear grille can be installed to the sleeve firmly as shown below.



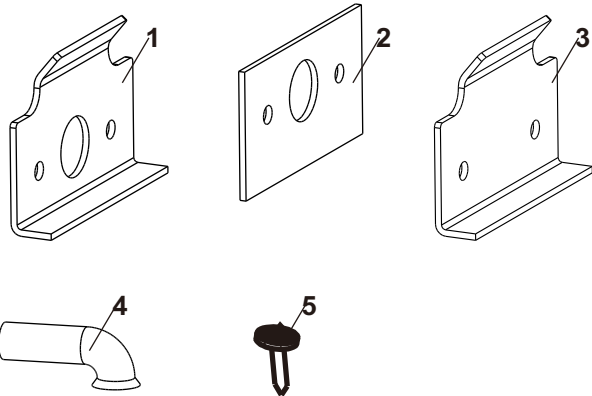
- For MODEL A rear grille must be installed two screws more through the sleeve and rear grille for securely and firmly as shown below.(NOTE:For MODEL B is not necessary.)



## INSTALL THE DRAIN KIT

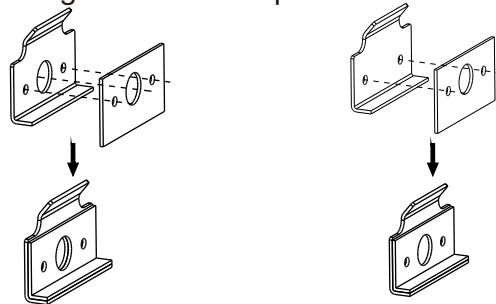
### DRAIN KIT PARTS LIST

ITEM	DESCRIPTION	QT'Y	REMARK
1	COVER PLATE WITH DRAIN OUTLET	1	
2	FOAM GASKET WITH DRAIN OUTLET	2	
3	COVER PLATE	1	
4	TUBE	1	
5	SCREW ST3.9*14(optional)	4	



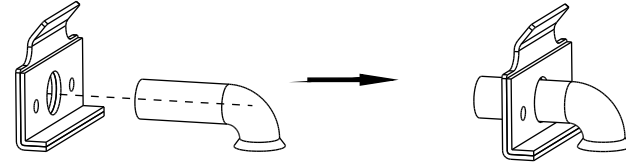
### HOW TO INSTALL THE DRAIN KIT

- Attach foam gasket to cover plate as shown below.

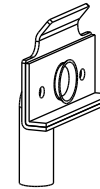


### HOW TO INSTALL THE DRAIN KIT (CONTINUED)

- Insert tube into the cover plate with drain outlet as shown below.

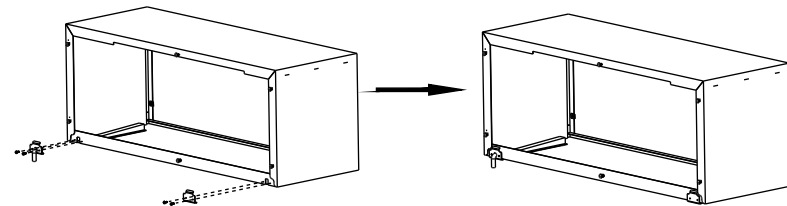


- Rotate the tube to proper position as shown below.



- Install the cover plate with tube to the drain outlet located at the back of the sleeve by using two screws and install the cover plate without tube to the other drain outlet by using two screws as shown below.

NOTE: The cover plate with tube may be placed on either side of the sleeve. Before tightening the screws, make sure the tube's position will allow the sleeve to fit through the wall.



CWO331-PTAC(F)16120300A00051  
20150117