






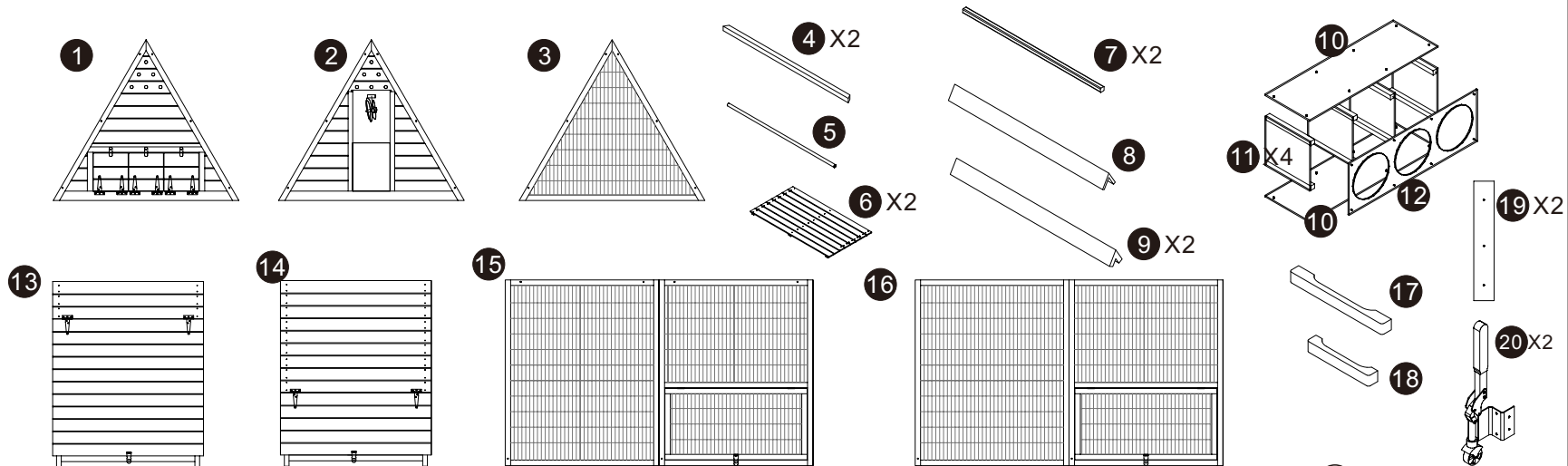


# ASSEMBLY INSTRUCTION

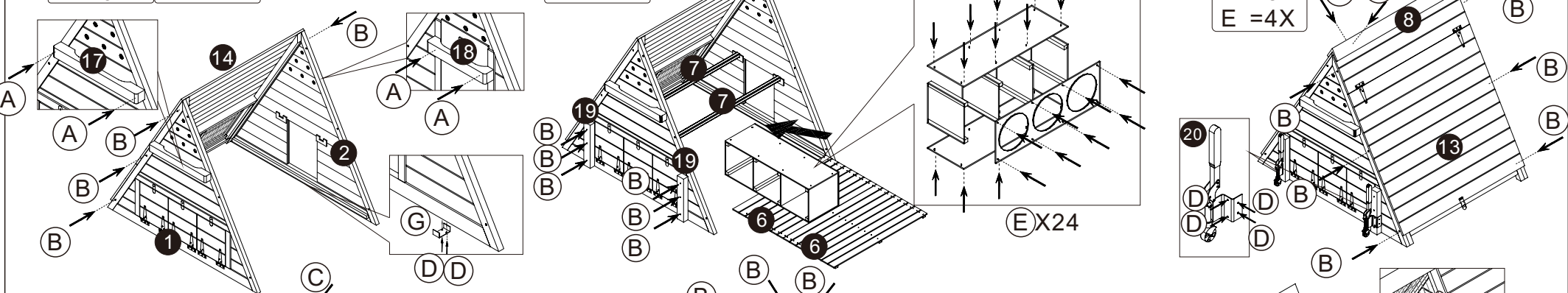
A  x4 3.5*60	F  x2
B  x36 3.5*50	G  x2
C  x4 3.5*35	
D  x12 3.5*30	
E  x28 3.5*25	



1 A = 4X D = 4X  
B = 6X G = 2X

2 B = 6X E = 24X

3 B = 6X D = 8X E = 4X



4 B = 10X C = 4X

5 B = 8X

6 F = 2X

