



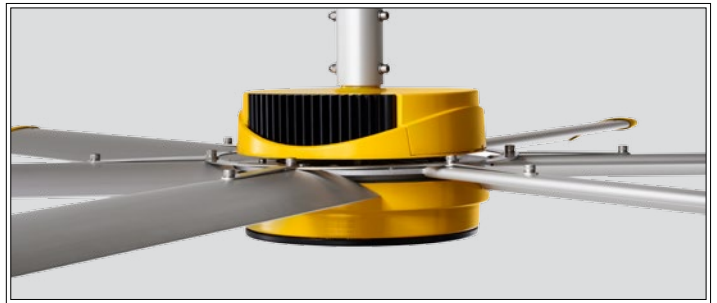
Big Ass Fan 2025

Sleek and powerful

Big Ass Fans introduces the all new Big Ass Fan® 2025, an impressive combination of brains and brawn. With its high-efficiency, sensorless direct drive motor, Big Ass Fan 2025 provides the serious air movement needed for shops up to 2025 square feet. Big Ass Fan 2025 features advanced Mini-Ellipto airfoils and cools the same area as 29 standard 52-in (1.3-m) ceiling fans.

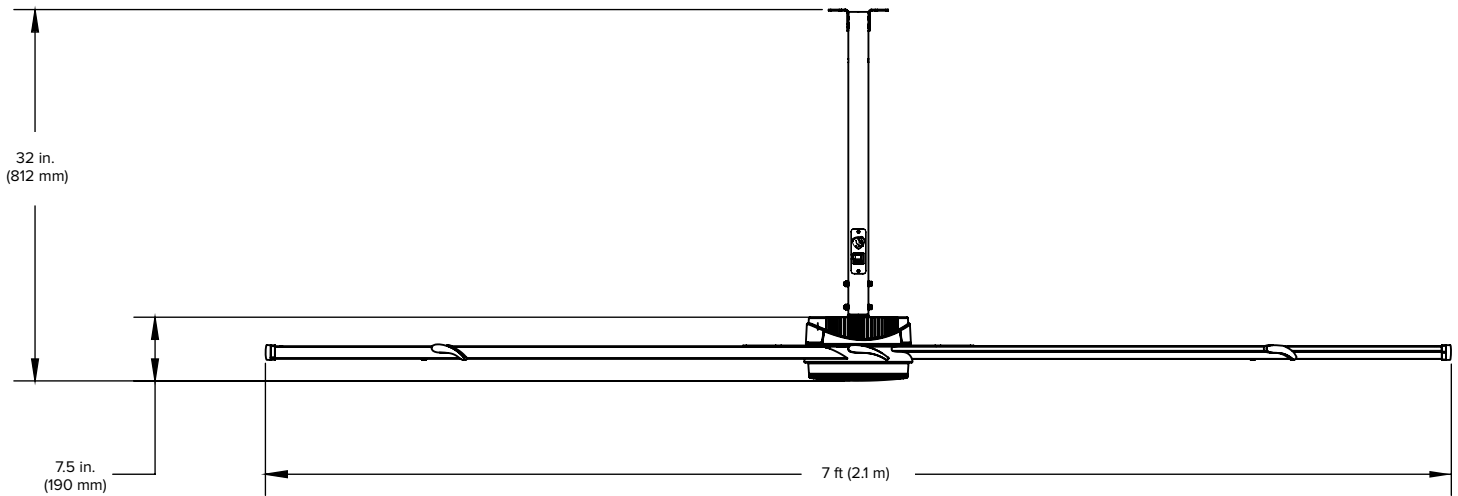
Features and benefits

- Available in 7-ft (2.1-m) diameter
- Gearless direct drive motor provides silent operation (< 35 dBA)
- Permanent magnets help reduce power consumption
- Onboard electronic microprocessors offer smooth and powerful operation
- Lightweight and easy to install
- Effectively covers areas up to 45 x 45-ft (13.7 x 13.7-m)



Big Ass Fan 2025

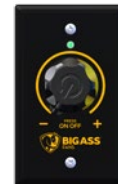
TECHNICAL SPECIFICATIONS



Technical Specifications

Model	Big Ass Fan 2025
Fan diameter	7 ft (2.1 m)
Fan weight	70 lb (31.8 kg)
Maximum speed	198 RPM
Number and type of airfoils	6 Mini-Ellipto airfoils
Airfoil finish (standard)	Clear anodized
Winglet finish (standard)	Yellow
Prime mover (standard color)	Gearless direct drive (yellow)
Input power and required breaker	110–125 VAC, 1 Φ , 50/60 Hz, 10 A
Coverage area	Up to 2,025 sq ft (188.13 sq m)
Wired wall controller	Variable speed wall-mounted control
Sound level (max speed)¹	< 35 dBA
Extension tube length	2 ft (0.6 m)
Minimum airfoil clearances required	10 ft (3 m) above floor 2 ft (0.6 m) on sides 2 ft (0.6 m) below ceiling deck
Environment	Indoor use only
Certification	TUV-certified to UL 507 and CSA 22.2 No. 113
Warranty²	1 year parts warranty

Variable Speed Wired Wall Control



Standard Color Options



Silver with yellow trim and yellow drive

¹Actual results of sound measurements in the field may vary due to sound reflective surfaces and environmental conditions.

²1 year parts, lifetime airfoils and hub. See the installation guide for complete warranty details.