

# Big Ass Fan 4900

## When Size Matters

Big Ass Fan® 4900 is an impressive and economical fan package for workshops, small manufacturing facilities and industrial spaces. The Big Ass Fan 4900 is lightweight and pre-wired for easier and faster installation. Just one 14-ft (4.3-m) Big Ass Fan 4900 provides cooling over the same area as 70 standard 52-in (1.3-m) ceiling fans at a fraction of the operating cost. Easy installation, superb performance and year-round energy savings. Just what you'd expect from Big Ass Fans.



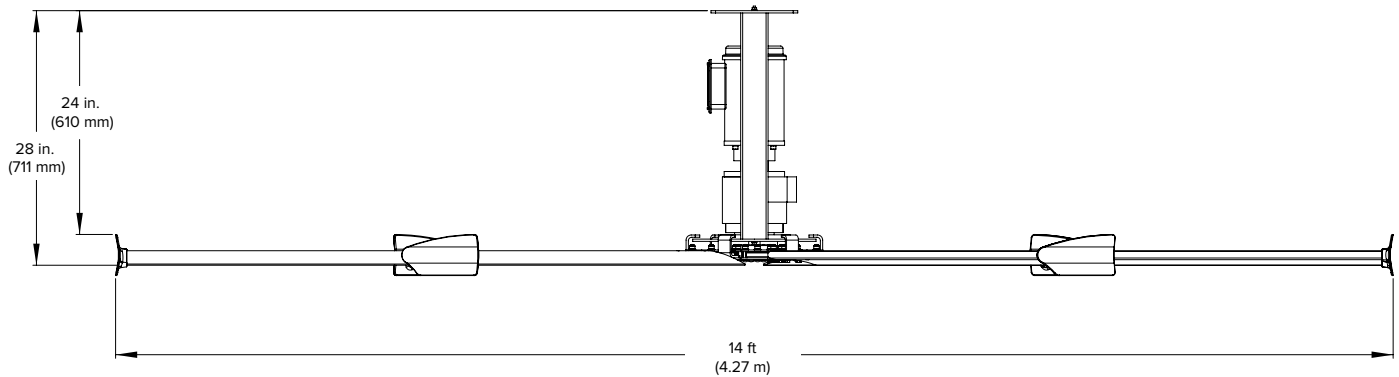
The unique aerodynamic design enhances both energy efficiency and airflow by eliminating vortex formation at the airfoil tips.

### Features and benefits

- Patented airfoil system includes six airfoils and cuffed winglets that maximize performance and efficiency
- Industrial-grade motor and gearbox offers efficient, reliable and durable operation
- Weighs less than 145 lb (65.8 kg) allowing for easy positioning and installation
- Factory-wired motor and controller cable with optional power cord plug
- Perfect for spaces up to 70 x 70 ft (21.3 x 21.3 m) and ceilings as low as 14-ft (4.3-m)
- Year-round energy savings, up to 10° cooling effect in hot weather and 1% energy savings per foot of ceiling height in cold weather

# Big Ass Fan 4900

## TECHNICAL SPECIFICATIONS



### Technical Specifications

<b>Model number</b>	F-PF61-1401S34
<b>Diameter</b>	14 ft (4.27 m)
<b>Number and type of airfoils</b>	6 patented Powerfoil® airfoils
<b>Airfoil finish</b>	Mill finish aluminum
<b>Winglet (standard color)</b>	Powerfoil winglet (safety yellow)
<b>Fan weight (as shown)</b>	145 lb (65.77 kg)
<b>Motor</b>	1.0 hp
<b>Maximum speed</b>	101 RPM
<b>Maximum amps</b>	11 A @ 100–125 V
<b>Input power and required breaker</b>	110–125 VAC, 50/60 Hz, 1 Φ, 20 A
<b>Redundant safety features</b>	Airfoil retainers, hub clips, safety cables, grade 8 bolts
<b>Controller</b>	Variable speed controller, NEMA 4X
<b>Controller connection</b>	50 ft pre-wired cord from motor and a 10 ft pre-wired cord from controller (VFD)
<b>Fire relay</b>	Included; must be connected at time of install
<b>Mount (standard)</b>	Angle Iron or I-Beam
<b>Mount (optional)</b>	Z-purlins or wooden beam (L-brackets)
<b>Minimum airfoil clearances required</b>	10 ft (3.1 m) above floor, 2 ft (0.6 m) on sides, 5 ft (1.5 m) below ceiling deck
<b>Certifications (whole fan)</b>	Intertek/ ETL-certified to UL 507 and CSA C22.2 No. 113
<b>Warranty*</b>	1 year parts in the US and Canada

\*1 year parts warranty available in the US and Canada; certain exclusions apply. Warranties vary by country. See full warranty for details.

