

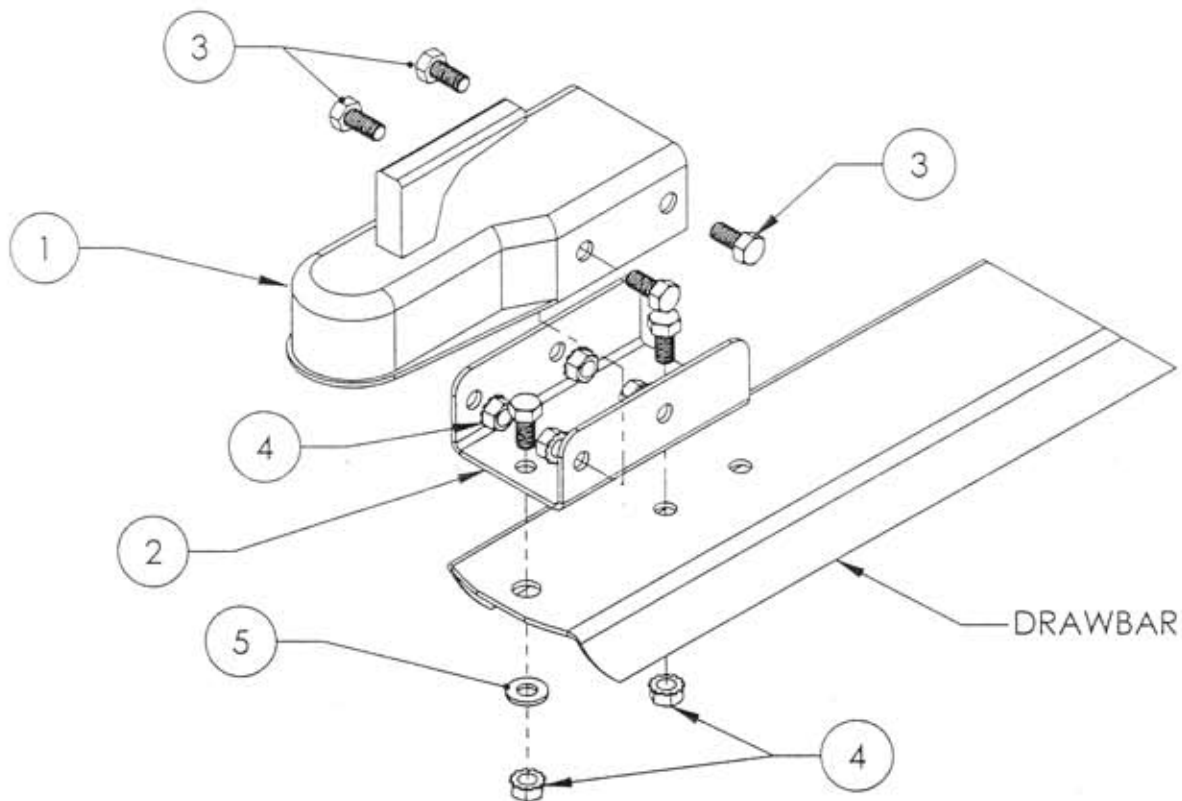
If there are any missing parts
please call 1-800-652-2321.

HK178 - BALL HITCH KIT

FOR USE WITH 1 7/8" BALL

ASSEMBLY INSTRUCTIONS

1. Remove existing hitch bracket from drawbar of cart.
2. Attach ball hitch mounting plate (2) to drawbar with hardware provided.
(If necessary use flat washer on hitch pin hole as shown below.)
3. Attach coupler (1) to ball hitch plate with four bolts (3) and keps nuts (4).



REPLACEMENT PARTS

PART NO.	REF. NO.	AMT.	DESCRIPTION
HK178-1	1	1	1 7/8" BALL HITCH COUPLER
HK178-2	2	1	BALL HITCH MOUNTING PLATE
HK178-3	3	6	BOLT, HEX 3/8"-16 X 3/4"
HK178-4	4	6	NUT, KEPS 3/8"-16
HK178-5	5	1	WASHER, FLAT 3/8"
HK178-6	6	1	ASSEMBLY MANUAL
HK178-7	7	1	BOLT BAG