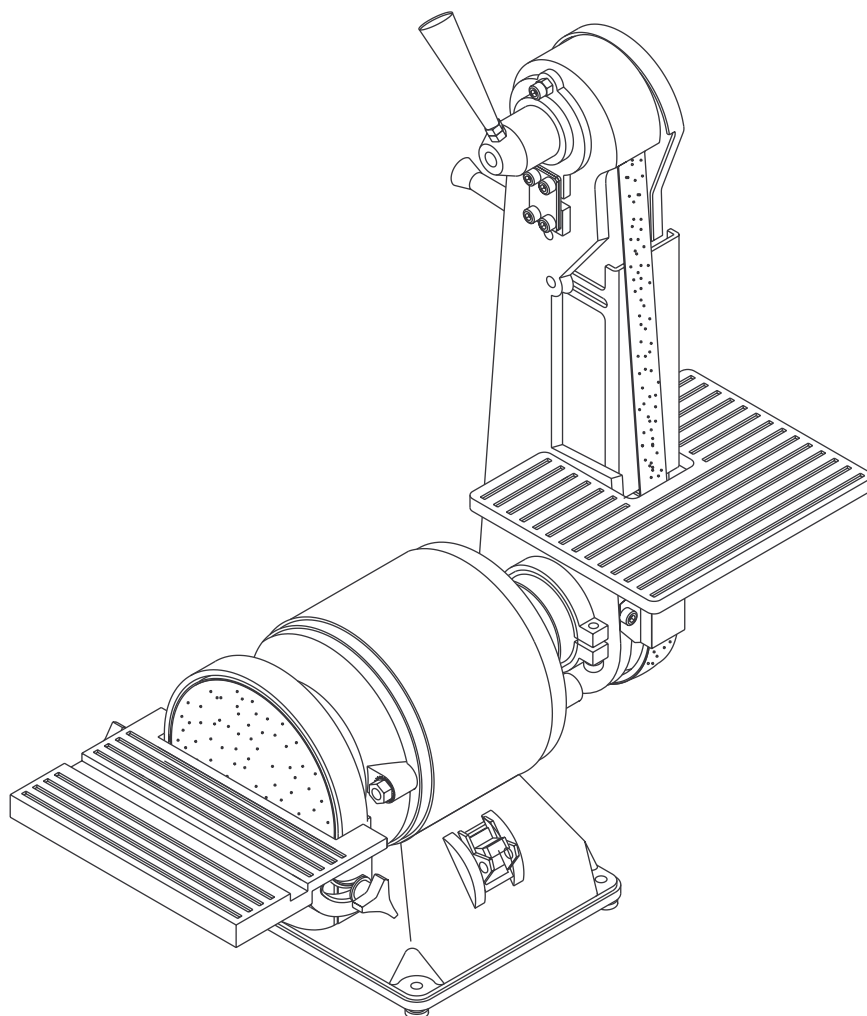




2 x 6" BELT & DISC SANDER



Read carefully and follow all safety rules and operating instructions before first use of this product.

DESCRIPTION

Palmgren 2 x 6" Belt and Disc Sander has a 2 x 42" belt and 6" disc for deburring, beveling and sanding wood, plastic and metal. The sander has a totally enclosed, fan-cooled 1/3 HP motor. Belt speed is 4400 FPM and the disc rotates 3450 RPM. The belt table tilts 0 to 90° and the disc table tilts 0 to 45° for angle sanding. The quick release tension and tracking mechanism makes belt changing quick and easy. Belt platen is removable for contour sanding. Belt housing swivels from horizontal to vertical for sanding long workpieces. Sanding disc has a dust collection chute.

UNPACKING

Refer to Figure 1.

Check for shipping damage. If damage has occurred, a claim must be filed with carrier. Check for completeness. Immediately report missing parts to dealer.

The sander comes assembled as one unit. Additional parts which need to be fastened to sander, should be located and accounted for before assembling.

- A Disc table
- B Abrasive disc
- C Miter gauge assembly
- D Horizontal stop bar with nut
- E 1" Belt
- F Workstop
- G Belt table
- H Two knobs

Parts bag includes: one 10-1.50 x 25mm socket head bolt, one 10mm flat washer, one 10mm lock washer, two 6mm washers and one 8-1.25mm hex nut.

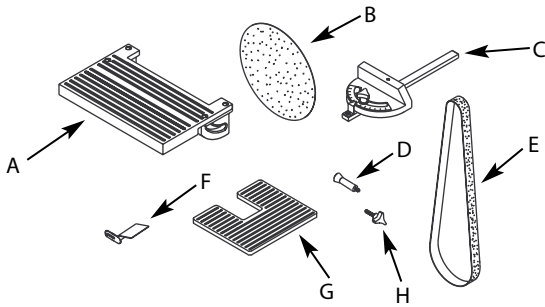


Figure 1 – Unpacking

SPECIFICATIONS

Belt size2 x 42", 80 grit
Belt platen area7¼ x 2"
Belt table dimensions6¾ x 9"
Belt table tilts0 to 90°
Belt speed4400 FPM
Disc diameter6", 80 grit
Disc table dimensions5½ x 8¼"
Disc table tilts0 to 45°
Disc dust chute diameter1½"
Disc speed3450 RPM
Base dimensions8⅛ x 7⅛"
SwitchSP, Locking rocker
Motor⅓ HP, 120/240V, 3.5/1.75 AMPS
Weight30 lbs

SAFETY RULES

WARNING: For your own safety, read all of the instructions and precautions before operating tool.

CAUTION: Always follow proper operating procedures as defined in this manual even if you are familiar with use of this or similar tools. Remember that being careless for even a fraction of a second can result in severe personal injury.

BE PREPARED FOR JOB

- Wear proper apparel. Do not wear loose clothing, gloves, neckties, rings, bracelets or other jewelry which may get caught in moving parts of machine.
- Wear protective hair covering to contain long hair.
- Wear safety shoes with non-slip soles.
- Wear safety glasses complying with United States ANSI Z87.1. Everyday glasses have only impact resistant lenses. They are **NOT** safety glasses.
- Wear face mask or dust mask if operation is dusty.
- Be alert and think clearly. Never operate power tools when tired, intoxicated or when taking medications that cause drowsiness.

PREPARE WORK AREA FOR JOB

- Keep work area clean. Cluttered work areas and work benches invite accidents.
- Do not use power tools in dangerous environments. Do not use power tools in damp or wet locations. Do not expose power tools to rain.
- Work area should be properly lighted.
- Proper electrical receptacle should be available for tool. Three-prong plug should be plugged directly into properly grounded, three-prong receptacle.
- Extension cords should have a grounding prong and the three wires of the extension cord should be of the correct gauge.
- Keep visitors at a safe distance from work area.
- Keep children out of the workplace. Make workshop childproof. Use padlocks, master switches or remove switch keys to prevent any unauthorized use of power tools.

TOOL SHOULD BE MAINTAINED

- Always unplug tool prior to inspection.
- Consult manual for specific maintaining and adjusting procedures.
- Keep tool lubricated and clean for safest operation.
- Remove adjusting tools. Form habit of checking to see that adjusting tools are removed before switching machine on.
- Keep all parts in working order. Check to determine that the guard or other parts will operate properly and perform their intended function.
- Check for damaged parts. Check for alignment of moving parts, binding, breakage, mounting and any other condition that may affect a tool's operation.
- A guard or other part that is damaged should be properly repaired or replaced. Do not perform makeshift repairs. (Use the parts list to order replacement parts.)

KNOW HOW TO USE TOOL

- Use right tool for job. Do not force tool or attachment to do a job for which it was not designed.
- Disconnect tool from power when changing abrasive belt or disc.

SAFETY RULES (CONTINUED)

- Avoid accidental start-up. Make sure that the switch is in the OFF position before plugging in.
- Do not force tool. It will work most efficiently at the rate for which it was designed.
- Keep hands away from moving parts and sanding surfaces.
- Never leave tool running unattended. Turn the power off and do not leave tool until it comes to a complete stop.
- Do not overreach. Keep proper footing and balance.
- Never stand on tool. Serious injury could occur if tool is tipped or if belt or disc are unintentionally contacted.
- Know your tool. Learn the tool's operation, application and specific limitations.
- Handle workpiece correctly. Protect hands from possible injury.
- Turn machine off if it jams. Belt jams when it digs to deeply into workpiece. (Motor force keeps it stuck in the work).
- Support workpiece with miter gauge, belt platen or work table.
- Maintain $\frac{1}{16}$ " maximum clearance between table and sanding belt or disc.

CAUTION: Think safety! Safety is a combination of operator common sense and alertness at all times when tool is being used.

WARNING: Do not attempt to operate tool until it is completely assembled according to instructions.

ASSEMBLY

Refer to Figures 2 and 3.

CAUTION: Do not attempt assembly if parts are missing. Use this manual to order replacement parts.

ATTACH ABRASIVE DISC TO ALUMINUM DISC

- Remove the adhesive cover from the back of the abrasive disc.
- Center abrasive on aluminum disc and press to paste.
- Make sure abrasive is pasted evenly on the aluminum disc.

ASSEMBLE DISC TABLE

Refer to Figure 2.

- Slide table locating pins into slots on disc guard.
- Set the disc table at right angle to the aluminum disc and secure the table position using two knobs and flat washers.

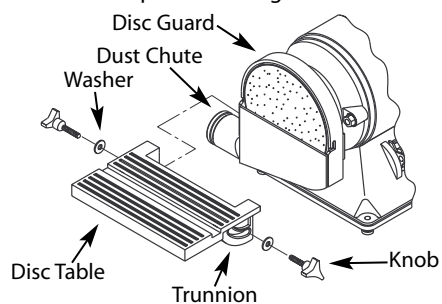


Figure 2 – Assemble Disc Table

ADJUST DISC TABLE ANGLE

Refer to Figure 2.

- The disc table is adjustable from 0 to 45° for beveled work. To adjust disc table, loosen 2 knobs and flat washers and adjust to desired angle.
- Use scale on disc table trunnions to set disc table from 0 to 45° to abrasive disc.
- When disc table is at desired angle, lock into position by tightening knobs.
- If adjustment is necessary, loosen set screw in aluminum disc through the opening at top rear of disc guard. Position disc $\frac{1}{16}$ " or less from edge of table. Secure disc with set screw.

ASSEMBLE BELT TABLE

Refer to Figure 3.

- Mount belt table to left side of belt housing using 1 each socket head bolt, flat washer and lock washer.
- Be sure gap between table and belt is $\frac{1}{16}$ " or less. Tighten socket head bolt to secure table position.

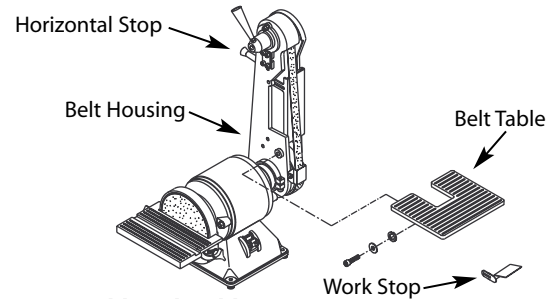


Figure 3 – Assemble Belt Table

ATTACH HORIZONTAL STOP

Refer to Figure 3.

A horizontal stop bar is provided for positive stop when the sanding belt assembly position is adjusted. To attach stop bar:

- Tighten the horizontal stop bar into the threaded hole on the rear side of belt housing.
- Tighten hex nut.

INSTALLATION

Refer to Figures 4, 5 and 6.

WARNING: All electrical connections must be performed by a qualified electrician.

POWER SOURCE

The motor is designed for operation on the voltage and frequency specified. Normal loads will be handled safely on voltages not more than 10% above or below the specified voltage.

Running the unit on voltages which are not within the range may cause overheating and motor burnout. Heavy loads require that voltage at motor terminals be no less than the voltage specified on nameplate. Power supply to the motor is controlled by a single pole locking rocker switch. Remove the key to prevent unauthorized use.

GROUNDING INSTRUCTIONS

WARNING: Improper connection of equipment grounding conductor can result in the risk of electrical shock. Equipment should be grounded while in use to protect operator from electrical shock.

- Check with a qualified electrician if grounding instructions are not understood or if in doubt as to whether the tool is properly grounded.
- This tool is equipped with an approved 3-conductor cord rated at 300V and a 3-prong grounding type plug (See Figure 4) for your protection against shock hazards.

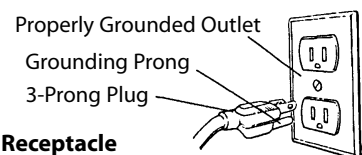


Figure 4 – 3-Prong Receptacle

- Grounding plug should be plugged directly into a properly installed and grounded 3-prong grounding-type receptacle, as shown (Figure 4).

INSTALLATION (CONTINUED)

- Do not remove or alter grounding prong in any manner. In the event of a malfunction or breakdown, grounding provides a path of least resistance for electrical shock.

WARNING: Do not permit fingers to touch the terminals of plug when installing or removing from outlet.

- Plug must be plugged into matching outlet that is properly installed and grounded in accordance with all local codes and ordinances. Do not modify plug provided. If it will not fit in outlet, have proper outlet installed by a qualified electrician.
- Inspect tool cords periodically, and if damaged, have repaired by an authorized service facility.
- Green (or green and yellow) conductor in cord is the grounding wire. If repair or replacement of the electric cord or plug is necessary, do not connect the green (or green and yellow) wire to a live terminal.
- Where a 2-prong wall receptacle is encountered, it must be replaced with a properly grounded 3-prong receptacle installed in accordance with National Electric Code and local codes and ordinances.

WARNING: This work should be performed by a qualified electrician.

- A temporary 3-prong to 2-prong grounding adapter (See Figure 5) is available for connecting plugs to a two pole outlet if it is properly grounded.

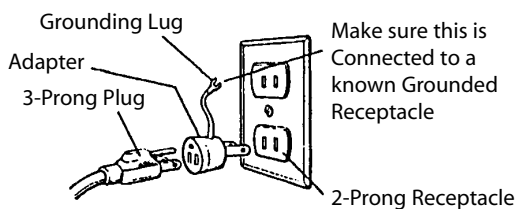


Figure 5 – 2-Prong Receptacle with Adapter

- Do not use a 3-prong to 2-prong grounding adapter unless permitted by local and national codes and ordinances. (A 3-prong to 2-prong grounding adapter is not permitted in Canada.) Where permitted, the rigid green tab or terminal on the side of the adapter must be securely connected to a permanent electrical ground such as a properly grounded water pipe, a properly grounded outlet box or a properly grounded wire system.
- Many cover plate screws, water pipes and outlet boxes are not properly grounded. To ensure proper ground, grounding means must be tested by a qualified electrician.

EXTENSION CORDS

- The use of any extension cord will cause some drop in voltage and loss of power.
- Wires of the extension cord must be of sufficient size to carry the current and maintain adequate voltage.
- Running the unit on voltages which are not within ±10% of the specified voltage may cause overheating and motor burn-out.
- Use the table to determine the minimum wire size (A.W.G.) extension cord.
- Use only 3-wire extension cords having 3-prong grounding type plugs and 3-pole receptacles which accept the tool plug.
- If the extension cord is worn, cut or damaged in any way, replace it immediately.

EXTENSION CORD LENGTH

Wire Size	A.W.G.
Up to 25 ft.18

NOTE: Using extension cords over 25 ft. long is not recommended.

ELECTRICAL CONNECTIONS

WARNING: All electrical connections must be performed by a qualified electrician. Make sure tool is off and disconnected from power source while motor is mounted, connected, reconnected or anytime wiring is inspected.

- Motor and wires are installed as shown in wiring diagram (See Figure 6). Motor is assembled with approved, 3-conductor cord to be used at 120/240 volts. Motor is prewired at the factory for 120 volts.
- To use the sander with a 240V power supply, have a qualified electrician rewire motor and attach a 240 volt, 15A three-prong plug onto sander line cord.

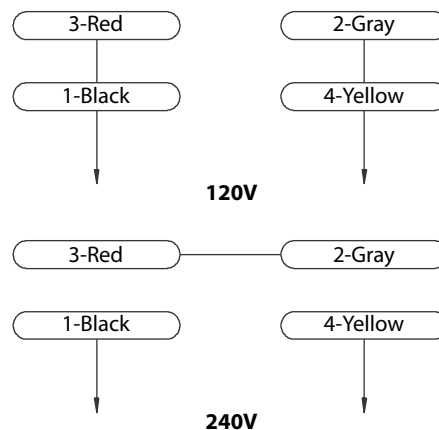


Figure 6 – Wiring Diagram

OPERATION

Refer to Figures 7 and 8.

WARNING: Operation of any power tool can result in foreign objects being thrown into eyes which can result in severe eye damage. Always wear safety goggles complying with United States ANSI Z87.1 before commencing power tool operation.

CAUTION: Always observe the following safety precautions:

- Whenever adjusting or replacing any parts on the tool, turn switch OFF and remove the plug from power source.
- Recheck table knobs and bolts. They must be tightened securely.
- Make sure all guards are properly attached and securely fastened.
- Make sure all moving parts are free and clear of any interference.
- Make sure all fasteners are tight and have not vibrated loose.
- With power disconnected, test operation by hand to verify clearance and adjust if necessary.
- Always wear eye protection or face shield.
- Make sure abrasive belt tracks properly. Correct tracking gives optimum performance.
- After turning switch ON, always allow belt to come up to full speed before sanding or grinding.
- Be sure motor runs clockwise on disc side. Abrasive belt must travel down.
- Keep your hands clear of abrasive belt, disc and all moving parts.
- For optimum performance, do not stall motor or reduce speed. Do not force the work into the abrasive.
- Support workpiece with belt table when sanding with belt, with disc table when sanding with disc.

OPERATION (CONTINUED)

- Never push a sharp corner of workpiece rapidly against belt or disc. Abrasive backing may tear.
- Replace abrasives when they become loaded (glazed) or frayed.
- When grinding metal, move workpiece across abrasive to prevent heat build-up.
- Never attempt wet sanding. If workpiece becomes too hot to handle, cool it in water.

REPLACING ABRASIVE BELT

Refer to Figure 7.

- Sanding belt should be replaced when worn, torn, or glazed. Remove belt cover knobs and belt cover.
- Loosen bolt on lower guard. Allow lower guard to hang on the bolt.
- Release belt tension by pulling down on tension handle. Slide old belt off the drive and tracking wheels.
- Pull down on the tension handle and slide new belt over the drive and tracking wheels, center belt on wheels.
- Replace lower guard and tighten bolt.
- Replace belt cover and knobs.
- Rotate belt by hand to check tracking, belt should ride centered on drive and tracking wheels. Adjust socket head bolt at top of tracking bracket to track belt properly. Be sure to secure socket head bolt with hex nut.

TRACKING ABRASIVE BELT

Refer to Figure 7.

- Test the tracking. Plug in power cord. Turn switch ON and immediately OFF.
If the abrasive belt is centered on wheels and did not move to the right or left, it is tracking properly.
If the belt moved to the right or left, adjustment is necessary.
- To adjust the tracking wheel, loosen the hex nut on socket head bolt. Use a 4mm hex wrench to turn socket head bolt.
If the abrasive belt moves to the left, turn the bolt counter-clockwise. If belt moves to the right, turn the bolt clockwise.
- Lock the position when the belt is tracking properly so the belt will remain centered on the wheels.
Hold the position of the socket head bolt with the 4mm hex wrench.
- Tighten hex nut to secure bolt position.

ADJUST BELT TABLE

Refer to Figure 7.

- To adjust belt table angle, loosen socket head bolt.
- Tilt belt table to desired position and secure by tightening socket head bolt.

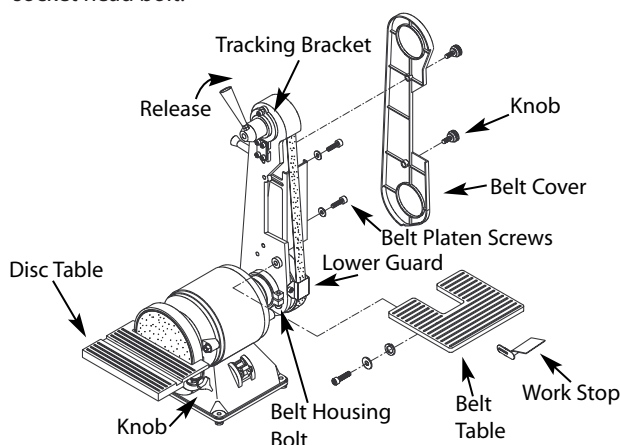


Figure 7 – Operation

ADJUST BELT ASSEMBLY POSITION

Refer to Figure 7.

The sanding belt assembly can be adjusted from vertical to horizontal position.

- Loosen the belt housing bolt that clamps belt housing to motor assembly.
- Tilt belt assembly to desired position (from vertical to horizontal). Secure belt assembly position by tightening belt housing bolt.

WORK STOP

Refer to Figure 7.

The work stop can be used instead of the belt table.

- Remove socket head bolt and washers holding belt table on sander. Remove belt table.
- Mount work stop to sander using the socket head bolt and washer.

NOTE: Position work stop properly so gap between work stop and belt is $\frac{1}{16}$ " or less. Tighten socket head bolt and washers.

ABRASIVE BELT FINISHING

Refer to Figure 8.

- Finishing flat surfaces: Hold workpiece firmly with both hands, keep fingers away from abrasive belt.
Use work stop. Work stop is used to position and stabilize work. Keep end butted against workstop and move work evenly across abrasive belt. Use extra caution when finishing very thin pieces.
For finishing long pieces: remove work stop. Apply only enough pressure to allow abrasive belt to remove material.
- Finishing curved edges: Finish outside curves on flat portion of abrasive belt. Finish inside curves on drive wheel portion of abrasive belt.
- Finishing end grain: It is more convenient to finish ends of long workpieces with abrasive belt in a vertical position.
Position table on belt side of sander. Lock position with socket head bolt and washers (Ref. Nos. 35, 36 and 66). Move work evenly across abrasive belt. Table may be tilted for beveled work.

ADJUSTING BELT PLATEN

Refer to Figure 8.

Operating with the belt platen in place will allow the operator to sand or grind straight, even lines.

The platen should be adjusted so the belt does not contact on the platen until work is fed into the belt. To adjust belt platen, loosen socket head bolts (Ref. No. 44) and adjust. Tighten bolts securely.

CONTOUR SANDING

Refer to Figure 7.

- Belt platen can be removed for contour sanding. Remove belt cover knobs and belt cover.
- Remove socket head bolts and washers holding platen to belt housing. Remove belt platen.
- Replace belt cover and belt cover knobs. When contour sanding is complete, replace belt platen. Position belt platen as close to belt as possible so that platen does not contact belt.

OPERATION (CONTINUED)**REPLACING ABRASIVE DISC**

Refer to Figure 8.

- Loosen and remove knobs (Ref. No. 26).
- Gently press down on disc table and slide out disc table.
- Remove old abrasive disc by peeling it from aluminum disc. Removing aluminum disc from motor shaft is not necessary.
- Clean aluminum disc if necessary. Select proper abrasive disc and apply to aluminum disc.
- Additional aluminum discs are available (Part Number 4657.00).
- Replace disc table.

ABRASIVE DISC FINISHING

- Abrasive disc sanding is well suited for finishing small flat surfaces and convex edges.
- Move workpiece across down side (right) of abrasive disc.
- Abrasive disc moves fastest and removes more material at outer edge.
- For accuracy, use the miter gauge.

USING MITER GAUGE

Refer to Figure 8.

- The miter gauge is used only on disc table. Use the miter gauge for securing work and holding the proper angle while disc sanding.
- Adjust angle by repositioning the miter gauge scale (Ref. No. 72) and locking it into place with knob (Ref. No. 70).
- Check accuracy of miter gauge scale.
- Use a combination square to adjust miter gauge square to disc. Indicator should be at zero. Loosen screw (Ref. No. 69) and reposition indicator if necessary.

MAINTENANCE

WARNING: Make certain that the unit is disconnected from power source before attempting to service or remove any component.

CLEANING

- Keep machine and workshop clean. Do not allow sawdust to accumulate on the tool.
- Keep wheels clean. Dirt on wheels will cause poor tracking and belt slippage.
- Operate tool with dust collector to keep dust from accumulating.

WARNING: After sanding wood or non-metallic material, always clean dust collector and guards of sawdust before grinding metal. Sparks could ignite debris and cause a fire.

- Be certain motor is kept clean and is frequently vacuumed free of dust.
- Use soap and water to clean painted parts, rubber parts and plastic guards.

LUBRICATION

- The shielded ball bearings in this tool are permanently lubricated at the factory. They require no further lubrication.
- When operation seems stiff, a light coat of automobile-type wax applied to the belt table and disc table will make it easier to feed the work while finishing.
- Do not apply wax to the belt platen. Belt could pick up wax and deposit it on wheels causing belt to slip.

KEEP TOOL IN REPAIR

- If power cord is worn, cut or damaged, have it replaced immediately.
- Replace worn abrasives when needed.
- Replace any damaged or missing parts. Use parts list to order parts.
- Any attempt to repair motor may create a hazard unless repair is done by a qualified service technician.

TROUBLESHOOTING

SYMPTOM	POSSIBLE CAUSE(S)	CORRECTIVE ACTION
Motor will not start	<ol style="list-style-type: none"> 1. Blown line fuse or tripped circuit breaker 2. Low line voltage 3. Defective switch 4. Defective, blown capacitor 	<ol style="list-style-type: none"> 1. If fuse is blown, replace with fuse of proper size. If breaker tripped, reset it 2. Check power supply for voltage and correct as needed 3. Replace switch 4. Replace capacitor
Motor will not start; fuses blown or circuit breakers tripped	<ol style="list-style-type: none"> 1. Overloading due to binding 2. Defective plug 3. Defective cord 4. Defective switch 5. Motor wired for different line voltage 6. Faulty internal wiring 	<ol style="list-style-type: none"> 1. Clean around wheels and shaft and/or replace bearings 2. Replace plug 3. Replace cord 4. Replace switch 5. Rewire motors as per line voltage (See Electrical Connections, page 4) 6. Have a qualified electrician service unit.
Motor fails to develop full power (power output of motor decreases rapidly with decrease in voltage at motor terminals)	<ol style="list-style-type: none"> 1. Power line overloaded with lights, appliances and other motors 2. Undersized wires or circuits too long 3. General overloading of power company's facilities 	<ol style="list-style-type: none"> 1. Reduce load on power line 2. Increase wire sizes, or reduce length of wiring 3. Request a voltage check from power company
Motor overheats	Motor overloaded	Reduce load on motor.
Motor stalls (resulting in blown fuses or tripped circuit breakers)	<ol style="list-style-type: none"> 1. Short circuit in motor or loose connections 2. Low voltage 3. Motor wired for different line voltage 4. Incorrect fuses or circuit breakers in power line 5. Motor overloaded 	<ol style="list-style-type: none"> 1. Inspect connections in motor for loose or shorted terminals or worn insulation on lead wires 2. Correct the low line voltage conditions 3. Rewire motor as per line voltage 4. Install correct fuses or circuit breakers (See Electrical Connections, page 4) 5. Reduce load on motor
Machine slows down while operating	Applying too much pressure to workpiece	Ease up on pressure
Abrasive belt runs off top wheel	Not tracking properly	See operation section "Tracking Abrasive Belt"

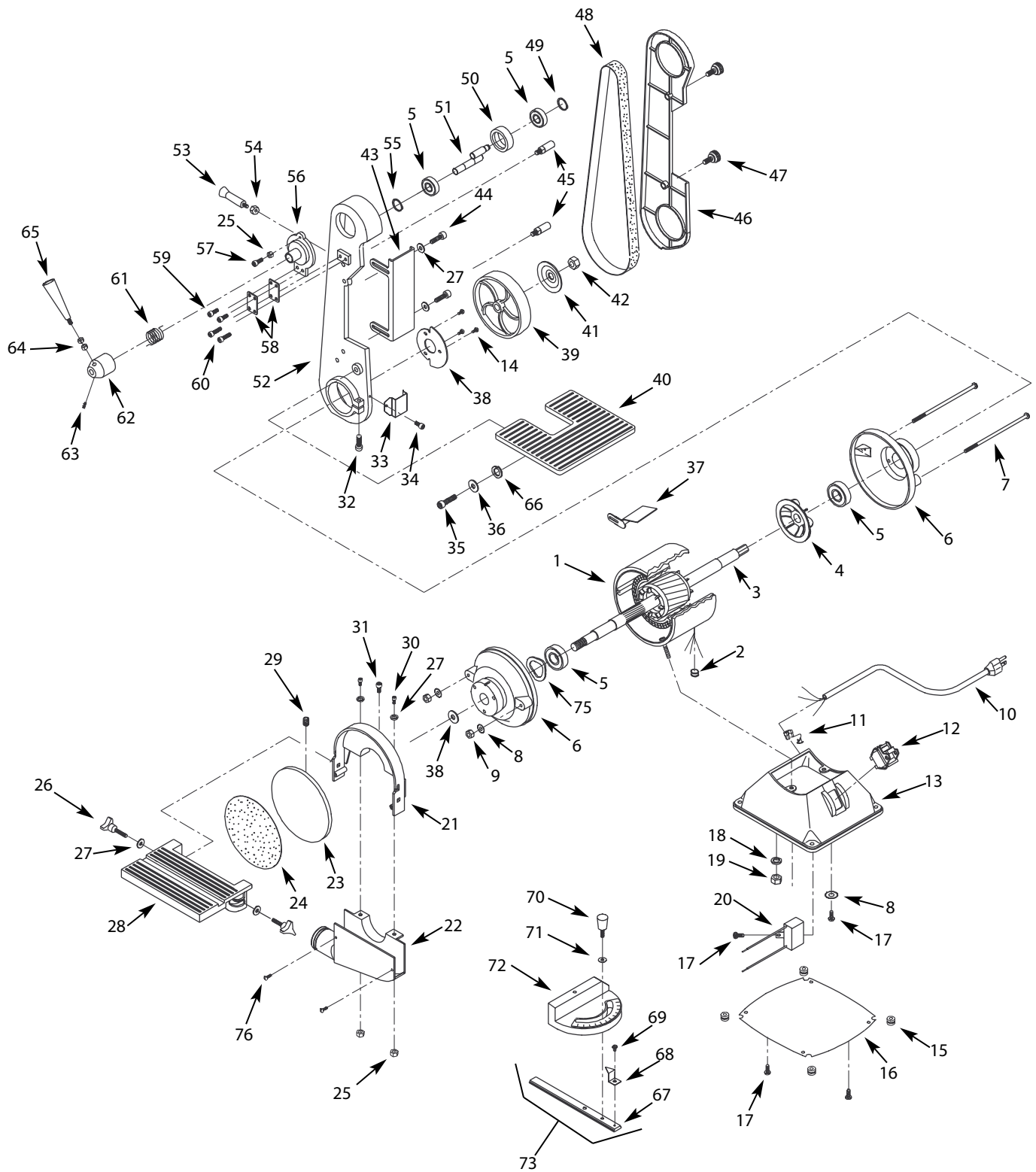


Figure 8 – Replacement Parts Illustration for Sander

REPLACEMENT PARTS LIST FOR SANDER

Ref. No.	Description	Part No.	Qty.	Ref. No.	Description	Part No.	Qty.
1	Stator with Housing	16905.09	1	40	Belt Table	04662.00	1
2	Grommet	01066.00	1	41	Wheel Flange	00065.01	1
3	Armature	16626.00	1	42	1/2"-12 Hex Nut	*	1
4	Motor Fan	01608.00	1	43	Belt Platen	16632.00	1
5	Bearing 6202ZZ	01540.00	4	44	6-1.0 x 10mm Socket Head Bolt	*	2
6	Endshield	08424.09	2	45	Stand Off	04664.00	2
7	Thru Bolt	08425.09	2	46	Belt Cover	16633.00	1
8	#10 Serrated Washer	*	3	47	Knob	08273.00	2
9	5-0.8mm Hex Nut	*	2	48	2 x 42" Abrasive Belt	08901.00	1
10	Line Cord	00067.00	1	49	3AMI-15 Retaining Ring	00533.00	1
11	Strain Relief	04055.00	1	50	Tracking Wheel	04666.00	1
12	Rocker Switch with Key	08066.00	1	51	Tracking Wheel Cam	04667.00	1
13	Base	16906.09	1	52	Belt Housing	16634.00	1
14	#10-24 x 3/8" Flange Screw	*	3	53	Horizontal Stop	04669.00	1
15	Base Bumper	04051.00	4	54	8-1.25mm Hex Nut	*	1
16	Base Cover	16909.00	1	55	3AMI-17 Retaining Ring	00341.00	1
17	#10-24 x 1/4" Flange Screw	*	6	56	Tracking Bracket	04670.00	1
18	1/4" Lock Washer	*	2	57	6-1.0 x 20mm Socket Head Bolt	*	1
19	1/4"-20 Hex Nut	*	2	58	Spring Plate	03327.01	2
20	Capacitor 16MFD	16908.00	1	59	5-0.8 x 10mm Socket Head Bolt	*	2
21	Disc Guard	04655.00	1	60	5-0.8 x 15mm Socket Head Bolt	*	2
22	Dust Collection Chute	04656.00	1	61	Tension Spring	04671.00	1
23	Aluminum Disc	04657.00	1	62	Spring Cap	04672.00	1
24	Abrasive Disc	03126.00	1	63	6-1.0 x 10mm Set Screw	*	1
25	6-1.0mm Hex Nut	*	3	64	5/16"-18 Hex Nut	*	2
26	Knob	04658.00	2	65	Handle Assembly	04673.00	1
27	6mm Flat Washer	*	6	66	10mm Lock Washer	*	1
28	Disc Table	08263.00	1	67	Miter Gauge Slide Bar	04272.01	1
29	1/4-20 x 1/4" Set Screw	*	1	68	Indicator	00901.00	1
30	6-1.0 x 20mm Socket Head Bolt	*	2	69	#8-24 x 1/4" Washer Head Screw	*	1
31	4-0.7 x 12mm Socket Head Bolt	*	1	70	Knob	07557.00	1
32	8-1.25 x 30mm Socket Head Bolt	*	1	71	6mm Flat Washer	*	1
33	Lower Belt Guard	04659.00	1	72	Miter Gauge Scale	00904.00	1
34	4-0.7 x 8mm Socket Head Bolt	*	1	73	Miter Gauge Assembly (includes Ref. Nos. 67-72)	07800.01	1
35	10-1.5 x 25mm Socket Head Bolt	*	1	74	#10-32 x 1/2" Truss Head Screw	*	2
36	10mm Flat Washer	*	2	75	25mm Wavy Washer	*	1
37	Work Stop	04660.00	1		Recommended Accessories		
38	Stop Bracket	03317.00	1	Δ	Heavy Duty Floor Stand	?????	1
39	Drive Wheel	04661.00	1	Δ	Operator's Manual	16696.00	1

Δ Not Shown.

* Standard hardware item available locally.

NOTES

NOTES

WARRANTY**FULL TWO YEAR WARRANTY ON PALMGREN BELT AND DISC SANDER**

If within two full years from the date of purchase, this Palmgren Belt and Disc Sander fails due to a defect in material or workmanship, Palmgren will repair it free of charge.

To order parts for a non-warranty repair, please contact your preferred Palmgren distributor. To obtain the names of Palmgren distributors or to arrange warranty return, please call Palmgren Steel Products directly at (800) 621-6145.

This warranty gives you specific legal rights and you may have other rights which vary from state to state.

Palmgren Steel Products, Inc., 8383 S. Chicago Avenue, Chicago, IL 60617

