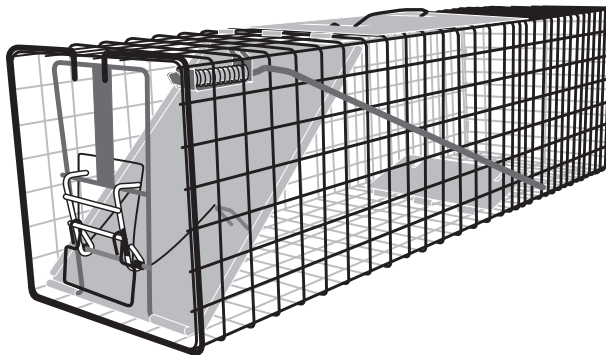




ADVANTEK

INSTRUCTION MANUAL

ADVANTEK SELECT CATCH & RELEASE TRAP

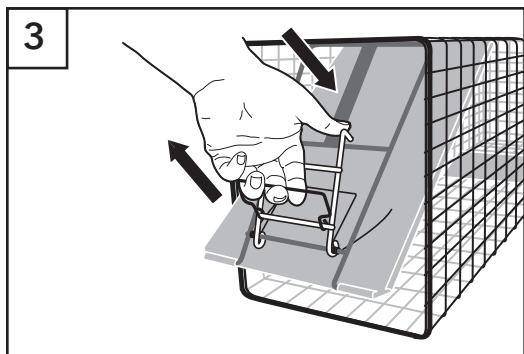
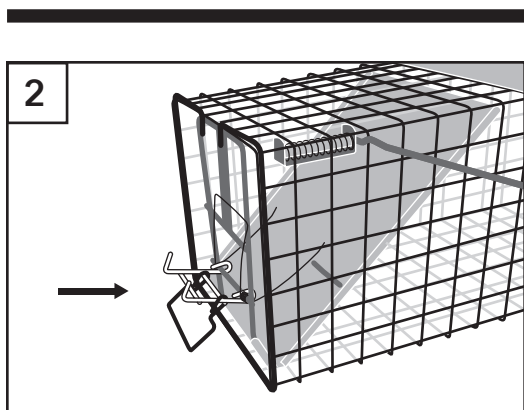
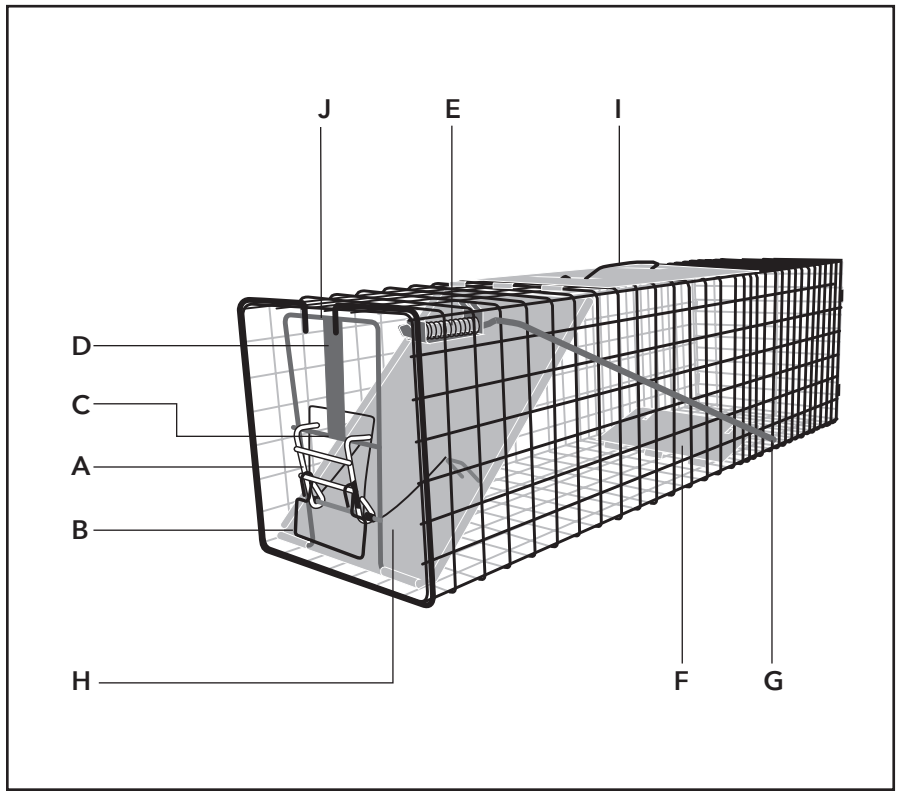


STRONGER. FASTER. SAFER.

20091, 20092, 20093

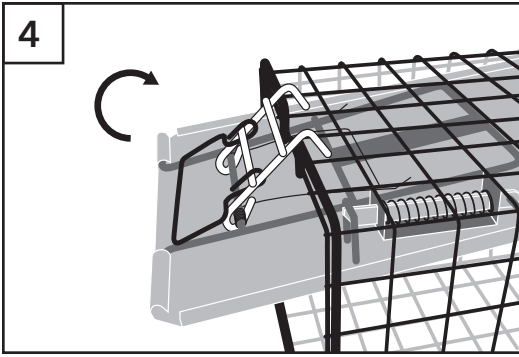
PARTS SECTION:

- A Yellow Safety Lock
- B Door Handle
- C Horizontal Door Support Bar
- D Vertical Push Bar
- E Spring Loaded Door Latch
- F Trip Plate
- G Trip Plate Elbow
- H Trap Door
- I Carrying Handle
- J U-shaped Trap Spring

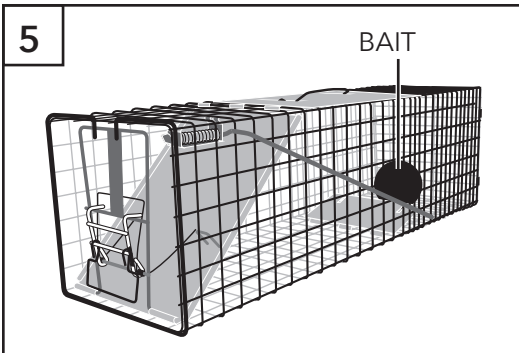


HOW TO SET THE TRAP:

- 1 Familiarize yourself with the trap and the trap parts.
- 2 Make sure the Yellow Safety Lock is released from the Horizontal Door Support Bar.
- 3 Push in the Vertical Push Bar while lifting the trap door with the Door Handle. Lift until the Trap Door catches securely on the Spring Loaded Door Latch.



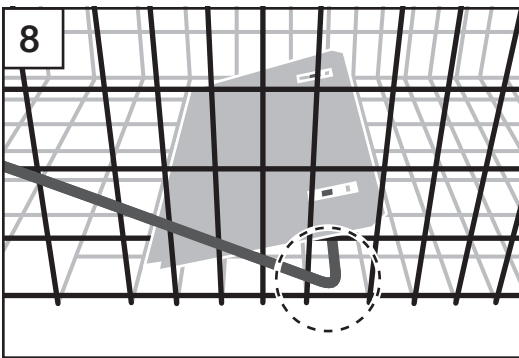
4 Rotate the **Yellow Safety Lock** over the top horizontal bar.



5 With the **Yellow Safety Lock** secured it is now safe to bait the trap. Be sure to place bait behind the **Trip Plate** towards the back of the trap.

6 Once the bait is in place, carefully unhook the **Yellow Safety Lock** from the top of the trap and close the **Trap Door** by pushing on the **Elbow** of the **Trip Plate**. Snap the **Yellow Safety Lock** back into place onto the **Horizontal Support Bar**.

7 Reset the trap by repeating step 3.



8 Test the trap to ensure it is operating properly by pushing down on the **Elbow** of the **Trip Plate**.

9 Once the trap is tested and working, repeat step 3 to set the trap again.

* Any camouflage used to hide the trap must not interfere with the moving functions of trap, i.e. the **Trip Plate** or the **Spring Loaded Door Latch**. This is why testing the trap before use is important!

BAITING THE TRAP:

- 1 Never bait the trap while it is set and active. Always ensure the **Yellow Safety Lock** is secured and in place before baiting.
- 2 Do not place bait on the **Trip Plate**. Place bait behind the **Trip Plate** towards the back of the trap. This is important because the animal needs to step on the **Trip Plate** in order to set off the trap.
- 3 To increase the likelihood of catching the desired animal you will need to make the bait difficult to be retrieved by the animal. This can be done with the **Advantek Bait Holder** (*Item #20001 - See advantekmarketing.com for availability*).

SUGGESTED BAITS:

Chipmunks, Flying Squirrels, Rats, Weasels	apples, cereals, cheese, nuts, peanuts, seeds
Minks, Rabbits, Squirrels	cereals, fresh vegetables, nuts
Ferrets, Muskrats	apples, carrots, fresh vegetables
Opossums, Porcupines, Skunks, Stray Cats, Woodchucks	cat food, crisp bacon, fish, fresh vegetables
Bobcats, Nutrias, Raccoons	cat food, crisp bacon, fish, fresh vegetables

RELEASE OF CAPTURED ANIMAL:

- 1** Always check local laws and ordinances before releasing animals. Contact your local animal control for correct animal removal procedures or to have them remove the animal for you.
- 2** Do not transport a trapped animal in an enclosed interior of a vehicle.
- 3** Use extreme caution. Many wild animals carry diseases which may be fatal to humans. It is recommended that you use heavy gloves and safety goggles when dealing with captured wild animals.
- 4** Do not attempt to pet or domesticate the animal. The trapped target will likely be agitated and hostile.
- 5** Be sure to release the animal far enough away from your property to prevent any return visits.
- 6** After transporting the trapped animal to desired release location, proceeding with caution, lift the trap door and secure The Yellow Safety Lock to prop the door open and back away slowly to about 15-20 feet making sure not to cross in front of the open door. The animal will eventually leave the trap, but only collect the trap once the animal is at a considerable and safe distance from you.

WARRANTY:

5 year limited warranty. This warranty covers any manufacturer's defects to your **Advantek Select Trap**.

To extend your warranty by 1 year please register your product with us by sending a photo of your receipt and email to: warranty@advantekmarketing.com with your name and contact information.

ADVANTEK

DESIGNED IN MOORPARK, CA.
MADE IN CHINA

5400 Tech Circle, Suite 101
Moorpark, CA 93021

Ph. (800) 664-4939
Fax (805) 517-1183