




ADJUSTABLE SAWHORSE OWNER'S MANUAL



 **WARNING:** Read carefully and understand all **INSTRUCTIONS** before operating. Failure to follow the safety rules and other basic safety precautions may result in serious personal injury.

ITEM # TMW-10

INTENDED USE

This adjustable metal sawhorse has serrated jaws that hold logs securely when cutting with a chain saw. A side connection bar helps keep the setup stable.

TECHNICAL SPECIFICATIONS& PACKING LIST

Item	Description
Max Capacity	330 lbs. (150kg)
Product Dimensions	31.5in.x31.5in.x35.43in. (80x80x90cm)
Adjustable Size	60°, 70°, 80° increments

GENERAL SAFETY RULES



WARNING: Read and understand all instructions. Failure to follow all instructions listed below may result in serious injury.

Manual cannot cover all possible conditions or situations that could occur. It must be understood by the operator that common sense and caution are factors which cannot be built into this product, but must be supplied by the operator.



WARNING: The warnings, cautions, and instructions discussed in this instruction

SAVE THESE INSTRUCTIONS

WORK AREA

- **Keep work area clean**, free of clutter and well lit. Cluttered and dark work areas can cause accidents.
- **Do not use your tool where there is a risk of causing a fire or an explosion;** e.g. in the presence of flammable liquids, gasses, or dust. Power tools create sparks, which may ignite the dust or fumes.
- **Keep children and bystanders** away while operating a power tool. Distractions can cause you to lose control, so visitors should remain at a safe distance from the work area.
- **Be aware of all power lines, electrical circuits,** water pipes and other mechanical hazards in your work area, particularly those hazards below the work surface hidden from the operator's view that may be unintentionally contacted and may cause personal harm or property damage.
- **Be alert of your surroundings.** Using power tools in confined work areas may put you dangerously close to cutting tools and rotating parts.

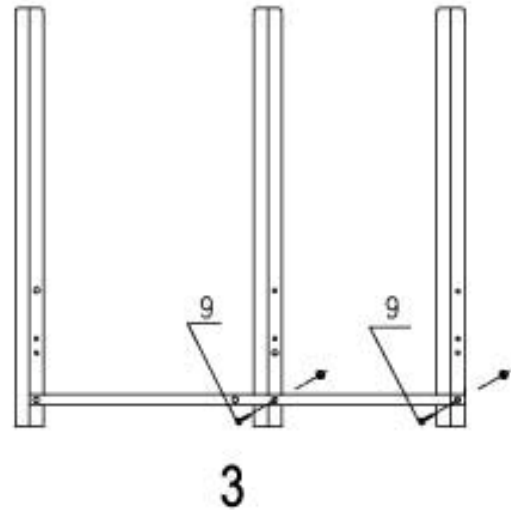
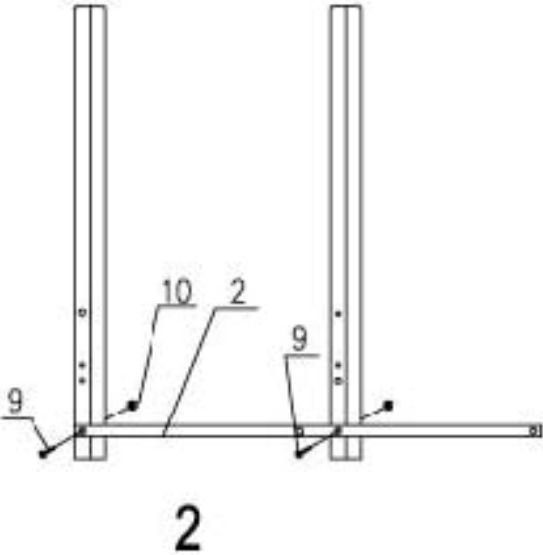
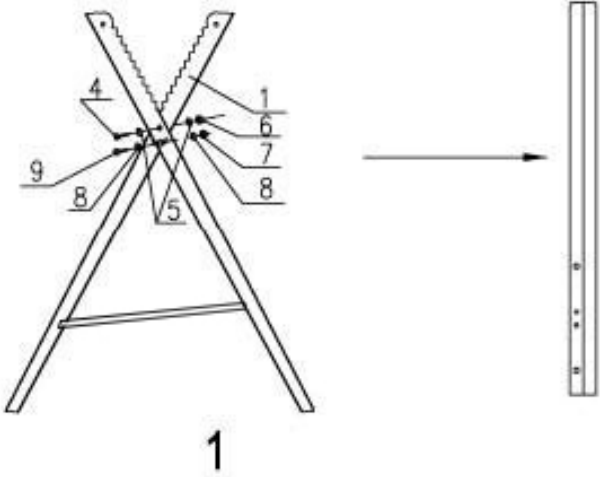
PERSONAL SAFETY

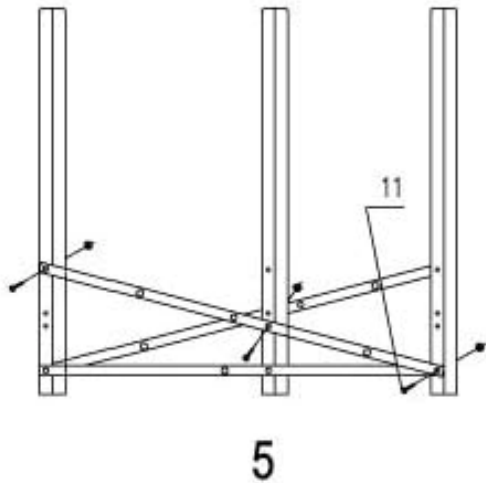
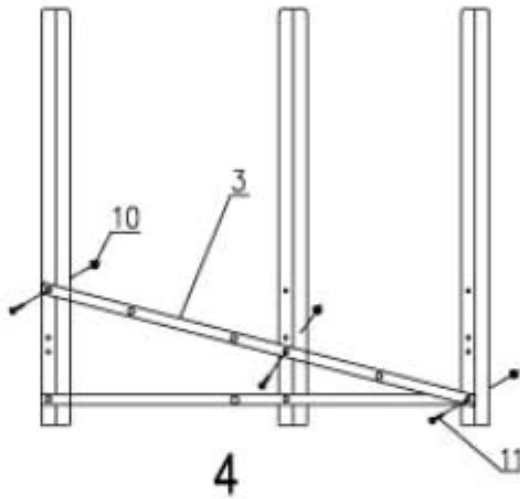
- **Stay alert**, watch what you are doing and use common sense when operating a chain saw with this Adjustable Sawhorse. Do not use a chain saw while you are tired or under the influence of drugs, alcohol or medication. A moment of inattention while operating power tools may result in serious personal injury.
- **Dress properly**. Do not wear loose clothing, dangling objects, or jewelry. Keep your hair, clothing and gloves away from moving parts. Loose clothes, jewelry or long hair can be caught in moving parts. Air vents often cover moving parts and should be avoided.
- **Use safety apparel and equipment**. Use safety goggles or safety glasses with side shields which comply with current national standards, or when needed, a face shield. Use a dust mask in dusty work conditions. This applies to all persons in the work area. Also use non-skid safety shoes, hardhat, gloves, dust collection systems, and hearing protection when appropriate.
- **Do not overreach**. Keep proper footing and balance at all times.

TOOL USE AND CARE

- **Do not force the Sawhorse**. Tools do a better and safer job when used in the manner for which they are designed. Plan your work, and use the correct tool for the job.
- **Secure work** with clamps or a vise instead of your hand to hold work when practical. This safety precaution allows for proper tool operation using both hands.
- **Storing the Sawhorse**. When tools are not in use, store them in a dry, secure place out of the reach of children. Inspect tools for good working condition prior to storage and before re-use.
- **Use only accessories that are recommended** by the manufacturer for your model. Accessories that may be suitable for one tool may create a risk of injury when used on another tool.
- **Keep guards in place** and in working order.
- **Never leave tool** unattended.
- **Make sure** the safety cross hook (on the bottom ends) is firmly secured before each use.

ASSEMBLY

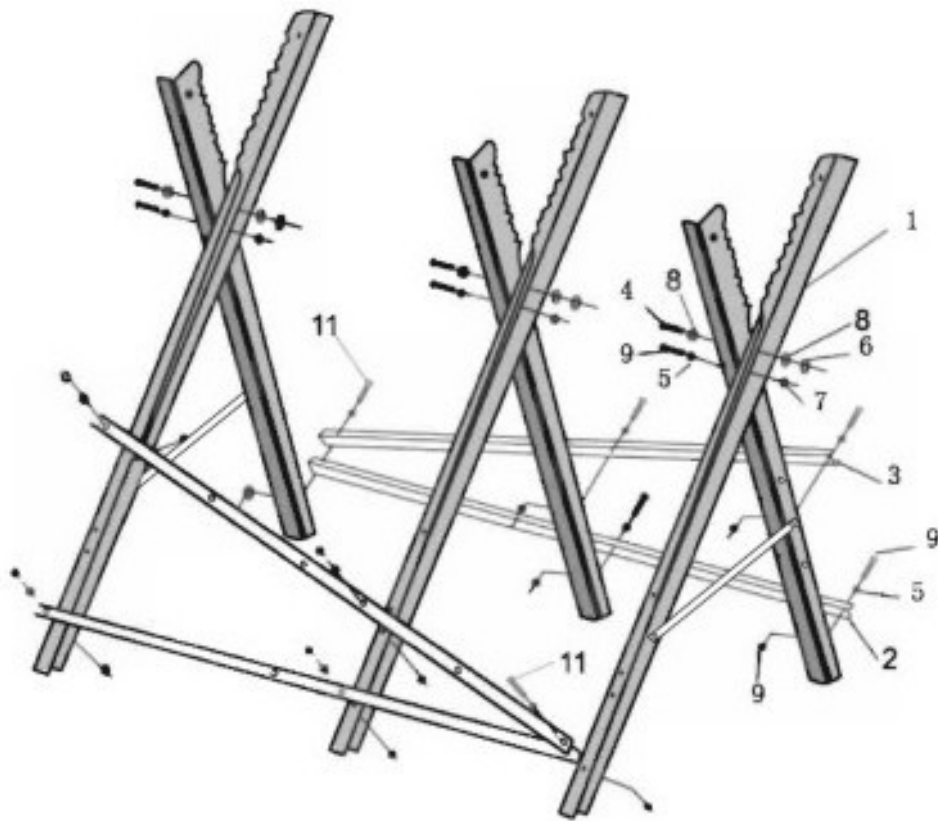




MAINTENANCE

- **Maintain your tools.** It is recommended that the general condition of any tool be examined before it is used. Keep your tools in good repair by adopting a program of conscientious repair and maintenance in accordance with the recommended procedures found in this manual. If any abnormal vibrations or noise occurs, turn the tool off immediately and have the problem corrected before further use. Have necessary repairs made by qualified service personnel.
- **Cleaning.** Use only soap and a damp cloth to clean your tools. Many household cleaners are harmful to plastics and other insulation.

DIAGRAM & PARTS LIST



Part#	Description	Qty.
1	Sawtooth	6
2	Short crosspiece	2
3	Long crosspiece	2
4	Screw M8×16	3
5	Pad Φ 8	3
6	Nylon nut M8	3
7	Nylon nut M6	3
8	Pad Φ 6	13
9	Screw M6×12	11
10	Nut M6	10
11	Screw M6×35	2

For replacement parts and technical questions, please call 1-218-943-6290.

WARRANTY

One-Year Limited Warranty



PO BOX 155
Miltona, MN 56354
PH: 218-943-6290
FX: 218-943-6292
www.timbertufftools.com