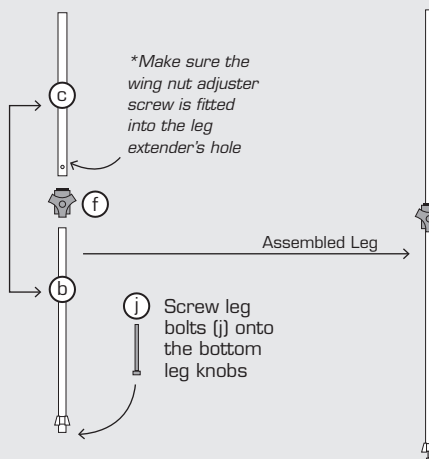


Cargo Barrier**Instructions and care****1. Assemble crossbars:**

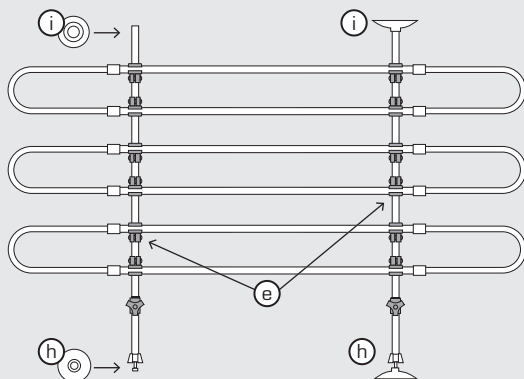
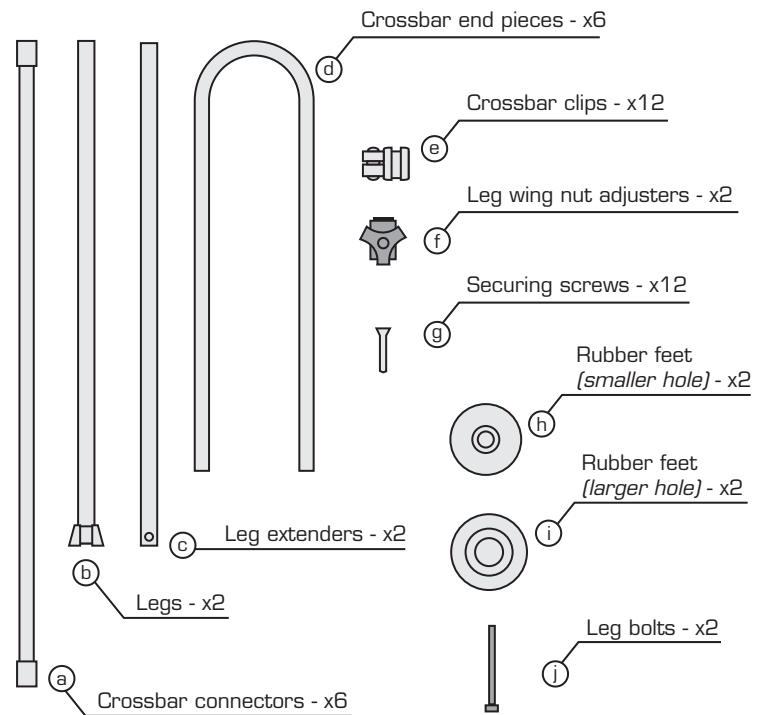
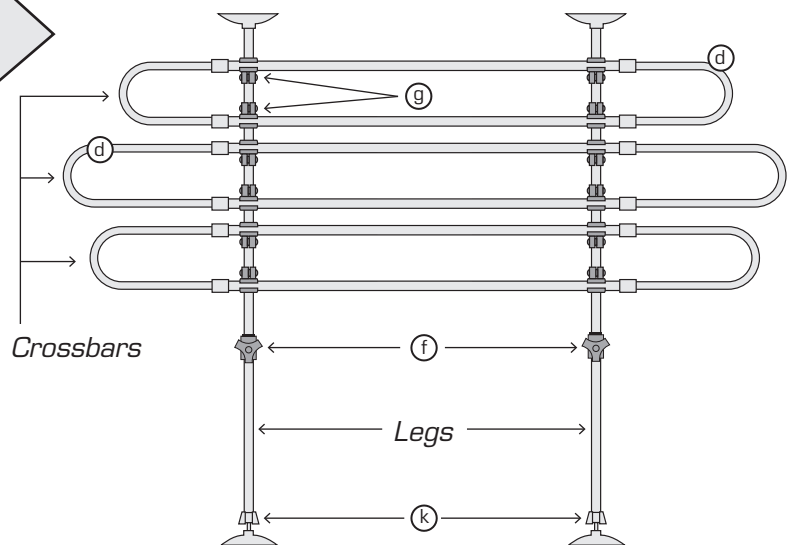
- 1.1** Crossbar connectors + End pieces
- 1.2** Snap on crossbar clips (e)
(Tip: Crossbar clips can be run under hot water to make them more pliable during installation. Align the screw holes so they are facing same direction)
- 1.3** Screws (g) go in each crossbar clip (e)
(Do not tighten fully until Step 3.5)

2. Assemble crossbars on the barrier legs:

- 2.1** Assemble barrier legs first. Insert ends of the leg (b) into the leg extender (c) and fit the wing nut adjuster (f) over both. Tighten the wing nut adjuster just enough to hold the two pieces together. (Do not tighten fully until Step 3.3)



- 2.2** Slide assembled Legs through the crossbar clips (e) on the three Crossbars. Affix the rubber feet (i) and (h).

**Pieces Included:****3. Install barrier in your vehicle:**

- 3.1** Ensure the intended installation area is clean and free of obstruction. Do not install on parcel shelf or other non-permanent structure.
- 3.2** Place the barrier in the back of the car, and expand the Legs upwards until they extend from the floor to the roof.
- 3.3** Once the barrier is wedged in place, tighten the wing nut adjusters (f) to secure. To micro-adjust for a sturdier fit, twist the bottom leg knobs (k) counter-clockwise.
- 3.4** With the Legs now installed, move the Crossbars up or down to create the barrier between the car seating area and the car trunk. You can also adjust the width by pulling outward on the crossbar end pieces (d).
- 3.5** Tighten the securing screws (g) with a screwdriver to fix the Crossbars in place.



These products prevent dogs from getting into the front seat where they can interfere with the driver and cause distracted driving accidents. They do this either as a physical barrier to the front seat or as a restraint to keep pets from roaming around in the car.

NOTICE: Please contact Kurgo directly with any product or warranty inquiries.