



ADJUSTABLE SHARPENER & GRINDER STAND

OWNER'S MANUAL



WARNING:

Read carefully and understand all **ASSEMBLY AND OPERATION INSTRUCTIONS** before operating. Failure to follow the safety rules and other basic safety precautions may result in serious personal injury.

Item# CS-BWMASS

Thank you very much for choosing this product! For future reference, please complete the owner's record below:

Model: _____CS-BWMASS_____ Purchase Date: _____

Save the receipt, warranty and these instructions. It is important that you read the entire manual to become familiar with this product before you begin using it.

This product is designed for certain applications only. The manufacturer cannot be responsible for issues arising from modification. We strongly recommend this product not be modified and/or used for any application other than that for which it was designed. If you have any questions relative to a particular application, DO NOT use the product until you have first contacted us to determine if it can or should be performed on the product.

For technical questions please call **1-218-943-6290**.

INTENDED USE

This adjustable sharpener/grinder stand is intended to be used with bench mounted sharpeners, grinders and other bench tools. This unit is designed to be adjustable in height to sharpen or grind in sitting or standing positions.

TECHNICAL SPECIFICATIONS

Item	Description
Adjustable Height	34" to 55"
Dimensions:	34" x 14" x 14"
Weight Capacity:	50 LBS

GENERAL SAFETY RULES



WARNING: Read and understand all instructions. Failure to follow all instructions listed below may result in serious injury.



CAUTION: Do not allow persons to operate or assemble this sharpener/grinder stand until they have read this manual and have developed a thorough understanding of how the sharpener/grinder stand works.



WARNING: The warnings, cautions, and instructions discussed in this instruction manual cannot cover all possible conditions or situations that could occur. It must be understood by the operator that common sense and caution are factors which cannot be built into this product, but must be supplied by the operator.

SAVE THESE INSTRUCTIONS

WORK AREA

- **Keep work area clean**, free of clutter and well lit. Cluttered and dark work areas can cause accidents.
- **Keep children and bystanders** away while operating a sharpener/grinder stand. Distractions can cause you to lose control, so visitors should remain at a safe distance from the work area.
- **Be alert of your surroundings.** Using a sharpener/grinder stand in confined work areas may put you dangerously close to cutting tools and rotating parts.

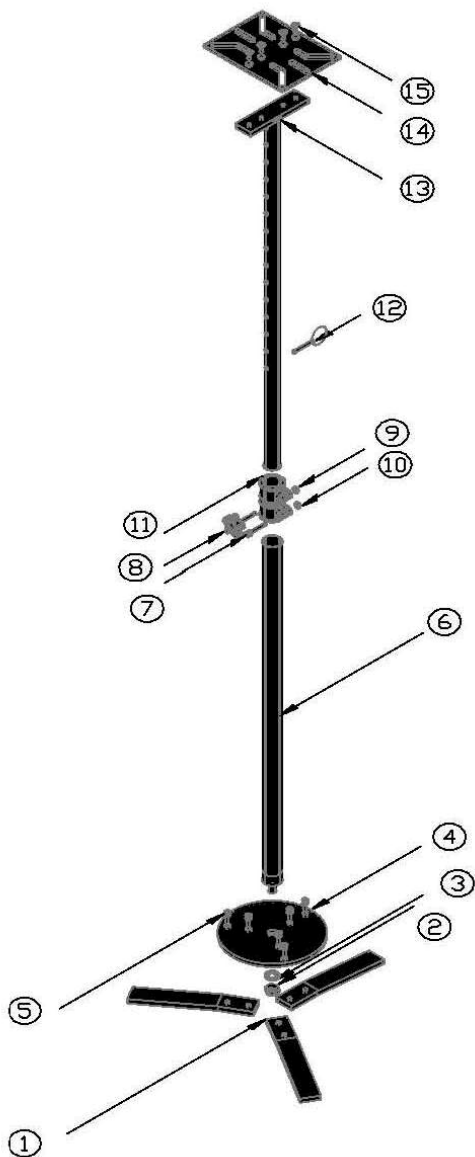
PERSONAL SAFETY

- **Stay alert**, watch what you are doing and use common sense when using a sharpener/grinder stand. Do not use a sharpener/grinder stand while you are tired or under the influence of drugs, alcohol or medication. A moment of inattention while operating a sharpener/grinder stand may result in serious personal injury.
- **Dress properly.** Do not wear loose clothing, dangling objects, or jewelry. Keep your hair, clothing and gloves away from moving parts. Loose clothes, jewelry or long hair can be caught in moving parts.
- **Use safety apparel and equipment.** Use safety goggles or safety glasses with side shields which comply with current national standards, or when needed, a face shield. Use a dust mask if working in dusty work conditions. This applies to all persons in the work area. Also use non-skid safety shoes, hardhat, gloves, dust collection systems, and hearing protection when appropriate.

USE AND CARE

- **Do not modify the** sharpener/grinder stand **in any way.** Unauthorized modification may impair the function and/or safety and could affect the life of the equipment. There are specific applications for which the sharpener/grinder stand was designed.
- **Always check for damaged or worn out parts before using the** sharpener/grinder stand. Broken parts will affect the sharpener/grinder stand operation. Replace or repair damaged or worn parts immediately.
- **Do not exceed the** sharpener/grinder stand **load capacity.**
- **Distribute the load evenly.** Uneven loads may cause the sharpener/grinder stand to tip, resulting in personal injury to the operator or others.
- **Use the** sharpener/grinder stand **on flat and level surfaces** capable of supporting the sharpener/grinder stand and its maximum load. Pulling or pushing a load on a slanted or uneven surface can result in loss of control.
- **Store idle** sharpener/grinder stand. When sharpener/grinder stand is not in use, store it in a secure place out of the reach of children. Inspect it for good working condition prior to storage and before re-use.

DIAGRAM & PARTS LIST



Part#	Description	Qty.
1	Foot Plate	3
2	Post Nut – M16	1
3	Flat Washer	1
4	Round Base Plate	1
5	Hex screw – M8x20	6
6	Bottom Post/Tube	1
7	Hex screw – M6x25	1
8	Tightening Knob	1
9	Nut – M8	1
10	Nut – M6	1
11	Connector Bushing	1
12	Adjusting Pin	1
13	Top Post/Tube	1
14	Mounting Plate	1
15	Counter-sunk bolts – M8x16	4

For replacement parts and technical questions, please call **1-218-943-6290**.

WARRANTY

One-year limited warranty



TG
 PO BOX 155
 Miltona, MN 56354