

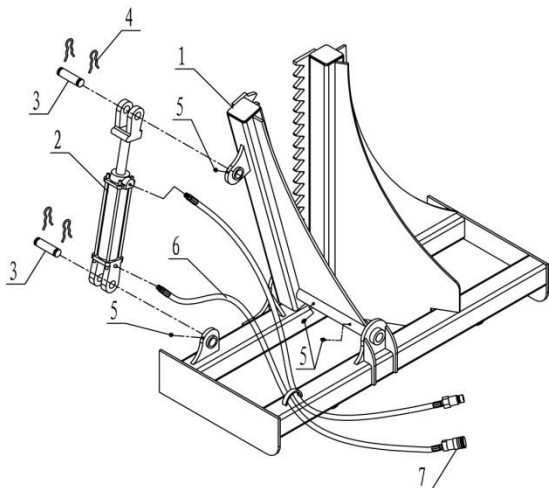


## Important Safety Warnings and Instructions:

- Operator must read and understand all safety precautions, warnings and instructions before use. This product is ONLY to be used by an Adult.
- The Hydraulic Post/Tree Grubber designed for outdoor use only.
- Before each use, ALWAYS check that the Frame is securely attached to skid loader (refer to vehicle owner's manual for specifics regarding capacities and operation limits).
- Check the Hydraulic Post/Tree Grubber after each use for any signs of damage or wear. DO NOT USE if damaged. Replace or repair damaged or worn parts immediately.
- ALWAYS keep any body parts or limbs away from Hydraulic Post/Tree Grubber while attaching Hydraulic Post/Tree Grubber to skid loader.
- Always cut trees off 3' above the ground before pulling out of the ground.

## Instructions:

1. Insert the Pin (#3) to assemble the hydraulic cylinder (#2) onto the Frame (#1), using R Pin (#4) to lock.
2. Insert the hydraulic hose (#6) into the hydraulic cylinder (#2) according to the diagram.
3. Attach frame to the skid loader.
4. Connect the quick coupler (#7) to connect the skid loader couplers.
5. Screw in the grease zerk (#5) to the frame (#1).



## PARTS LIST

Part #	Description	Qty
1	Frame	1
2	Hydraulic cylinder	1
3	Pin	2
4	R pin	4
5	Grease zerk	4
6	Hydraulic hose	2
7	Quick coupler(set)	1



### WARNING

BAC Industries, Inc. and Brush Grubber will not be held liable for any damages, losses, or injury, due to misapplication or misuse of this product or for any other reason. Always wear approved safety glasses, protective clothing, and proper hand and foot protection at all times. Keep all people and pets or animals clear from brush removal work area.

BrushGrubber.com  
PO BOX 155  
MILTONA, MN 56354

PH: 218-943-6290  
[www.brushgrubber.com](http://www.brushgrubber.com)  
Email: [info@brushgrubber.com](mailto:info@brushgrubber.com)

See other unique items at [BrushGrubber.com](http://BrushGrubber.com)

FOR ANY QUESTIONS, PLEASE CONTACT OUR OFFICE OR VISIT [WWW.BRUSHGRUBBER.COM](http://WWW.BRUSHGRUBBER.COM)