

Important Safety Warnings and Instructions:

- Operator must read and understand all safety precautions, warnings, and instructions before using this product. This product ONLY to be used by an Adult.
- The Post/Tree Puller is designed for outdoor use only.
- ALWAYS secure the Post/Tree Puller to forks by tightening Hex Bolts (see instructions)
- Before each use, ALWAYS check that forks are securely attached to skid loader/tractor (refer to vehicle owner's manual for specifics regarding capacities and operation limits).
- Check the Post/Tree Puller after each use for any signs of damage or wear. DO NOT USE if damaged, repair before re-using.
- ALWAYS keep any body part or limbs away from Post/Tree Puller blades or moving parts, while attaching Post/Tree Puller and during operation.



Instructions:

1. Attach to operating vehicle forks and secure forks by tightening Hex Bolts.
2. Position the post/tree to be removed between the two blades positioning the Post/Tree Puller near the bottom of the post/tree approximately 1 foot above the ground. If removing objects that are taller than 4 ft, cut off the post or tree first to avoid from falling on the operator or operating vehicle.
3. Using operating vehicle, now raise the forks to remove the post or small tree.
4. After the post or small tree is removed. Move to clear area and lower forks so removed post or tree rests on the ground; Continue lowering forks, then blades will release by tilting upward. Next back away from post/tree. CAUTION, be sure post/tree is in clear area not to damage any property, objects, people, pets or operator.
5. Check for damage and that debris is all clear, then repeat step 1.

Note: See parts breakdown on back of page



WARNING

BAC Industries, Inc. and Brush Grubber will not be held liable for any damages, losses, or injury, due to misapplication or misuse of this product or for any other reason. Always wear approved safety glasses, protective clothing, and proper hand and foot protection at all times. Keep all people and pets or animals clear from brush removal work area.

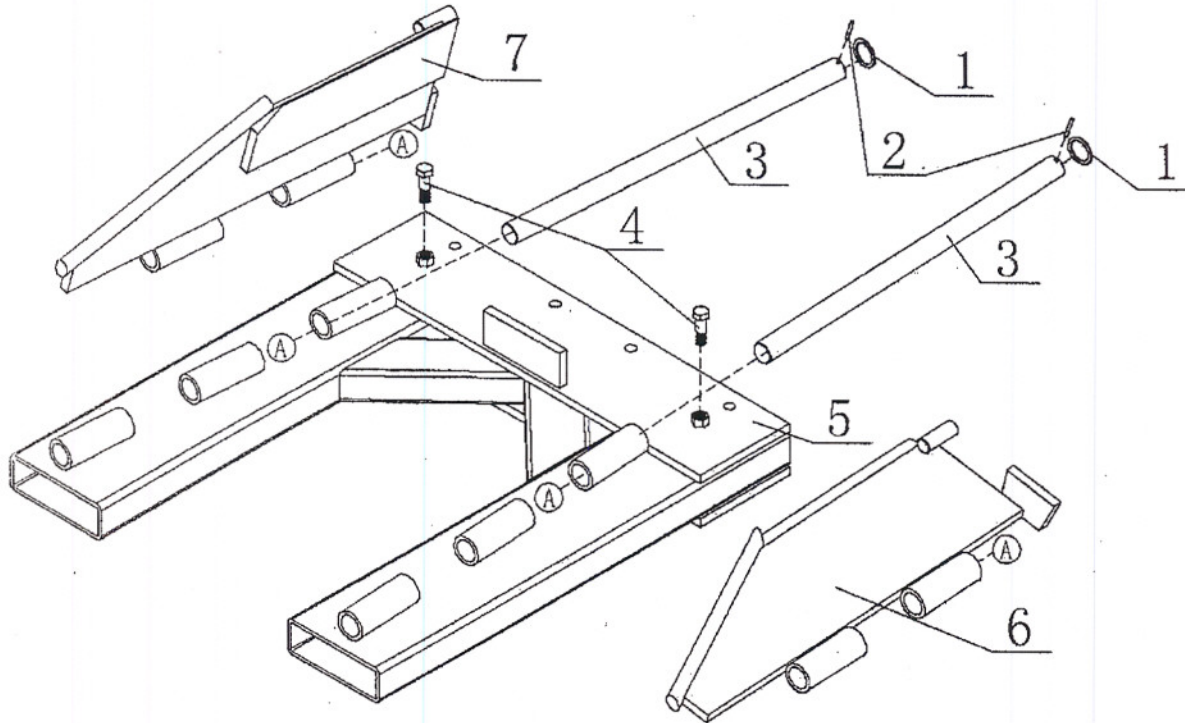
Brushgrubber.com
PO Box 155
Miltona, MN 56354

PH: 218-943-6290
www.brushgrubber.com
Email: info@brushgrubber.com

See other unique items at BrushGrubber.com

TREE/POST PULLER

Model #: **BG-10**



Ref. #	Qty	Part #	Description
1	2	BG10-01	Flat Washer $\varnothing 36 \times \varnothing 29 \times 2$
2	2	BG10-02	Roll Pin $\varnothing 4 \times 35$
3	2	BG10-03	Rotating Shaft $\varnothing 28 \times 520$
4	2	BG10-04	Hex Bolt M12x40
5	1	BG10-05	Main Body
6	1	BG10-06	Right Blade
7	1	BG10-07	Left Blade



WARNING

BAC Industries, Inc. and Brush Grubber will not be held liable for any damages, losses, or injury, due to misapplication or misuse of this product or for any other reason. Always wear approved safety glasses, protective clothing, and proper hand and foot protection at all times. Keep all people and pets or animals clear from brush removal work area.

Brushgrubber.com
PO Box 155
Miltona, MN 56354

PH: 218-943-6290
www.brushgrubber.com
Email: info@brushgrubber.com

See other unique items at BrushGrubber.com

FOR ANY QUESTIONS, PLEASE CONTACT OUR OFFICE OR VISIT WWW.BRUSHGRUBBER.COM