

## IMPORTANT SAFETY INFORMATION

Read and understand all safety precautions and instructions before use.

- The Brush Grubber is designed for outdoor use.
- Check Brush Grubber before each and every use for signs of wear. Do Not use if damaged or if not working properly
- The New 8" Brush Grubber is designed to remove tree stumps up to 8" diameter
- The Brush Grubber is not to be used on people or pets.
- **For use with pick - ups, SUV's, tractors, & skid loaders.**



Figure 1

## INSTRUCTIONS

For use with shallow rooted trees and brush. Functionality can vary by root system, tree type, soil type, and ground condition.

1. Cut tree off at 3ft to 4ft above the ground prior to removal.
2. Place the Brush Grubber on each side of the stump near the top with spring on the Brush Grubber placed towards the ground.

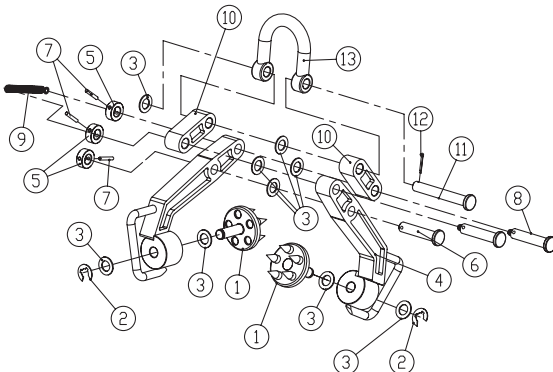
3. Securely Attach a chain to the clevis of the Brush Grubber and the opposite end of the chain to the towing/pulling vehicle. Take caution that the chain is long enough so the tree stump will not hit/strike the operator of the towing/pulling vehicle. **DO NOT jerk the Brush Grubber while there is slack in the chain.**

4. To remove the Brush Grubber from the stump push back on the clevis (towards the stump) or pull jaws open using the large rugged handles on each side of the jaws.

\* Take caution of all pinch points on the Brush Grubber.

\* Take caution of Grip Pads when opening the jaws of the Brush Grubber. Keep fingers and hands free and clear.

## BRUSH GRUBBER PARTS DESCRIPTION



Ref#	Q'ty	Part#	Description
1	2	BG30-01	Grip Pad
2	2	BG30-02	E-clip(Grip Pad)Φ15
3	9	BG30-03	Small WasherΦ20*2
4	2	BG30-04	Main Arm
5	3	BG30-05	Collar
6	1	BG30-06	Center Shaft
7	3	BG30-07	Roll PinsΦ6*38
8	2	BG30-08	Spring Shaft
9	1	BG30-09	Spring
10	2	BG30-10	Clevis Arm
11	1	BG30-11	Shaft
12	1	BG30-12	PinΦ4*30
13	1	BG30-13	Clevis



### WARNING

BAC Industries, Inc. and Brush Grubber will not be held liable for any damages, losses or injury due to the misapplication or misuse of this product or any other reason. Always wear approved safety glasses, protective clothing, and proper hand and foot protection at all times. Keep all people, pets, or animals clear from brush removal work area.

Brushgrubber.com  
P.O Box 155  
Miltona, MN 56354

PH: 218-943-6290  
www.brushgrubber.com  
Email: info@brushgrubber.com