

**IMPORTANT: READ THESE INSTRUCTIONS CAREFULLY AND FAMILIARISE YOURSELF WITH THE PRODUCT BEFORE LIGHTING OR USING. RE-READ THE INSTRUCTIONS PERIODICALLY TO REFRESH YOUR MEMORY. RETAIN THESE INSTRUCTIONS FOR FUTURE USE.**

**Gas Refilling:**

**Prior to filling with butane, make sure the gas refill valve is tight.**

- Use only high quality butane gas.
- Shake gas container a few times to warm fuel up.
- Move flame adjustment slide (2) to “ - ” position.
- Insert the container nozzle vertically down into the gas refill valve.
- Use pumping action for best results (**FIGURE A**)
- After fueling, allow a few minutes for gas to stabilize.

**Igniting:**

- Move flame adjustment slide (2) to “ + ” position.
  - Push down the safety lock (3) until it clicks in place (**FIGURE B**).
  - Press ignitor button (6). The flame will ignite instantly (**FIGURE C**).
- For safety reasons, the ignitor button will not depress unless safety lock is locked in place!

**Flame Adjustment:**

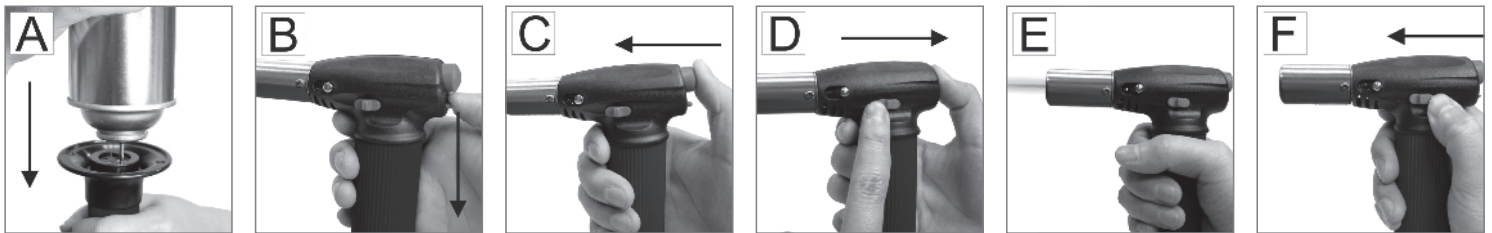
- Adjust the flame length during use by moving flame adjustment slide (2). Sliding toward the “ + ” symbol will make the flame longer , sliding towards the “ - ” symbol will make the flame shorter. For best results, keep the flame length at about 1/2” ~ 1” (10~25mm). Don't make the flame too long as it will only waste fuel and make the flame unstable.
  - Adjust the flame width during use by pushing the air control lever (4) with fingers. It is advised to operate and light with air control knob as far back as possible.
  - At higher altitudes, torch may not operate on maximum flame length setting (with slide pushed all the way to “ + ”). For best results, adjust the slide to the mid-range between “ + ” and “ - ”.
- Note: If the Ignitor Button is not fully pressed in the safety lock will immediately click up and you will not be able to press the ignitor button or light the blowtorch. If this occurs start the igniting procedure again (**See FIGURES B and C**).

**Turning Off:**

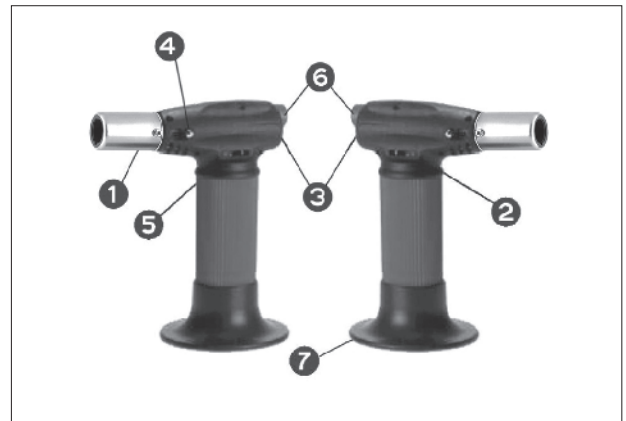
- To turn the flame off, simply release ignitor button.

**Using Continuous Flame feature:**

- **CAUTION:** Use extreme caution when flame is locked on as flame will be continuous and will not turn off until the continuous flame lock lever (5) is **MANUALLY** disengaged!!!
- While holding down the ignitor button (6), slide the continuous flame lock lever (5) towards you (**FIGURE D**).
- Release the ignitor button (6), the flame will remain on (**FIGURE E**).
- To turn the flame off, slide the continuous flame lock lever (5) away from you (**FIGURE F**).



This torch does not contain any butane gas when first purchased. Please retain these instruction for future use.



**Parts Identifications:**

- |                            |   |
|----------------------------|---|
| 1.) Flame Guard            | 5.) Continuous Flame Lock Lever           |
| 2.) Flame Adjustment Slide | 6.) Ignitor Button                        |
| 3.) Safety Lock            | 7.) Filler Valve (not shown, under torch) |
| 4.) Air Control Lever      |   |

**Warning: When torch is filled with butane, contents are under pressure use extreme caution as unit is highly flammable!**

**Caution:**

- Read directions before use.
- Keep out of reach of children.
- Do not touch flame guard when hot!
- Keep nozzle clean from dust and do not drop the torch, as these are the normal causes of malfunction.
- Always point away from face, body and clothing when ignition and operation.
- Do not store under direct sunlight or any place where temperatures will exceed 104°F (40°C).
- Butane gas is extremely flammable, handle with care.
- Make sure adjustment knob is firmly closed and flame is completely extinguished after each use.
- After use allow the torch to cool down before storing.
- Do not continually use torch for over 1 hour.
- Never puncture or place torch near heat or open flame.
- Follow all instructions and cautions on the fuel canister.
- To avoid from burning, do not use the torch in the inverted position.
- When the shuttle level is in the forward position , the soft flame will roll back and may cause injury. Please pay more attention while Using/Touching the shuttle level when in use.
- Do not leave unattended.



Do not try to repair or disassemble any parts of the torch.

**WARNING: Using This Product Will Expose The User To Chemicals Known To The State Of California. To Cause Cancer Or Birth Defects Or Other Reproductive Harm.**