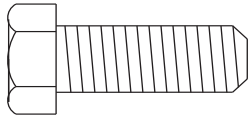
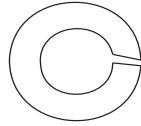


INSTRUCTIONS FOR SEARS, HUSQVARNA OR POULON TRACTORS WITH A SINGLE FRONT MOWER DECK SUSPENSION BRACKET

NEW PARTS ADDED TO PARTS BAG



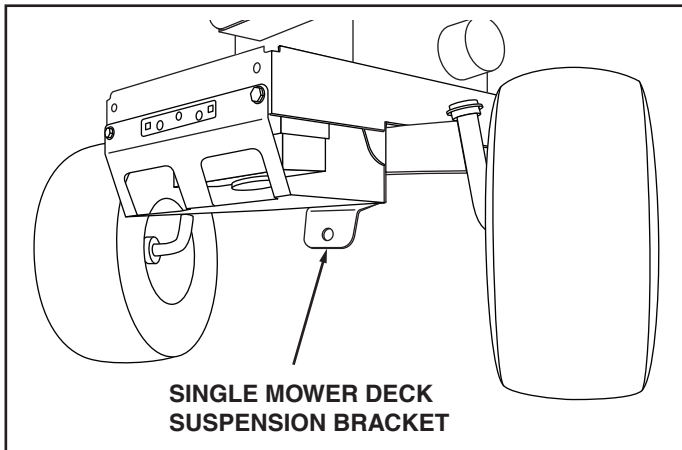
3/8 X 1" HEX BOLT (2)



3/8" LOCK WASHER (2)

STEP 1: (SEE FIGURE 1)

- If your tractor has a single, front mower deck suspension bracket like the one shown below, use the instructions on this sheet in place of the instructions on page 5 in your owner's manual.



SINGLE MOWER DECK SUSPENSION BRACKET

FIGURE 1

STEP 2: (SEE FIGURE 2)

- Use figure 2 to help identify the mounting holes in the tractor frame.
- Remove any bolts found in the mounting holes.
- Remove the browning shield from the front of the tractor as shown.

IMPORTANT: Be sure to reattach the browning shield in step 3.

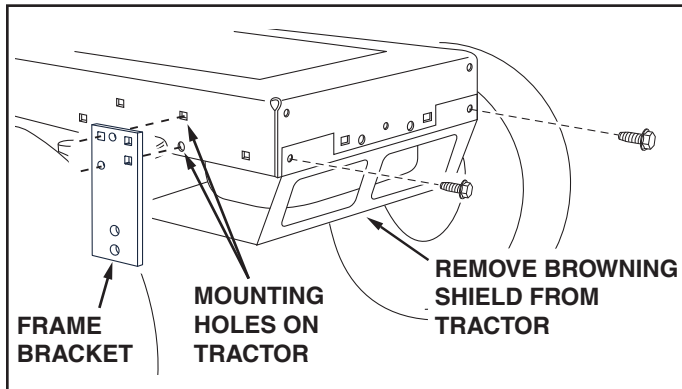


FIGURE 2

STEP 3: (SEE FIGURE 3)

- Attach a frame bracket to each side of the tractor frame using two 3/8" x 1" carriage bolts and 3/8" nylock nuts. If the lower hole in the tractor frame is threaded, use a 3/8" x 1" hex bolt and 3/8" lock washer for the lower hole. If the upper hole in the tractor frame is missing, leave out the upper bolt. **Do not tighten.**
- Re-attach the browning shield.

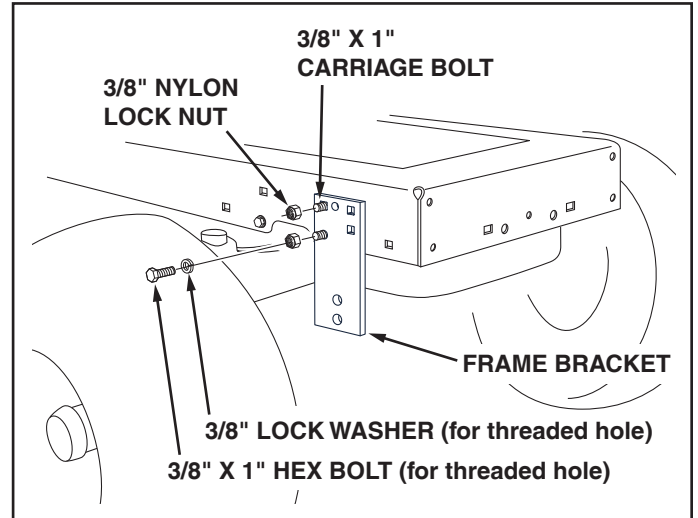


FIGURE 3

STEP 4: (SEE FIGURE 4)

- Stack the short Hanger Bracket on top of the long Hanger Bracket with the ends of the brackets pointing up. Align the first and third slots in both brackets with the middle set of slots in the thrust channel as shown.
- Fasten the brackets to the thrust channel using two 3/8" x 1-1/4" carriage bolts and 3/8" nylock nuts. Spread the brackets so that the ends are approximately 12-1/4" apart, measured from the outside. **Do not tighten.**
- Go to page 6 in your owner's manual.

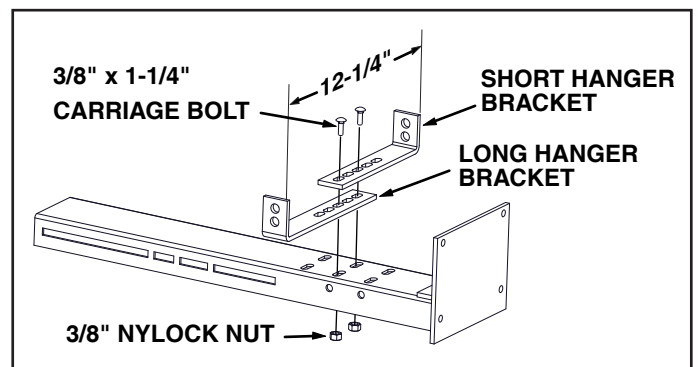


FIGURE 4