

DO NOT RETURN TO RETAILER  
IF YOU HAVE QUESTIONS OR CONCERNS PLEASE  
CALL BOND TOLL FREE#  
1-866-771-BOND (2663) OR TO BETTER EXPEDITE  
YOUR REQUEST FEEL FREE TO EMAIL US  
[customerservice@bondmfg.com](mailto:customerservice@bondmfg.com)  
OR LOG IN TO OUR WEBSITE UNDER CUSTOMER  
SERVICE SUPPORT  
[www.bondmfg.com](http://www.bondmfg.com)

# Assembly Instruction

Item# Y95570

**\*\* WARNING \*\***

**Read these instructions carefully and keep the fountain power off until the following assembly process is completed.**

## Notes:

- Choose an appropriate location for the fountain.
- Excessive weight or pressure on any of the fountain sections may cause it to fall. Keep pets, children, or anyone from sitting, leaning, or climbing on any of the fountain components.
- While fountain is designed to operate as splash free as possible, some water splashing out of the fountain is inevitable. Place the fountain in a location where any splashing will not cause damage.
- The National Electric Code requires that a ground fault circuit interrupter (GFCI) be used in the branch circuit supplying fountain pump and other pond equipment. Seek your electrical supplies dealer for this device.
- Always keep the fountain working with sufficient water and clean of debris and dirt to ensure proper functioning of the pump.
- If necessary, clean the fountain with a soft cloth and change the water frequently. Due to water evaporation, you may see a buildup of white residue on the fountain surface from mineral content in the water supply. To prevent such buildup, regularly clean the fountain with soap and water, do not use any abrasive, which may damage the applied finish.
- See the pump instructions for pump safety, maintenance, and warranty information.
- Keep this manual for future reference.

**use of water clarifier, or algaecide of any kind will damage the paint on the fountain and will not be covered under the manufactures warranty.**

## Installation & Assembly

- Place the fountain on a level surface, away from areas where it is likely to get clogged with leaves and make sure that the cable will reach the socket.
- Take out all the package parts from the carton
- Follow steps to assemble as illustrated below

Step 1: Screw part H to part G ; as shown in figure 1

Step 2: Screw part F to part G ; as shown in figure 2

Step 3: Screw part B to part A&C&D ; as shown in figure 3

Step 4: Screw part D to part E ; as shown in figure 4





Step 5: Pull out the flexible hose from the bottom of the fountain, then connect it to the pump outlet; as shown in figure 5

Step 6: Fill fountain with enough water to full submerge the pump

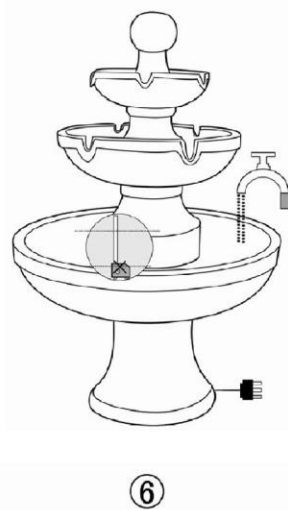
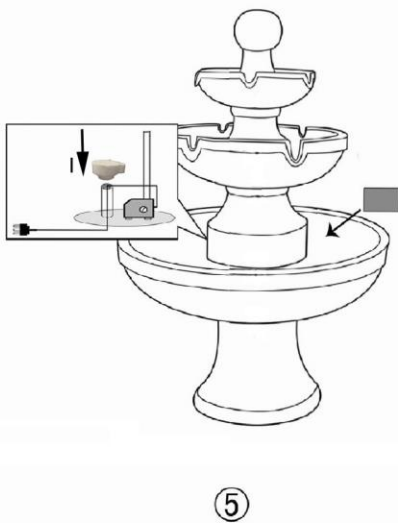
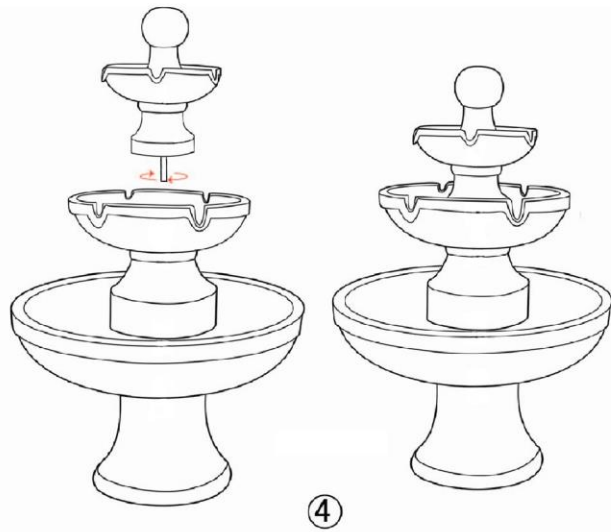
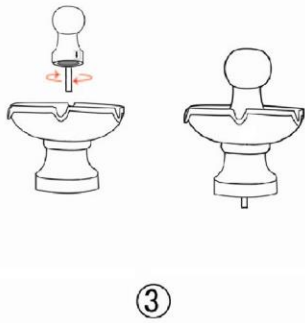
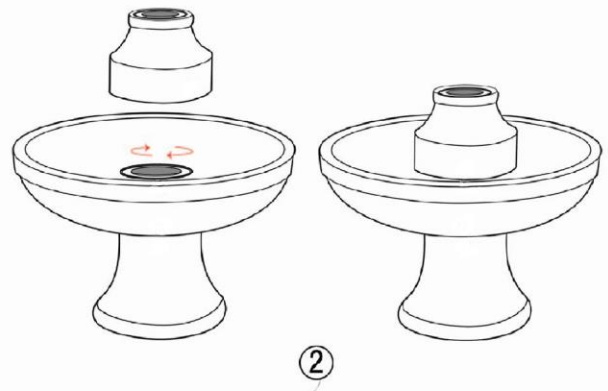
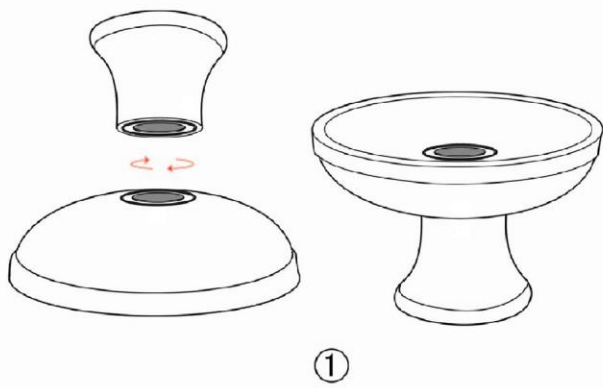
Fill the reservoir with clean water carefully or pipe water into fountain from the front. Always make sure the water can submerge the pump completely to work properly and prevent the pump damage. Plug the pump and adaptor then switch on, the water will start to flow in minutes.

- Adjust the pump flow rate to achieve the desired effect and to minimize any splashing, Splashing can occur if the flow rate is too high or the reservoir is too full. The flow rate can be increased or decreased by moving the flow rate control slider on the pump body. Moving the switch towards '+/ Max .' will increase the flow rate and moving it towards '-/Min' will decrease it. On some type of pumps, flow regulator may be turned clockwise or counterclockwise to adjust.

# Parts List

NO.	Photo	Qty
A		1
B		1
C		1
D		1
E		1
F		1
G		1
H		1
I		1

# Assemble photo from step 1 to step 6



## Troubleshooting

- - TURN OFF THE POWER BEFORE YOU CHECK FOLLOWING - -

If pump does not run.

- (1) Check the circuit breaker, try another outlet.
- (2) Check the water level in the fountain. Running the pump without sufficient water can damage the pump.
- (3) Check the setting of the flow control on the pump and adjust the flow.
- (4) Check the pump discharge and intake for dirt and debris.
- (5) Check the fountain feature tubing for kinks and obstructions.
- (6) The pump might be "air locked". Plug and unplug the pump several times to release the air inside the pump.
- (7) Check and reconnect all the cords and try again.

IF YOU HAVE QUESTIONS OR CONCERNS

PLEASE CALL BOND TOLL FREE #

1-866-771-BOND(2663) OR TO BETTER

EXPEDITE YOUR REQUEST FEEL FREE TO EMAIL US

[customer.service@bondmfg.com](mailto:customer.service@bondmfg.com)

OR LOG IN TO OUR WEBSITE UNDER CUSTOMER SERVICE SUPPORT

[www.bondmfg.com](http://www.bondmfg.com)