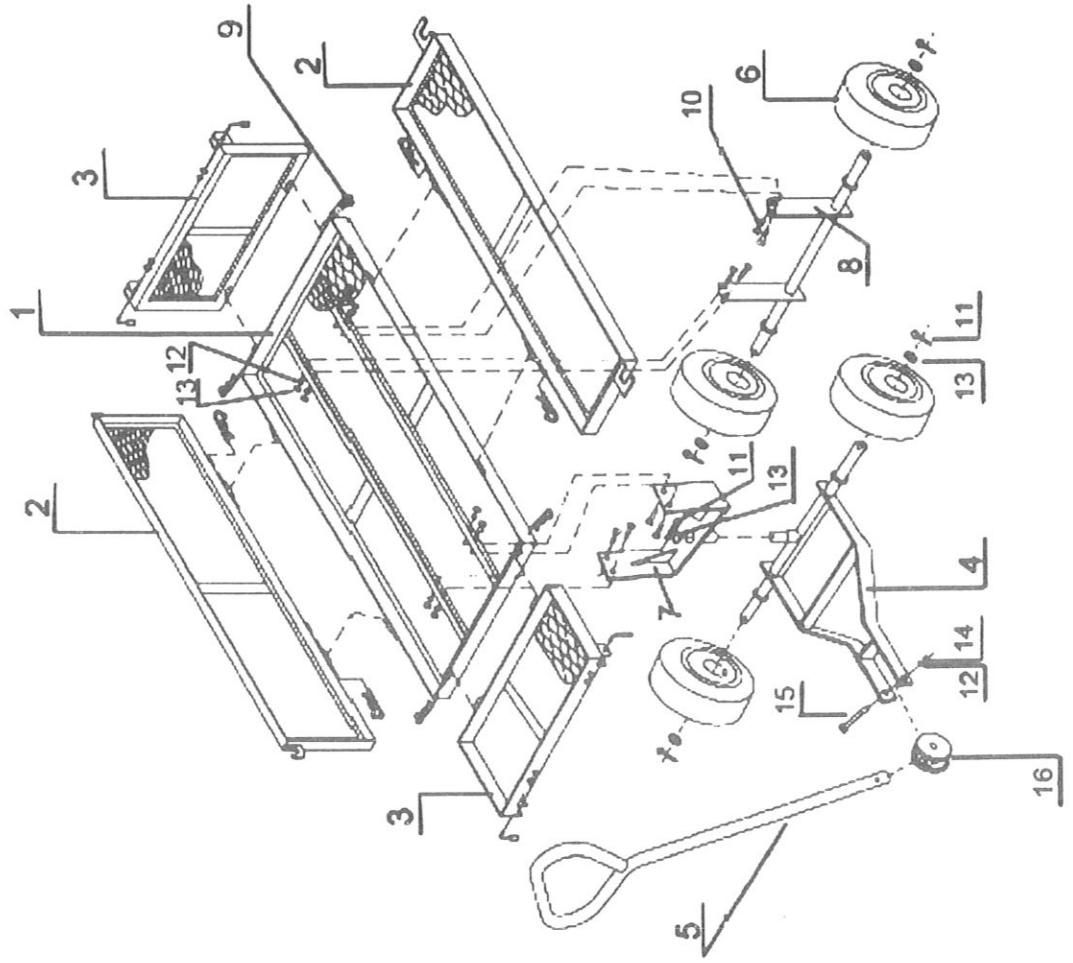


Assembly Instruction

Remarks:
 MAX LOAD: 330 LBS
 MAX INFLATION: 30 PSI



Part list:

- | | |
|-----------------------|----|
| 1. Base | 1x |
| 2. Side rack | 2x |
| 3. Front & Rear rack | 2x |
| 4. Front draw bar | 1x |
| 5. Handle | 1x |
| 6. Wheel | 4x |
| 7. Front bracket | 1x |
| 8. Rear bracket | 1x |
| 9. "B" Pin | 8x |
| 10. M8x15 bolt | 8x |
| 11. Pin | 5x |
| 12. M8 washer | 9x |
| 13. M16 washer | 5x |
| 14. M8 nut | 5x |
| 15. M8x58 bolt | 1x |
| 16. Plastic connector | 1x |