



Owner's Manual Cast Iron Lawn Sprinkler Pumps



TABLE OF CONTENTS

General Safety	2
Installation	3-4
Electrical	5
Operation	6
Troubleshooting	7
Repair Parts	8
Warranty	9



Before you start

Fill Pump with water to prime: Ensure pump body is filled with water to discharge.

Motor's Electrical Settings: Set motor to proper voltage,

Help Line: Call 1-877-326-3561 for assistance

GENERAL SAFETY

Important Safety Instructions Safety Labels
Carefully read and follow all safety instructions in this manual and on pump.

SAVE THESE INSTRUCTIONS – This manual contains important instructions that should be followed during installation, operation, and maintenance of the product. Save this manual for future reference.

! This is the safety alert symbol. When you see this symbol on your pump or in this manual, look for one of the following signal words and be alert to the potential for personal injury!

DANGER indicates a hazard which, if not avoided, will result in death or serious injury.

WARNING indicates a hazard which, if not avoided, could result in death or serious injury.

CAUTION indicates a hazard which, if not avoided, could result in minor or moderate injury.

NOTICE indicates practices not related to personal injury.

Keep safety labels in good condition. Replace missing or damaged safety labels.

GENERAL SAFETY

CAUTION Risk of burns. Do not touch an operating motor. Motors are designed to operate at high temperatures. To avoid burns when servicing pump, allow it to cool for 20 minutes after shut-down before handling.

Do not allow pump or any system component to freeze. To do so will void warranty.

Pump water only with this pump.

Periodically inspect pump and system components.

Wear safety glasses at all times when working on pumps.

WARNING Risk of explosion. Pump body may explode if used as a booster pump.

ELECTRICAL SAFETY

WARNING Risk of electrical shock. Safely discharge capacitor before handling or maintaining pump. Consult a qualified electrician.

NOTICE: Allowing any part of system to freeze voids warranty.

INSTALLATION

Before You Install Your Pump

NOTICE

1. The pump's water suction inlet must not be more than 20' above the water level.
2. Long runs and many fittings increase friction and reduce water flow to the pump. Locate pump as close to water source as possible; use as few elbows and fittings as possible. Be sure suction line is straight and angles up toward pump to avoid air lock.
3. Be sure well and pipe are clear of sand, dirt and scale. Foreign matter will plug pump and void warranty. Use new pipe for best results.
4. Protect pump and all piping from freezing. Freezing will split pipe, damage pump and void warranty. Check locally for frost protection requirements. Pipe cannot be installed above frost line and pump must be insulated.
5. Foot or check valves must be installed in suction pipe to optimize pump suction.
6. Be sure all pipes and valves are clean and in good shape.
7. No air pockets in suction pipe.
8. No leaks in suction pipe. Use Teflon tape or other approved sealants to seal pipe joints.
9. Unions installed near pump and well will aid in servicing. Leave room to use wrenches.

WARNING Risk of explosion. Do not ground to a gas supply line. Pump body may explode if used as a booster pump or other than a lawn sprinkling application.

CAUTION Risk of burns. Motor normally operates at high temperature and will be too hot to touch. It is protected from heat damage during operation by an automatic internal cutoff switch.

Before handling pump or motor, stop motor and allow it to cool for 20 minutes.

Well Pipe Installation

NOTICE

Use installation method below which matches your water source.

Cased Well/Dug Well Installation

1. Inspect foot or in line check valve to be sure it works freely. Inspect strainer to be sure it is clean and secure.
2. If using foot valve, connect foot valve and strainer to first length of suction pipe and lower pipe into well. Add sections of pipe as needed, using Teflon tape on male threads. Note: use 1-1/2" pipe for suction pipe. Be sure all suction pipe is leak proof or pump will lose prime and fail to pump. Install foot valve 10 to 20 ft. (3 to 6 m) below lowest level to which water will drop while pump is operating (pumping water level). Your well driller can furnish this information.
3. To prevent sand and sediment from entering pumping system, foot valve/strainer should be at least 5 ft. (1.5 m) above bottom of well.
4. When proper depth is reached, install sanitary well seal over pipe and in well casing. Tighten bolts to seal casing.
5. When using foot valve, a priming tee and plug are recommended. (Fig. 1).

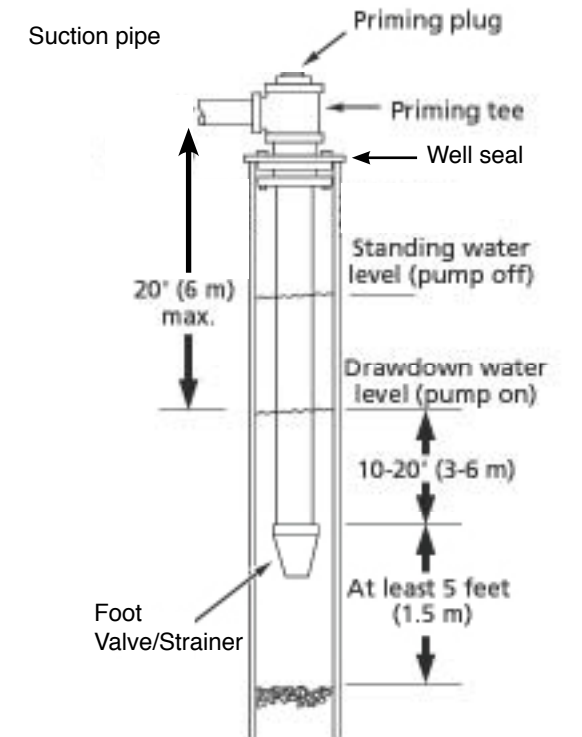


Figure 1 - Cased/Dug Well Installation

INSTALLATION

Driven Point Installation

1. Connect suction pipe to drive point (Fig. 2). Keep horizontal pipe run as short as possible. Use Teflon tape on male pipe threads. Multiple well points may be necessary to provide sufficient water to pump.
2. Install check valve in horizontal pipe. Flow arrow on check valve must point toward pump.

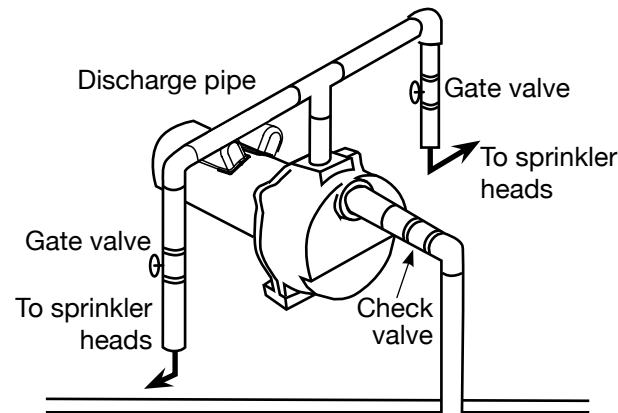


Figure 2
Driven point installation,
multiple well points

Pipe from Well to Pump

1. Pump performance will be decreased if the pipe diameter is less than the inlet size of the pump. In proper installation, the pipe size equals the inlet size.
2. To aid priming on well point installations, install line check valve. Be sure check valve flow arrow points toward pump.

Pipe from Pump to Sprinkler Heads

Discharge pipe size should be increased to reduce pressure losses caused by friction on long pipe runs.

- Up to 100' (30.5 m) run: Same size as pump discharge port.
- 100' – 300' (30.5 – 91.4 m) run: Increase one pipe size.
- 300' – 600' (91.4 – 182.9 m) run: Increase two pipe sizes.

Lawn Sprinkling Application

This pump is designed for lawn sprinkling. When properly installed it will deliver adequate water and pressure from any well source.

Pump/Piping Installation

If turning pump on and off by pressure, a pressure switch and tank are required. For proper follow tank and switch instructions or contact a qualified plumber/electrician.

Use rigid pipe. Do not use hose or plastic tubing. See "Well Pipe Installation" for more information.

NOTICE

Use only PTFE pipe thread sealant tape to joint compounds for making all threaded connections to the pump itself.

Do not use pipe joint compounds on plastic pumps: they can react with the plastic in pump components.

Make sure that all pipe joints in the suction pipe are air tight as well as water tight. If the suction pipe can suck air, the pump will not be able to pull water from the well.

1. Bolt pump to solid, level foundation.
2. Support all piping connected to pump.
3. Wrap 1-1/2 to 2 layers of Teflon tape clockwise (as you face end of pipe) on all male threads being attached to pump.
4. Tighten joints hand tight plus 1-1/2 turns. Do not overtighten.
5. Replace prime plug with pressure gauge. This will aid in sizing zones, troubleshooting, and following pump performance chart.

NOTICE

For long horizontal pipe runs, install a priming tee between check valve and well head (Fig. 1).

ELECTRICAL

⚠ Disconnect power before working on pump, motor, pressure switch or wiring

⚠ CAUTION Motor may be hot. Allow to cool 20 minutes.

⚠ CAUTION Water pressure may have built up in the pump, pipes and/or tank. Drain water to relieve pressure.

Motor Switch Settings

Motors are designed to run on either 115 volt or 230 volt current. Be sure the motor's current is set to match the current being supplied to your motor from the electrical source.

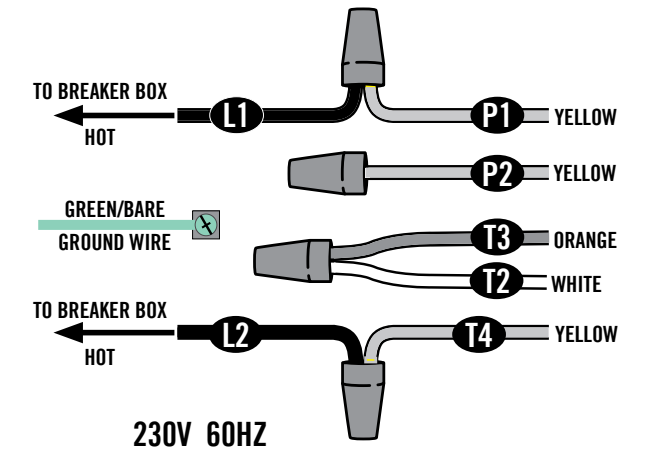
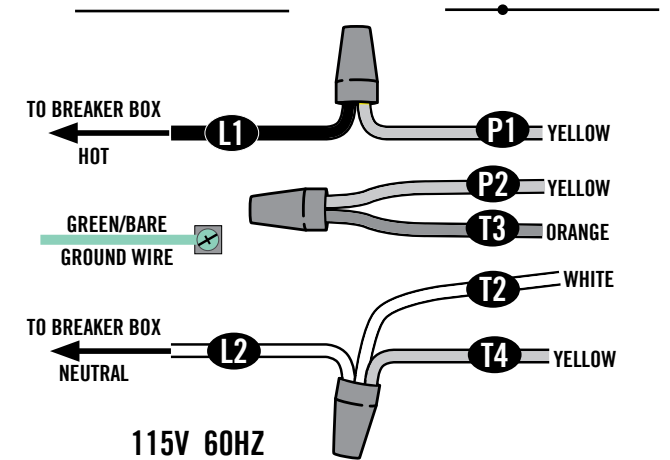
To ensure your motor is set at the correct current setting remove the rear cover from the motor. Inspect the wiring connections to ensure they are set correctly.

Wiring Connections

⚠ WARNING Risk of electric shock. Electricity can shock, burn or kill.

1. To avoid dangerous or fatal electrical shock, turn OFF power to motor before working on electrical connections.
2. Ground motor before connecting to electrical power supply. Failure to ground motor can cause severe or fatal electrical shock hazard.
3. Supply voltage must be within +/- 10% of nameplate voltage. Incorrect voltage can cause fire or damage motor and voids warranty. If in doubt consult a licensed electrician.
4. Use wire size specified in Wiring Chart (below). If possible, connect pump to a separate branch circuit with no other appliances on it.
5. Do not ground to a gas supply line.
6. Wire motor according to diagram on motor nameplate. If nameplate diagram differs from diagrams above, follow nameplate diagram.
7. If this procedure or the wiring diagrams are confusing, consult a licensed electrician.

Use for EFLS10, EFLS15 and EFLS20



Wiring Chart Recommended Wire and Fuse Sizes for 115 and 230 volts

MOTOR HP	VOLTS	MAX. LOAD AMP	BRANCH FUSE RATING AMP	AWG MIN. WIRE SIZE (mm ²)	DISTANCE IN FEET FROM MOTOR TO SUPPLY				
					0-100	101-200	201-300	301-400	401-500
					AWG WIRE SIZE (mm ²)				
1	115/230	18.5/9.25	30/15	12/14 (3/2)	12/14 (8.4/2)	8/14 (2/2)	6/14 (14/2)	6/12 (14/3)	4/10 (21/5.5)
1-1/2	115/230	22/11	30/15	10/14 (5.5/2)	12/14 (8.4/2)	8/14 (8.4/2)	6/12 (14/3)	4/10 (21/5.5)	4/10 (21/5.5)
2	115/230	27.0/13.5	30/20	10/14 (5.5/2)	6/14 (14/2)	8/14 (8.4/2)	6/12 (14/3)	4/10 (21/5.5)	4/10 (21/5.5)

For parts or assistance, call ECO-FLO Customer Service at 1-877 326-3561

For parts or assistance, call ECO-FLO Customer Service at 1-877 326-3561

OPERATION



⚠️ WARNING

Hazardous Pressure,
Install pressure relief valve in discharge pipe.
Release all pressure on system before working on any component.

Priming the Pump

NOTICE 'Priming' refers to pump expelling all air in the system and beginning to move water from its source out into system. It does not refer only to pouring water into pump (although pouring water in is usually the first step).

⚠️ CAUTION **Risk of burns.** NEVER run pump dry. Running pump without water may cause pump to over-heat, damaging seal and possibly causing burns to persons handling pump. Fill pump with water before starting.

- Step 1. Remove priming plug.
- Step 2. Make sure suction and discharge valves and any hoses on discharge side of pump are open.
- Step 3. Fill pump and suction pipe with water (Fig. 4).

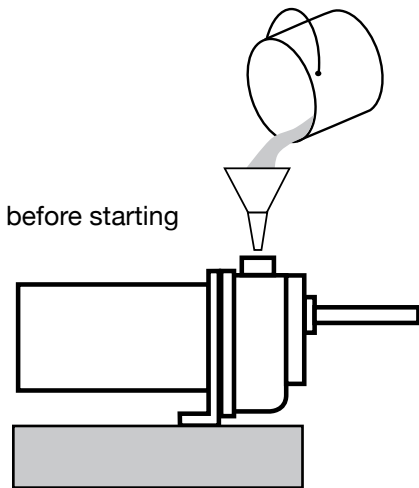


Figure 4
Fill pump before starting

⚠️ WARNING

Risk of explosion and scalding.
NEVER run pump against closed discharge. To do so can boil water inside pump, causing hazardous pressure in unit, risk of explosion and possibly scalding persons handling pump (Fig. 5). Replace priming plug with pressure gauge to monitor pressure so that it is not allowed to exceed maximum pumping pressures according to performance chart.

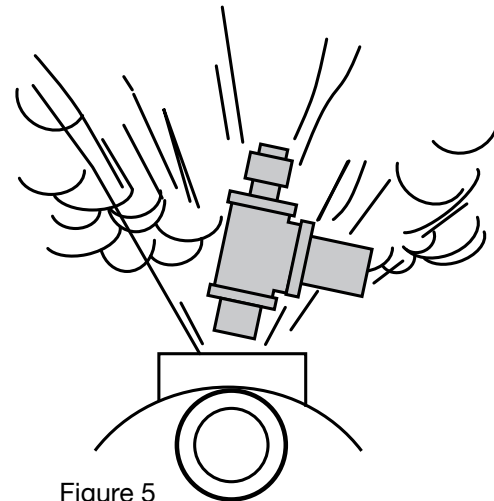


Figure 5
Do not run pump with outlet shut off

To prevent explosion be sure discharge (valve, pistol grip hose nozzle, etc.) is open whenever pump is running. Monitor pump body and piping temperature. Motor will warm up; this is normal. If pump body or piping begins to feel warm to touch, shut off pump and allow system to cool. Release all pressure in system and refill pump and piping with cold water.

- Step 4. Replace priming plug, using Teflon tape on thread; tighten plug.
NOTICE If priming tee and plug have been provided for long horizontal run, be sure to fill suction pipe through this tee and replace plug. (Use Teflon tape on plug.)
- Step 5. Start pump; water should be produced in 10 minutes or less, time depends on depth to water (not more than 20' (6 m)) and length of horizontal run (10' (3 m)) of horizontal suction pipe = 1' ((30.5 m) of vertical lift due to friction losses in pipe). If no water is produced within 10 minutes, stop pump, release all pressure, remove priming plug, refill and try again.

TROUBLE SHOOTING

⚠️ WARNING **Risk of electric shock.** Electricity can shock, burn or kill. To discharge capacitor, hold insulated handle screwdriver BY THE HANDLE and short capacitor terminals together. Do not touch metal screwdriver blade or capacitor terminals. If in doubt, consult a qualified electrician.

	POSSIBLE CAUSE(S)	CORRECTIVE ACTION
Motor will not run	Disconnect switch is off	Be sure switch is on.
	Fuse is blown or circuit breaker tripped	Replace fuse or reset circuit breaker.
	Starting switch is defective	DISCONNECT POWER; Replace starting switch
	Wires at motor are loose, disconnected, or wired incorrectly	Refer to instructions on wiring. DISCONNECT POWER; check and tighten all wiring.
Motor runs hot and overload kicks off or motor does not run and only hums.	Motor is wired incorrectly	Refer to instructions on wiring.
	Voltage is too low	Check with power company. Install heavier wiring if wire size is too small (See Electrical/Wiring Chart)
Motor runs but no water is delivered*	Pump in new installation did not pick up prime through:	In new installation:
	1. Improper priming	1. Re-prime according to instructions.
	2. Air leaks	2. Check all connections on suction line and AVC with shaving cream.
	3. Leaking foot valve or check valve	3. Replace foot valve or check valve.
	4. Pipe size too small	4. Re-pipe using size of suction and discharge ports on pump.
	Pump has lost prime through:	In installation already in use:
	1. Air leaks	1. Check all connections on suction line and shaft seal.
	2. Water level below suction pipe inlet	2. Lower suction line into water and re-prime. If receding water level in well exceeds 25' (7.6MO, a deep well pump is needed.
	Impeller is plugged	Clean impeller
	Check valve or foot valve is stuck shut	Replace check valve or foot valve.
	Pipes are frozen	Thaw pipes. Bury pipes below frost line. Heat pit or pump house.
	Foot valve and/or strainer are buried in sand or mud	Raise foot valve and/or strainer above bottom of water source.
Pump does not deliver water to full capacity.	Water level in well is lower than estimated.	A deep well jet will be needed if your well is more than 25' (7.6M) depth to water.
	Steel piping (if used) is corroded or limed, causing excess friction	Replace with plastic pipe where possible, otherwise with new steel pipe.
	Piping is too small in size	Use larger piping.
	Pump not being supplied with enough water	Add additional well points
Pump leaks around clamp	Clamp loose	STOP PUMP, tighten clamp nut 1-2 turns. Alternately tighten and tap on clamp with mallet to seat O-Ring. Do not overtighten.

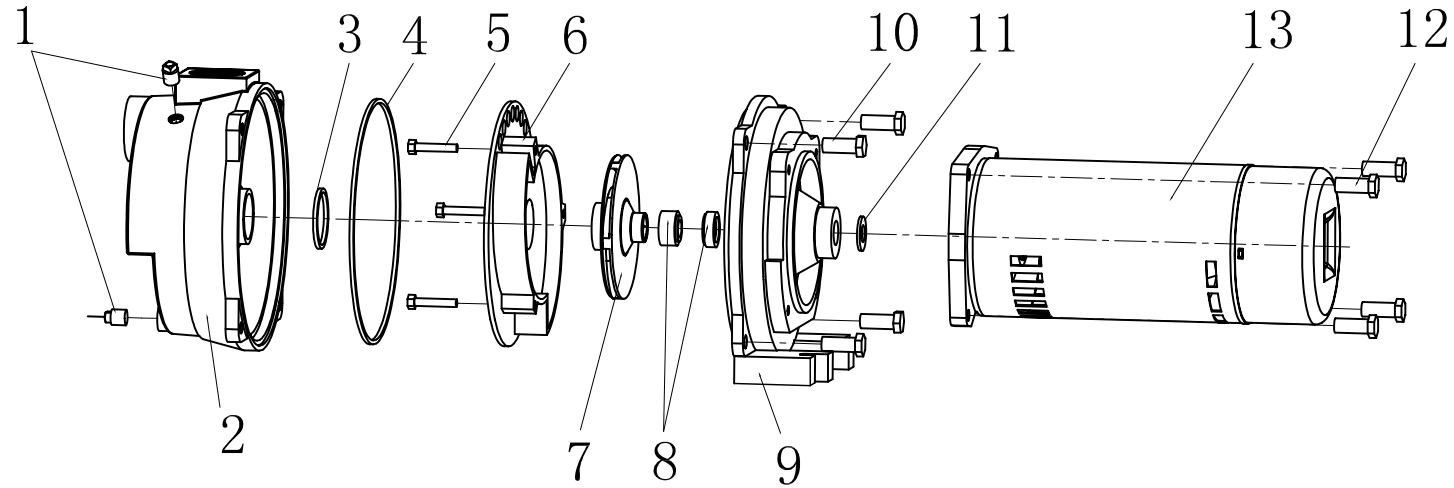
Performance Chart in GPM

MODEL	HP	DISTANCE OF PUMP ABOVE WATER	DEPTH GPM (gallons per minute) @ depths			
			10	20	30	40
EFLS10	1	5'	56	52	45	20
		10'	52	48	40	14
		15'	49	45	37	
		20'	45	40	30	
EFLS15	1-1/2	5'	63	58	53	32
		10'	59	55	50	29
		15'	55	51	45	13
		20'	50	46	40	
EFLS20	2	5'	70	66	61	36
		10'	65	61	55	27
		15'	60	57	51	23
		20'	53	50	45	13

For parts or assistance, call ECO-FLO Customer Service at 1-877 326-3561

For parts or assistance, call ECO-FLO Customer Service at 1-877 326-3561

REPAIR PARTS



NO.	QUANTITY	PART NUMBER	DESCRIPTION
1	2	EFLS15014	Plug (304)
2	1	EFLS15006	Volute (HT200)
3	1	EFLS15007	O-Ring (NBR)
4	1	EFLS15008	O-Ring (NBR)
5	3	EFLS15009	Screw (304)
6	1	EFLS15005	Diffuser (PPO+20%GF)
7	1	EFLS10004	Impeller (1 HP)
	1	EFLS15004	Impeller (1-1/2 HP)
	1	EFLS20004	Impeller (2 HP)
8	1	EFLS15003	Seal
9	1	EFLS15002	Seal Plate (HT200)
10	4	EFLS15010	Screw (304)
11	1	EFLS15012	V-Ring (NBR)
12	4	EFLS15011	Bolt (304)
13	1	EFLS10001	Motor (1 HP)
	1	EFLS15001	Motor (1-1/2 HP)
	1	EFLS20001	Motor (2 HP)

WARRANTY

Retain Original Purchase Receipt for Warranty Eligibility

Limited Warranty

Manufacturer warrants to the original consumer purchaser ("Purchaser" or "You") that its products are free from defects in material and workmanship for a period of twelve (12) months from the date of the original consumer purchase. If, within twelve (12) months from the original consumer purchase, any such product shall prove to be defective, it shall be repaired or replaced at manufacturer's option, subject to the terms and conditions set forth herein. Note that this limited warranty applies to manufacturing defects only and not to ordinary wear and tear. All mechanical devices need periodic parts and service to perform well. This limited warranty does not cover repair when normal use has exhausted the life of a part or the equipment.

The original purchase receipt and product warranty information label are required to determine warranty eligibility. Eligibility is based on purchase date or original product – not the date of replacement under warranty. The warranty is limited to repair or replacement of original purchased product only, not replacement product (i.e. one warranty replacement allowed per purchase).

Purchaser pays all removal, installation, labor, shipping, and incidental charges.

Claims made under this warranty shall be made by contacting and returning the product to the factory immediately after the discovery or any alleged defect. Manufacturer will subsequently take corrective action as promptly as reasonably possible. No requests for service will be accepted if received more than 30 days after the warranty expires. Warranty is not transferable and does not apply to products used in commercial/rental applications.

General Terms and Conditions; Limitations of Remedies

You must pay all labor and shipping charges necessary to replace product covered by this warranty. This warranty does not apply to the following: (1) acts of God; (2) products which, in manufacturer's sole judgment, have been subject to negligence, abuse, accident, misapplication, tampering, or alteration; (3) failures due to improper installation, operation, maintenance or storage; (4) atypical or unapproved application, use or service; (5) failures caused by corrosion, rust or other foreign materials in the system, or operation at pressures in excess of recommended maximums.

This warranty sets forth manufacturer's sole obligation and purchaser's exclusive remedy for defective products.

MANUFACTURER SHALL NOT BE LIABLE FOR ANY CONSEQUENTIAL, INCIDENTAL, OR CONTINGENT DAMAGES WHATSOEVER. THE FOREGOING LIMITED WARRANTIES ARE EXCLUSIVE AND IN LIEU OF ALL OTHER EXPRESS AND IMPLIED WARRANTIES, INCLUDING BUT NOT LIMITED TO IMPLIED WARRANTIES OF MERCHANTABILITY AND FITNESS FOR A PARTICULAR PURPOSE. THE FOREGOING LIMITED WARRANTIES SHALL NOT EXTEND BEYOND THE DURATION PROVIDED HEREIN.

Some states do not allow the exclusion or limitation of incidental or consequential damages or limitations on how long an implied warranty lasts, so the above limitations or exclusions may not apply to You. This warranty gives You specific legal rights and You may also have other rights which vary from state to state.



1899 Cottage Street, Ashland, Ohio 44805
 Telephone: 1-877-326-3561
 Fax: 1-877-326-1994
www.ecofloproducts.com

For parts or assistance, call ECO-FLO Customer Service at 1-877 326-3561



Manuel des propriétaires Les pompes d' Arrosage de Pelouse



TABLE DES MATIÈRES

Sécurité générale 11

Installation12-13

Electrique14

Opération 15

dépannage 16

Parts de réparation 17

Garantie18



Avant que vous commencez

Sécurité: besoin des linformations de sécurité

1. Evite les brûlures de pression/l'explosion
2. Évite un choc électrique

Remplissez la pompe d'eau: Assurez-vous que le corps de pompe est rempli d'eau pour décharger.

Les installations électriques de moteur: installez la moteur au bon volt-
age, c'est à dire le voltage fournie à la pompe - Voir la section électrique
Besoin de l'aide : téléphonez 1-877-326-3561 à l'aide.

SECURITE GENERAL E

Les étiquettes de sécurité des instructions de sécurité importante Lisez et suivez attentivement les instructions de sécurité dans ce manuel et sur la pompe.

Conservez les Instructions – Ce manuel contient les instructions importantes qui devraient être suivies pendant l'installation, l'opération, et l'entretien du produit. Conservez ce manuel pour la référence future.

! C'est le symbole d'alerte de sécurité. Lorsque vous voyez ce symbole sur votre pompe ou dans ce manuel, cherchez un des mots-clés suivants et être attentif à la possibilité de blessures corporelles !

! DANGER Indicates a hazard which, if not avoided, will result in death or serious injury.

! AVERTISSEMENT Indique un danger qui, si elle n'est pas évitée, entraînera la mort ou des blessures graves.

! ATTENTION Indique un danger qui, si elle n'est pas évitée, peut entraîner la mort ou des blessures graves.

NOTICE NOTICE indique que les pratiques ne sont pas liées à des blessures corporelles. Gardez les étiquettes de sécurité dans la bonne condition. Remplacez les étiquettes de sécurité manquantes ou endommagées.

Sécurité générale

! ATTENTION Risque des brûlures
Ne touchez pas un moteur d'opération. Les moteurs sont conçus pour fonctionner à hautes températures. Pour éviter les brûlures lors d'entretenir la pompe, laissez refroidir pendant 20 minutes après l'arrêt avant de le manipuler.

Ne laissez pas la pompe ou aucun composant du système geler. Faire comme cela va annuler la garantie.

Pompez l'eau seulement avec cette pompe.

Périodiquement, inspectez la pompe et les composants du système.

Portez des lunettes de sécurité en tout temps lorsque vous êtes en train de travailler sur les pompes.

! AVERTISSEMENT Risque de l'explosion.
Le corps de la pompe peut exploser si elle est utilisée comme une pompe de booster.

Pour les parts ou l'aid, téléphonez au Service de clientele de ECO-FLO 1-877 326-3561

INSTALLATION

Before You Install Your Pump

NOTICE

1. L'entrée de succion d'eau de la pompe ne doit pas se déplacer de 20' au-dessus du niveau de l'eau.
2. De longs et nombreux raccords augmentent le frottement et réduisent l'écoulement de l'eau à la pompe. Placez la pompe tout près de la source d'eau le plus possible; utilisez les coudes et les raccords le moins possible. Assurez-vous que la ligne de succion est droite et angle vers la pompe.
3. Assurez-vous que le puits et le tuyau sont claires de sable, de la saleté et de l'échelle. Un corps étranger se branchera la pompe et annulera la garantie. Utilisez le nouveau tuyau pour de meilleurs résultats.
4. Protégez la pompe et toute la tuyauterie du gel. La congélation divisera le tuyau, la pompe de dommages et annulera la garantie. Vérifiez sur la place pour les besoins de protection contre le gel. La Pompe ne peut pas être installée sous la ligne de gel et la pompe doit être isolée.
5. Les clapets de pied ou de contrôle doivent être installés dans le tuyau de succion pour optimiser la succion de la pompe.
6. Assurez-vous que tous les tuyaux et les robinets sont propres et en bon état.
7. Pas de poches d'air dans le tuyau de succion.
8. Pas de fuites dans la tuyauterie de succion. Utilisez le ruban de téflon ou d'autres produits d'étanchéité approuvés pour sceller les joints de tuyauterie.
9. Les syndicats installés près de la pompe et du puits aideront en service. Laissez de la place pour l'utilisation des clés.

ADVERTISSEMENT Risque des explosion.

Ne reliez pas à la ligne d'alimentation en gaz. Le corps de la pompe peut exploser si elle est utilisée comme une pompe de surpression ou une application autre que la pelouse d'arrosage.

ATTENTION Risque des brûlures

Le moteur fonctionne normalement à une température élevée et sera trop chaude à toucher. Il est protégé contre les dommages de la chaleur pendant le fonctionnement par un interrupteur de coupure automatique interne. Avant de la manipulation de la pompe ou du moteur, arrêtez le moteur et le laissez refroidir pour 20 minutes.

Installation du tuyau de puits

NOTICE

Utilisez la méthode d'installation ci-dessous qui correspond à votre source d'eau.

Installation du puits tubé/ du puits creusé

1. Inspectez la vanne de pied ou la vanne de contrôle en ligne pour être sûr qu'il fonctionne librement. Inspectez la passoire pour s'assurer qu'il est propre et sécurisé.
2. Si vous utilisez le clapet de pied, connectez le clapet de pied et la passoire de la première longueur de tuyau de succion et le tube inférieur dans le puits. Ajoutez des sections de tuyau au besoin, en utilisant le ruban de téflon sur les filetages mâles. Note: utilisez 1-1/2" tuyau pour le tuyau de succion. Assurez-vous que tous les tuyaux de succion sont la preuve de fuite ou que la pompe perdra le premier et ne parviendra pas à pomper. Installez le clapet de pied 10 à 20 ft. (3 à 6 m) ci-dessous le niveau plus bas auquel l'eau va baisser pendant que la pompe fonctionne (le niveau de l'eau de pomper). Votre foreur de puits peut fournir cette information.
3. Pour éviter que le sable et les sédiments de pénétrer dans le système de pompage, le clapet de pied / la passoire devrait être au moins 5 ft. (1.5 m) sur le fond du puits.
4. Lorsque la profondeur désirée est atteinte, installez le puits d'étanchéité sur le tuyau et dans un boîtier de puits. Serrez les boulons à sceller le boîtier.
5. Lors de l'utilisation clapet de pied, un tee et un bouchon d'amorçage sont recommandés. (Fig. 1).

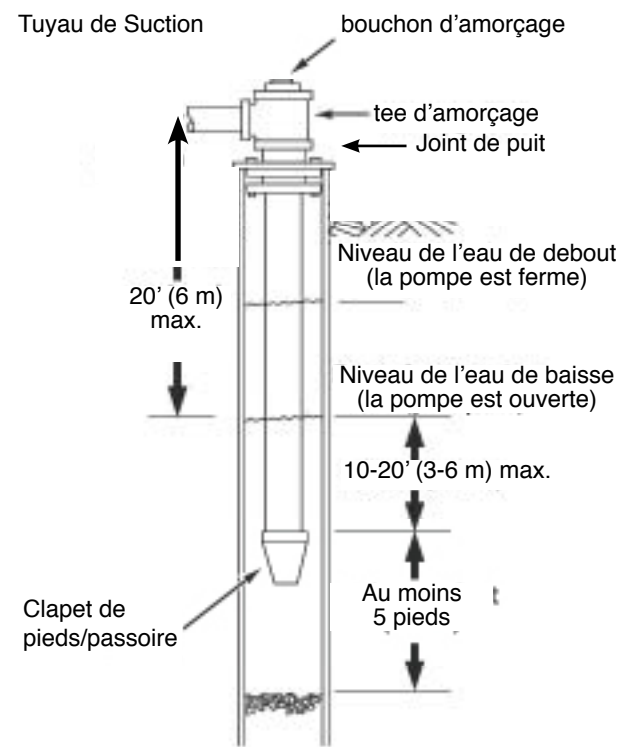


Figure1 installation du puits tubé / creusé

INSTALLATION

Installation du point de conduite

1. Reliez le tuyau de succion à conduire le point (Fig. 2). Gardez la section horizontale du tuyau la plus courte possible. Utilisez le ruban de téflon sur les filetages mâles. Des points de puits multiples peuvent être nécessaires pour fournir suffisamment d'eau à la pompe.
2. Installez le clapet anti-retour dans le tuyau horizontal. La flèche de flux sur le clapet anti-retour doit pointer vers la pompe.

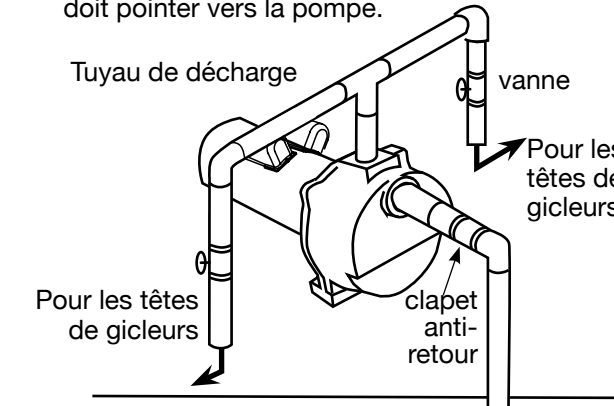


Figure 2
L'installation de point piloté,
Têtes de puits multiples

Le tuyau du puits à la pompe

1. Le rendement de la pompe est diminué si le diamètre du tuyau est inférieure à la taille de l'entrée de la pompe. Dans une installation correcte, la taille du tuyau est égale à la taille de l'entrée.
2. Pour faciliter l'amorçage sur les installations de point ainsi, installez le clapet de contrôle en ligne. Assurez-vous que les points de la flèche de flux du clapet anti-retour sont vers la pompe..

Tuyau de la pompe aux Têtes de diffuseurs

La taille du tuyau de décharge doit être augmentée pour réduire les pertes de pression causées par le frottement sur de longs tuyaux.

- Jusqu'à 100' (30.5 m) fonctionnement: la même taille comme l'orifice de décharge de la pompe.
- 100' - 300' (30.5 - 91.4 m) fonctionnement: augmentez une taille du tuyau
- 300' - 600' (91.4 - 182.9 m) fonctionnement: augmentez deux tailles du tuyau

Application d' Arrosage de Pelouse

Cette pompe est conçue pour l'arrosage des pelouses. Lorsqu'il est correctement installé, il fournira de l'eau et une pression suffisante d'aucune source de puits.

Installation de la Pompe / du Tuyau

Si vous allumez ou fermez la pompe par la pression, un interrupteur de pression et le réservoir sont nécessaires. Pour l'installation proper et les instructions d'opération, téléphonez le Service de clientèle. Utilisez un tuyau rigide. N'utilisez pas de tuyau ni de tube en plastique. Voyez « Installation du tuyau de puits » pour plus d'informations.

NOTICE

Utilisez seulement le ruban d'étanchéité de tuyau de PTFE à joindre les composés pour faire toutes les connexions filetées à la pompe elle-même.

N'utilisez pas les composés de joint de tuyau sur les pompes en plastique: Ils peuvent réagir avec le plastique dans les composés de la pompe.

ELECTRIQUE

⚠ Coupez l'alimentation avant de travailler sur la pompe, le moteur, l'interrupteur de pression ou de câblage

⚠ ATTENTION Le moteur peut être très chaud. Laisser refroidir 20 minutes

⚠ ATTENTION La pression d'eau peut-être accumulée dans les pompes, les tuyaux et / ou le réservoir. Videz l'eau pour soulager la pression.

Installations de l'interrupteur du moteur

Les moteurs sont conçus pour fonctionner soit 115 volts ou 230 volts en courant. Assurez-vous que le courant du moteur est réglé en fonction du courant étant fourni dans votre moteur de la source électrique.

Le câblage

⚠ ADVERTISSEMENT Risque choc électrique Peut choquer, brûler ou tuer,

1. Pour éviter les chocs électriques dangereuses, voire mortelles, éteignez le courant alimentant au moteur avant de travailler sur les connexions électriques.
2. Le moteur à la terre avant de brancher l'alimentation électrique. Défaut de moteur à la terre peut causer le risque de choc électrique grave ou mortelle.
3. Le voltage d'alimentation doit être dans +/- 10% du voltage nominale. Un voltage incorrect peut provoquer le moteur de feu ou des dommages et annuler la garantie. En cas de doute, consultez un électricien agréé.
4. Utilisez la taille du fil indiqué dans le Tableau de câblage (ci-dessous). Si c'est possible, branchez la pompe sur un circuit de dérivation séparé avec aucun autre appareil sur elle.
5. Ne tirez pas la ligne d'alimentation en gaz.
6. Câblez le moteur conformément au diagramme sur la plaque signalétique du moteur. Si le diagramme de plaque est différent des diagrammes ci-dessus, suivez les diagramme de la plaque signalétique.
7. Si cette procédure ou les diagrammes de câblage sont confus, consultez un électricien agréé.

Utiliser pour EFLS10, EFLS15 et EFLS20

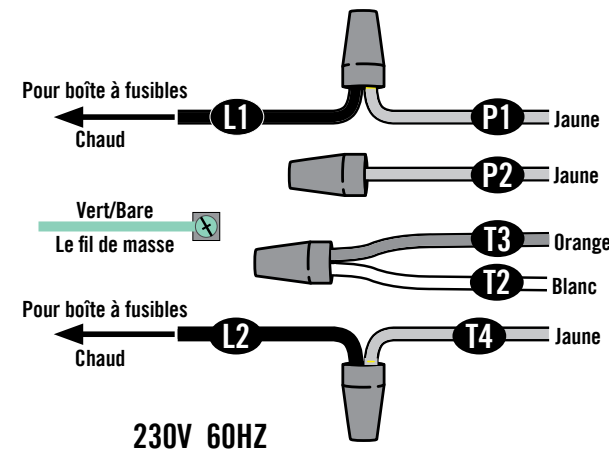
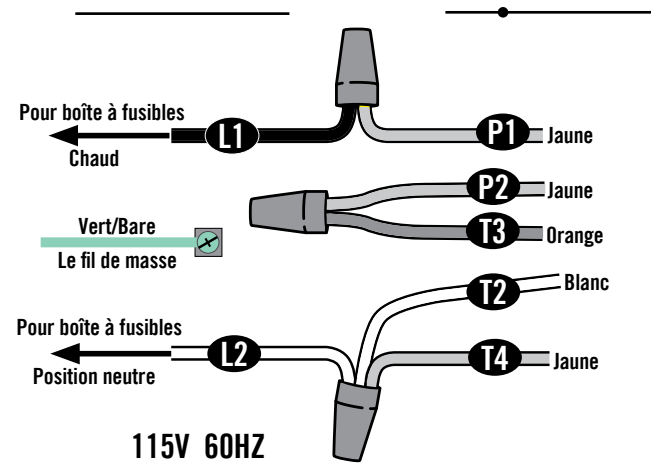


Tableau de câblage de fils et fusibles Tailles Recommandé pour 115 et 230 volts

MOTEUR HP	VOLTS	CHARGE MAXIMALE AMP	DIRECTION FUSE COTE AMP	AWGTAILLE DE FIL MINIMIN (mm²)	DISTANCE EN PIEDS DE MOTEUR DE FOURNIR				
					0-100	101-200	201-300	301-400	401-500
					TAILLE DE FIL AWG (mm²)				
1	115/230	18.5/9.25	30/15	12/14 (3/2)	12/14 (8.4/2)	8/14 (2/2)	6/14 (14/2)	6/12 (14/3)	4/10 (21/5.5)
1-1/2	115/230	22/11	30/15	10/14 (5.5/2)	12/14 (8.4/2)	8/14 (8.4/2)	6/12 (14/3)	4/10 (21/5.5)	4/10 (21/5.5)
2	115/230	27.0/13.5	30/20	10/14 (5.5/2)	6/14 (14/2)	8/14 (8.4/2)	6/12 (14/3)	4/10 (21/5.5)	4/10 (21/5.5)

Pour les parts ou l'aide, téléphonez au Service de clientèle de ECO-FLO 1-877 326-3561

OPERATION



⚠ ATTENTION

La Pression dangereuse, Installez la soupape de décharge de pression dans le tuyau d'évacuation. Libérez toute la pression sur le système avant de travailler sur aucun composé

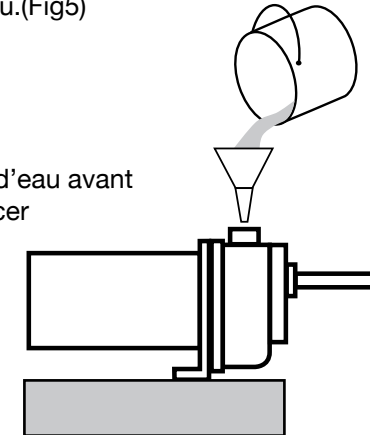
la Pompe d'Amorçage

NOTICE L' amorçage se réfère à la pompe en expulsant tout l'air dans le système et en commençant à déplacer l'eau de sa source dans le système. Il ne s'agit pas seulement de verser de l'eau dans la pompe (bien que verser de l'eau soit généralement la première étape).

⚠ ATTENTION Risque des brûlures. NE faites JAMAIS fonctionner la pompe à sec. Faire fonctionner la pompe sans eau peut provoquer la pompe à chaleur excessive, d'endommager les joints et peut causer des brûlures à qui manipuleront la pompe. Remplissez la pompe d'eau avant de commencer.

- Étape 1 Retirez le bouchon d'amorçage.
- Étape 2. Assurez-vous que les clapets de succion et de refoulement et tous les tuyaux sur le côté de refoulement de la pompe sont ouverts.
- Étape 3. remplissez la pompe et le tuyau de succion d'eau.(Fig5)

Figure 5 Remplissez d'eau avant de commencer

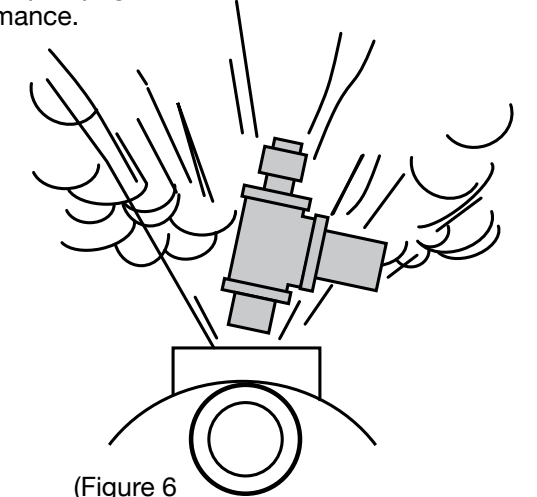


- Étape 4 Remettez le bouchon d'amorçage, en utilisant du ruban de téflon sur le filetage; serrez le bouchon. NOTICE si le tee d'amorçage et le bouchon ont été fournis pour une longue terme horizontale, assurez de remplir le tuyau de succion par le tee et de remplacer le bouchon. (Utilisez le ruban de téflon sur le bouchon).

- Étape 5 commencez la pompe, l'eau doit être produite en 10 minutes ou moins, le temps dépend la profondeur à l'eau (pas plus de 20' (6 m)) et longueur de course horizontale (10' (3 m)) du tuyau de succion horizontal = 1' ((30,5 m) de levage vertical en raison de pertes de charge dans la conduite). S'il y a pas d'eau produite en 10 minutes, stoppez la pompe, libérez toute la pression, retirez la fiche d'amorçage, remplissez et essayez à nouveau.

⚠ ADVERTISSEMENT

Risque de l'explosion et des brûlures. Ne marchez jamais la pompe contre un refoulement fermé. Faire comme cela, il peut faire bouillir l'eau à l'intérieur de la pompe, entraînant une pression dangereuse dans l'unité, la risque d'explosion et d'éventuelles personnes échaudage qui manipuleront la pompe (Fig. 6). Remplacez le bouchon d'amorçage avec le jaugeur de pression à la pression de pompage maximale selon le schéma de la performance.



(Figure 6) Ne fonctionnez pas la pompe avec l'interrupteur externe

Pour éviter une explosion, il faut assurer que le décharge (le clapet, buse poignée du flexible de pistolet etc.) est ouvert à n'importe quand la pompe marche. Surveillez le corps de la pompe et la température de tuyauterie. Le moteur se réchauffera; ce qui est normal. Si le corps de la pompe ou de la tuyauterie commence à être chaud au toucher, arrêtez la pompe et laissez le système refroidir. Dissipez toute la pression dans le système et de la pompe de remplissage et de la tuyauterie avec de l'eau froide.

Pour les parts ou l'aide, téléphonez au Service de clientèle de ECO-FLO 1-877 326-3561

TROUBLE SHOOTING

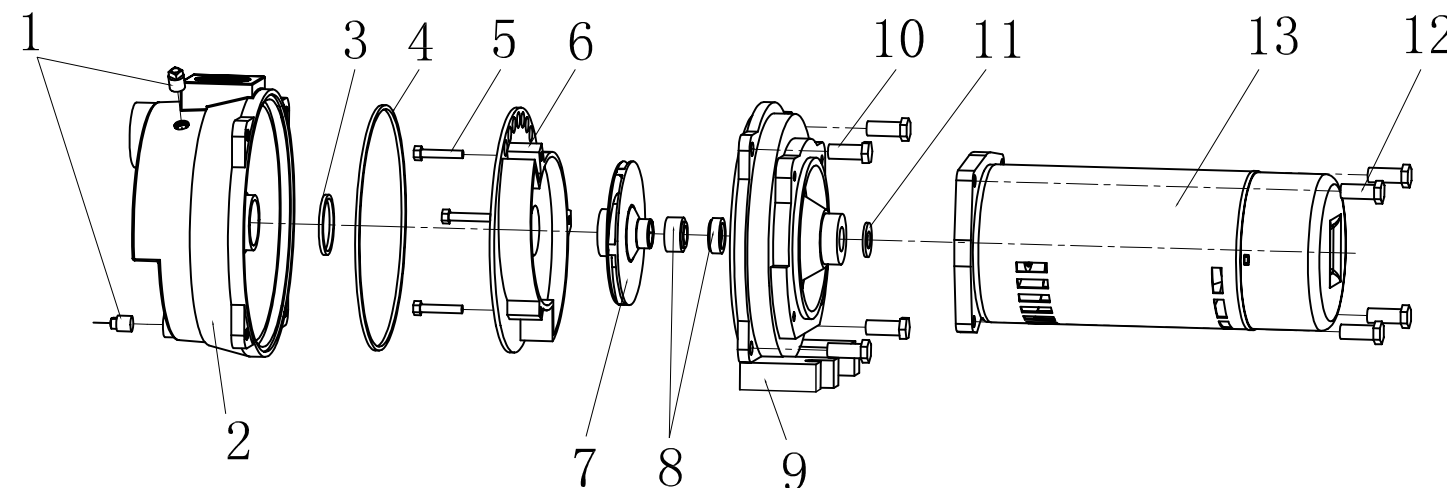
ATTENTION Risque du choc électrique. Peut choquer, brûler ou tuer. Pour décharger le condensateur, tenez le tournevis de poignée isolée par la MANCHE et les bornes du condensateur courtes ensemble. Ne touchez pas lame de tournevis en métal ou les bornes du condensateur. En cas de doute, consultez un électricien qualifié.

	CAUSE(S) POSSIBLE(S)	ACTION CORRECTE	
Le moteur ne marchera pas	le commutateur de débranche est éteint	Amurez -vouz l'interrupteur est allumé	
	Le fusible est grillé ou disjoncteur déclenche	Remplacez le fusible ou réenclenchez le disjoncteur.	
	L'interrupteur de démarrage est défectueux	COUPER L'ALIMENTATION; Remplacez interrupteur de démarrage	
	Fils à moteur sont desserrés, débranchés ou mal câblés	Référez les instructions sur le câblage. Coupez l'alimentation; vérifiez et serrez tous les fils.	
Le moteur chauffe et le surchauffage commence ou le moteur ne fonctionne pas et seulement	Le moteur est mal câblé	Référez les instructions sur le câblage	
	le voltage est très faible	Vérifiez auprès de votre compagnie d'électricité. Installez le câblage plus lourd si la taille du fil est trop petit (Voir le tableau électrique / de câblage)	
Le moteur fonctionne mais l'eau n'est pas livrée*	La pompe dans la nouvelle installation n'a pas choisi l'amorçage par	Dans une nouvelle installation:	
	1. amorçage incorrecte	1. Re-prétez selon les instructions.	
	2. les fuites d'air	2. Vérifiez toutes les connexions sur la ligne de succion et CVA avec la crème à raser.	
	3. Fuite de clapet de pied ou de clapet anti-retour	3. Remplacez le clapet de pied ou le clapet anti-retour.	
	4. la taille du tuyau est trop petit	Re-pipe en utilisant la taille d'orifices de succion et de refoulement de la pompe.	
	La pompe a perdu l'origine par	Dans l'installation déjà en service:	
	1. les fuites d'air	1. Vérifiez toutes les connexions sur la ligne de succion et le joint d'arbre.	
	2. Le niveau d'eau ci-dessous l'entrée du tuyau de succion	2. La ligne de succion inférieure dans l'eau et la re-prime. Si le recul du niveau d'eau dans le puits dépasse 25' (7.6M), une pompe de puits profond est nécessaire.)	
	l'impulseur est branché	Nettoyez l'impulseur	
	Clapet anti-retour ou clapet de pied est coincé	Remplacer le clapet de verification ou le clapet de pied.	
*Arrêtez la pompe; puis vérifiez l'origine avant de rechercher d'autres causes. Dévissez le bouchon d'origine et voyez si l'eau est dans le trou d'origine	Les tubes sont congelés	tuyaux de dégel. Enterrer les tuyaux en dessous du seuil de gel Fosse de chaleur ou maison de pompe	
	Vanne de pied et/ou le passoire sont t enterrés dans le sable ou la boue	Soulever la vanne et / ou la passoire sur le fond de la source d'eau.	
	La pompe de délivre pas d'eau à pleine capacité	Le niveau d'eau dans le puits est inférieur aux estimations.	Un jet de puits profond sera nécessaire si votre puits est plus de 25' (7.6M profondeur à l'eau.
		Tuyauterie en acier (le cas échéant) est corrodé ou chaulées, provoquant une friction excessive	Remplacez avec le tuyau en plastique où est possible, sinon avec le nouveau tube d'acier.
La tuyauterie est trop petite dans la taille		Utilisez une plus grande tuyauterie	
Pompe n'est pas fourni assez d'eau		Ajouter des points de puits supplémentaires	
Pla pompe fuit autour de serrage	Le serrage lâche	ARRÊTER LA POMPE, serrez l'écrou de serrage 1-2 tours. Serrez alternativement et tapez sur pince avec un maillet pour accueillir l'anneau d'O. Ne serrez pas trop.	

Tableau des performances dans GPM (LPM)

MODELE	HP	DISTANCE DE EAU SUR LA POMPE	profondeur GPM (gallons par minute) @ profondeurs			
			10	20	30	40
EFLS10	1	5'	58	52	45	20
		10'	52	48	40	14
		15'	49	45	37	
		20'	45	40	30	
EFLS15	1-1/2	5'	63	58	53	32
		10'	59	55	50	29
		15'	55	51	45	13
		20'	50	46	40	
EFLS20	2	5'	70	66	61	38
		10'	65	61	55	27
		15'	60	57	51	23
		20'	53	50	45	13

PARTS DE REPARATION



NUMERO	QUANTITE	NUMBER DES PARTS	DESCRIPTION
1	2	EFLS15014	Bouchon (304)
2	1	EFLS15006	Volute (HT200)
3	1	EFLS15007	Volute de l'anneau d'O (NBR)
4	1	EFLS15008	Volute de l'anneau d'O (NBR)
5	3	EFLS15009	vis (304)
6	1	EFLS15005	Diffuseur (PPO+20%GF)
7	1	EFLS10004	Impulseur (1 HP)
	1	EFLS15004	Impulseur (1-1/2 HP)
	1	EFLS20004	Impulseur (2 HP)
8	1	EFLS15003	étanchéité
9	1	EFLS15002	Plaque d'étanchéité(HT200)
10	4	EFLS15010	vis (304)
11	1	EFLS15012	l'anneau de V(NBR)
12	4	EFLS15011	boulon (304)
13	1	EFLS10001	Moteur (1 HP)
	1	EFLS15001	Moteur (1-1/2 HP)
	1	EFLS20001	Moteur (2 HP)

Pour les parts ou l'aid, téléphonez au Service de clientele de ECO-FLO 1-877 326-3561

Pour les parts ou l'aid, téléphonez au Service de clientele de ECO-FLO 1-877 326-3561

GARANTIE

Conservez la facture d'achat d'origine pour la garantie d'admissibilité

La Garantie Limitée

Le fabricant garantit à l'acheteur original («Acheteur» ou «Vous») que ses produits sont exempts de défauts de matériaux et de fabrication pour une période de douze (12) mois à compter de la date de l'achat par le consommateur. Si, dans les douze (12) mois à compter de l'achat au détail original, tout produit s'avère défectueux, il doit être réparé ou remplacé, au choix du fabricant, dépend des modalités et conditions énoncées dans les présentes. Notez que cette garantie limitée s'applique aux défauts de fabrication seulement et non à l'usure normale. Tous les appareils mécaniques ont besoin de pièces et de service périodiques pour marcher le puit. Cette garantie limitée ne couvre pas les réparations quand l'usure normale a épuisé la durée d'une partie ou de l'équipement.

L'étiquette facture d'achat et la garantie du produit d'origine des informations sont nécessaires pour déterminer l'admissibilité garantie. L'admissibilité est basée sur la date d'achat ou d'un produit d'origine - pas la date de remplacement sous la garantie. La garantie est limitée à la réparation ou le remplacement du produit acheté d'origine seulement, pas le produit de remplacement (c'est à dire le remplacement d'une garantie autorisé par achat).

L'acheteur paie tout retrait, l'installation, la main-d'œuvre, le transport et les frais accessoires.

Les réclamations faites en vertu de cette garantie doit être faite en contactant et retourner le produit à l'usine immédiatement après la découverte ou toute irrégularité alléguée. Aucune demande de service ne sera acceptée si elle est reçue plus de 30 jours après l'expiration de la garantie. La garantie n'est pas transférable et ne s'applique pas aux produits utilisés dans des applications commerciales / de location.

Les termes et les conditions généraux; Les limitations de recours

Vous devez payer tous les travaux et les charges nécessaires au remplacement du produit couvert par cette garantie. Cette garantie ne s'applique pas à ce qui suit: (1) les actes de Dieu; (2) les produits qui, dans le seul jugement de fabricant, ont fait l'objet de négligence, d'abus, d'un accident, une mauvaise utilisation, l'altération ou la modification; (3) les défaillances dues à une mauvaise installation, l'exploitation, l'entretien ou le stockage; (4) l'application, l'utilisation, ou le service atypique ou non approuvé; (5) les défaillances causées par la corrosion, la rouille ou d'autres matières étrangères dans le système, ou le fonctionnement à des pressions supérieures à la limite maximale recommandée.

Cette garantie définit la seule obligation du fabricant et le recours exclusif de l'acheteur des produits défectueux.

Le fabricant ne peut être tenu responsable des dommages indirects, accessoires, ou continent que ce soit. Les précédentes garanties limitée sont exclusives et au lieu de toutes les autres garanties expresses et implicites, y compris mais non limité aux garanties implicites de qualité marchande et d'adéquation à un usage particulier. Les précédentes garanties limitée ne doivent pas s'étendre au-delà de la durée prévue aux présentes.

Certains états ne permettent pas l'exclusion ou la limitation des dommages accessoires ou consécutifs ou les limitations limitations sur la durée d'une garantie implicite, de sorte que les limitations ou les exclusions ci-dessus peuvent ne pas vous concerner. Cette garantie vous donne des droits légaux spécifiques et vous pouvez également avoir d'autres droits qui varient d'un État à l'autre.



1899 Cottage Street, Ashland, Ohio 44805
Téléphonez: 1-877-326-3561
Fax: 1-877-326-1994
www.ecofloproducts.com



Manual del Usuario Bombas de la regadera del césped



Tabla del Contenido

Seguridad general.	20
Instalación	21-22
Eléctrico	23
Operación	24
Solución de problemas	25
Piezas de reparación	26
Garantía.	27



Antes de empezar

Seguridad: Necesita info de seguridad

1. Evite Quemaduras / Explosión de Presión
2. Evite la descarga eléctrica

Llenar la bomba con agua: Asegúrese de que el cuerpo de la bomba se llena con agua de la descarga.

Ajustes eléctricos del motor: Ajuste del motor para el voltaje adecuado, es decir, el voltaje suministrado a la bomba - Vea la sección eléctrica

Necesitas Ayuda: Llame a 1-877-326-3561 para asistencia.

SEGURIDAD GEN-

Las etiquetas de seguridad importantes
Instrucciones de seguridad Lea y siga cuidadosamente todas las instrucciones de seguridad en este manual y en la bomba.

GUARDE ESTAS INSTRUCCIONES - Este manual contiene instrucciones importantes que deben seguirse durante la instalación, operación y mantenimiento del producto. Guarde este manual para referencia en el futuro.

! Este es el símbolo de alerta de seguridad. Cuando vea este símbolo en su bomba o en este manual, busque una de las siguientes palabras de señal y esté alerta a la posibilidad de lesiones personales!

! PELIGRO indica un peligro que, si no se evita, provocará la muerte o lesiones graves.

! ADVERTENCIA indica un peligro que, si no se evita, podría causar la muerte o lesiones graves.

! PRECAUCION indica un riesgo que, si no puede evitarse, puede provocar lesiones leves o moderadas.

AVISO indica prácticas no relacionadas con lesiones personales. Mantenga las etiquetas de seguridad en buenas condiciones. Reemplazar las etiquetas de seguridad faltantes o dañados

Seguridad General

! PRECAUCION Riesgo de quemaduras. Notoque un motor en funcionamiento. Los motores son defirmado para funcionar a altas temperaturas. Para evitar quemaduras al reparar la bomba, deje que se enfríe durante 20 minutos después de apagado antes de manejar.

No permita que la bomba o cualquier componente del sistema se congelen.

Para ello, se anulará la garantía.

Bombee agua solamente con esta bomba.

Inspeccione periódicamente la bomba y los componentes del sistema.

Use gafas de seguridad en todo momento cuando trabaje con bombas.

! ADVERTENCIA Riesgo de explosión. Cuerpo de la bomba puede explotar si se utiliza como una bomba de refuerzo.

INSTALACIÓN

Antes de instalar la bomba

AVISO

1. La entrada de succión de agua de la bomba no debe ser más que 20 'por encima del nivel del agua.
2. Los tramos largos y muchos accesorios aumentan la fricción y reducen el flujo de agua a la bomba. Colo que la bomba tan cerca de la fuente de agua como sea posible; utilizar el menor número de codos y accesorios como sea posible. Sé línea de succión esté derecho y ángulos hacia la bomba.
3. Asegúrese de que el pozo y el tubo estén libres de arena, la suciedad y la escala. Materia extraña tapaná la bomba y anulará la garantía. Use tubería nueva para obtener mejores resultados.
4. La congelación dividirá tubería, dañará la bomba y anulará la garantía. Compruebe localmente para los requisitos de protección contra heladas. La bomba no se puede instalar debajo de la línea de enfriamiento y la bomba debe estar aislada.
5. Las válvulas de pie o de retención se deben instalar en la tubería de succión para optimizar succión de la bomba.
6. Asegúrese de que todas las tuberías y válvulas están limpios y en buen estado.
7. No hay bolsas de aire en la tubería de succión.
8. No hay fugas en la tubería de succión. Utilice cinta de teflón u otros selladores aprobados para sellar juntas de la tubería.
9. Los sindicatos instalados cerca de la bomba y así ayudarán en el mantenimiento. Deje espacio para utilizar llaves.

! ADVERTENCIA Riesgo de explosión.

No conecte a tierra a una tubería de suministro de gas. El cuerpo de la bomba puede explotar si se utiliza como una bomba de refuerzo o que no sea una aplicación de aspersión céspedes.

! PRECAUCION Riesgo de quemaduras.

Motor normalmente funciona a alta temperatura y será demasiado caliente al tacto. Está protegido de daños de calor durante el funcionamiento de un interruptor automático de corte interno.

Antes de la bomba de la manipulación o el motor, pare el motor y deje que se enfríe durante 20 minutos.

Instalación del tubo del pozo

AVISO

Utilice el método de instalación por debajo del cual coincide con su fuente de agua.

Instalación de Pozo entubado/ Pozo excavado

1. Inspeccione el pie o en la válvula de retención en línea para asegurarse de que funciona libremente. Inspeccione el filtro para asegurarse de que está limpio y seguro.
2. Si se utiliza una válvula de pie, conecte la válvula de pie y filtro al primer tramo de tubo de succión y el tubo inferior en el pozo. Añadir secciones de tubería, según sea necesario, usando cinta de teflón en las roscas macho. Nota: utilice 1-1 / 2 "para tubo de succión. Asegúrese de que toda la tubería de succión es a prueba de fugas o bomba perderán primer y dejar de bombear. Instalar la válvula de pie 10 a 20 ft. (3 a 6 m) por debajo del nivel más bajo al que el agua se reducirá mientras la bomba está en funcionamiento (el bombeo de nivel de agua). Su perforador de pozos puede proporcionar esta información.
3. Para evitar que la arena y sedimento entre en el sistema de bombeo, la válvula de pie / filtro debe ser de al menos 5 pies. (1,5 m) por encima del fondo del pozo.
4. Cuando se alcanza la profundidad adecuada, instale sello sanitario sobre la tubería y en el revestimiento del pozo. Apriete los pernos para sellar la carcasa.
5. Cuando se utiliza una válvula de pie, se recomienda una camiseta de cebado y enchufe. (Fig. 1).

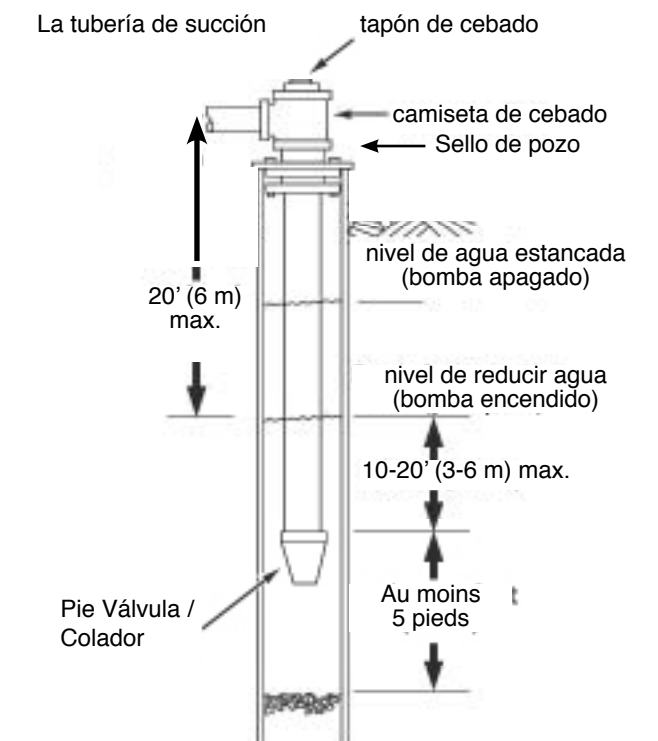
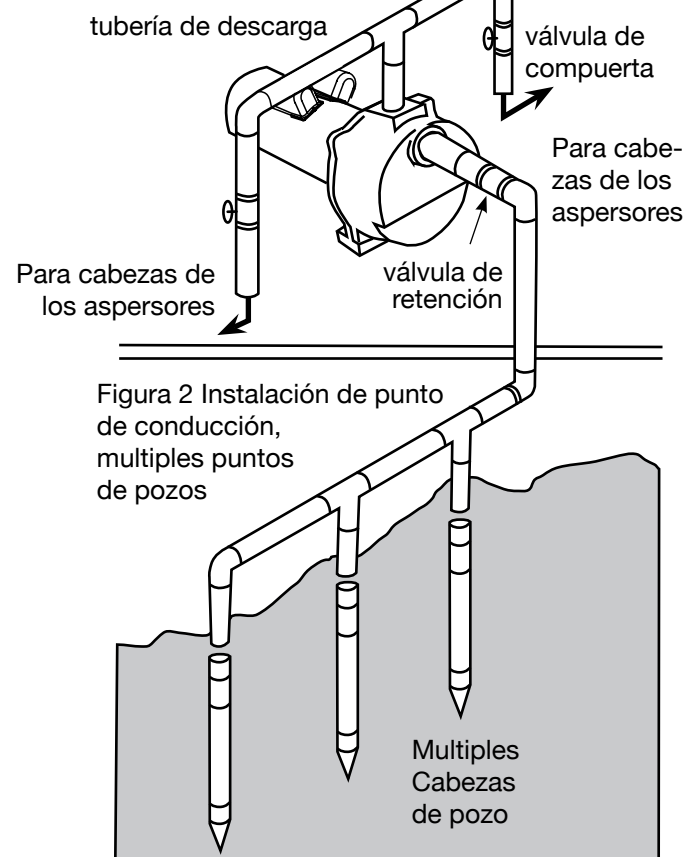


Figura 1 - Instalación de pozo entubado / cavado

INSTALACIÓN

Instalación de punto impulsado

1. Conectar la tubería de aspiración a punto impulsado (Fig. 2). Mantenga conducto de tubería horizontal lo más corto posible. Utilice cinta de teflón en las roscas macho. Puntos de pocillos múltiples pueden ser necesarios para proporcionar suficiente agua a la bomba.
2. Instale la válvula de retención en la tubería horizontal. Flujo flecha en la válvula de retención debe apuntar hacia la bomba.



Tubo del pozo a la bomba

1. Rendimiento de la bomba se reducirá si el diámetro de la tubería es menor que el tamaño de la entrada de la bomba. En una instalación adecuada, el tamaño del tubo es igual al tamaño de la entrada.
2. Para facilitar el cebado de las instalaciones puntuales así, instale una válvula de retención en línea. Asegúrese de válvula de retención de flecha de flujo de puntos hacia la bomba.

Tubo de la bomba a cabezas rociadores

Tamaño de la tubería de descarga se debe aumentar para reducir las pérdidas de presión causadas por la fricción en tuberías largas.

- Hasta 100' (30.5 m) de ejecución: Del mismo tamaño que el puerto de descarga de la bomba.
- 100' – 300' (30.5 – 91.4 m) de ejecución: Aumenta tamaño de un tubo.
- 300' – 600' (91.4 – 182.9 m) de ejecución: Aumenta tamaño de dos tubos.

Aplicación de Aspersión de Césped

Esta bomba está diseñada para la aspersión de césped. Cuando se instala adecuadamente, va a entregar el agua y la presión adecuada de cualquier fuente bien.

Pump/Piping Installation Instalación Bomba

Si al girar la bomba de encendido y apagado por la presión, se requiere un interruptor de presión y el tanque. Para obtener instrucciones de instalación y operación adecuados llamar a Servicio al Cliente. Use tubería rígida. No utilice la manguera o tubo de plástico. Consulte "Instalación Bueno Pipe" para obtener más información.

AVISO

Use solamente cinta de sellador de roscas PTFE a los compuestos para juntas para hacer todas las conexiones roscadas a la propia bomba. No use compuestos para juntas de tuberías en bombas de plástico: estos pueden reaccionar con el plástico en los componentes de la bomba. Asegúrese de que todas las juntas de la tubería en la tubería de aspiración sean herméticas y estancas. Si la tubería de aspiración aspira aire, la bomba no podrá sacar agua del pozo.

1. Empernar la bomba a base sólida y nivelada.
2. Apoyar todas las tuberías conectadas a la bomba.
3. Envolver 1-1/2 a 2 capas de cinta de teflón al sentido de las agujas del reloj (según se mira el extremo del tubo) en todas las roscas macho que se adjuntan a la bomba.
4. Apriete articulaciones apretado con la mano más 1-1/2 vueltas. No apriete demasiado.
5. Reemplace el tapón de cebado con manómetro. Esto ayudará en zonas de tamaño, resolución de problemas, y siguiente tabla de rendimiento. la bomba.

AVISO

Durante largos tramos de tuberías horizontales, instalar una T de cebado entre la válvula de retención y de cabeza de pozo (Fig. 1).

ELÉCTRICO

⚠ Desconecte la alimentación antes de trabajar en la bomba, el motor, el interruptor de presión o cableado

⚠ PRECAUCIÓN El motor puede estar caliente. Dejar enfriar 20 minutos.

⚠ PRECAUCIÓN a presión del agua puede haber acumulado en las bombas, tuberías y / o depósito. Drenar el agua para aliviar la presión.

Configuración del interruptor del motor

Los motores están diseñados para funcionar con 115 voltios o corriente de 230 voltios. Asegúrese actual del motor se ajusta para que coincida con el ser corriente suministrada a su motor de la fuente eléctrica.

Cableado

⚠ ADVERTENCIA Riesgo de choque eléctrico Puede causar chocar, Puede causar chocar,

1. Para evitar choques eléctricos peligrosos o fatales, desconecte la alimentación eléctrica al motor antes de trabajar en las conexiones eléctricas.
2. Ponga el motor en la tierra antes de conectar a la fuente de alimentación eléctrica. La falta de motor a tierra puede causar un peligro de descarga eléctrica grave o mortal.
3. La tensión de alimentación debe estar dentro +/- 10% del voltaje nominal. Una tensión incorrecta puede causar un incendio o daños en el motor y anula la garantía. Si tiene dudas, consulte a un electricista con licencia.
4. Utilice el tamaño de cable se especifica en el Cuadro de Cables (abajo). Si es posible, conecte la bomba a un circuito derivado separado sin otros aparatos conectados al mismo.
5. No efectúe la conexión a una línea de suministro de gas.
6. motor de alambre de acuerdo con el diagrama de la placa de identificación del motor. Si diagrama difiere del diagrama anterior, siga el diagrama placa de identificación.
7. Si este procedimiento o los diagramas de cableado son confusas, consulte a un electricista autorizado.

Para su uso EFLS10, EFLS15 y EFLS20

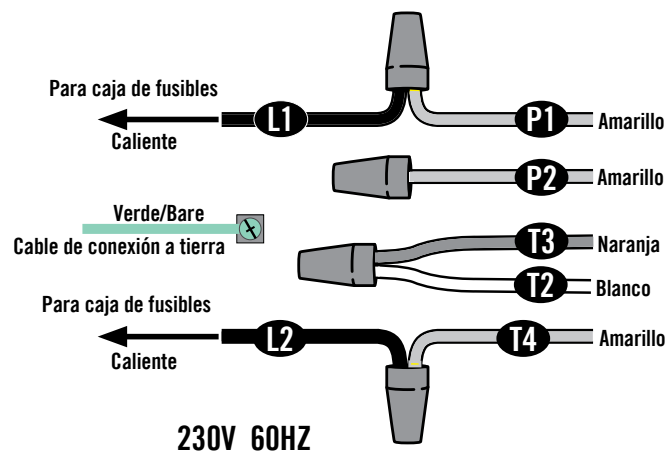
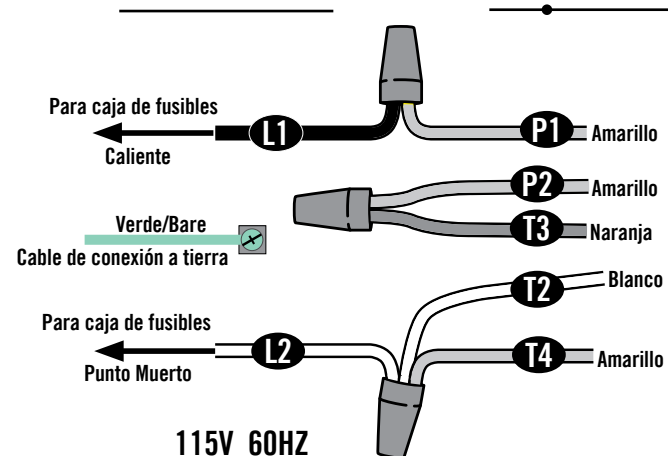


Gráfico de Tamaños Recomendados de Cable y Fusible Para 115 y 230 voltios

MOTOR HP	VOLTS	MAX. CARGA AMP	TASA DE SUCURSAL DEL FUSIBLE	AWG MIN TAMANO DE ALAMBRE (mm ²)	DISTANCIA EN PIES DE MOTOR A SUMINISTRO				
					0-100	101-200	201-300	301-400	401-500
AWG TAMAÑO DE ALAMBRE(mm ²)									
1	115/230	18.5/9.25	30/15	12/14 (3/2)	12/14 (8.4/2)	8/14 (2/2)	6/14 (14/2)	6/12 (14/3)	4/10 (21/5.5)
1-1/2	115/230	22/11	30/15	10/14 (5.5/2)	12/14 (8.4/2)	8/14 (8.4/2)	6/12 (14/3)	4/10 (21/5.5)	4/10 (21/5.5)
2	115/230	27.0/13.5	30/20	10/14 (5.5/2)	6/14 (14/2)	8/14 (8.4/2)	6/12 (14/3)	4/10 (21/5.5)	4/10 (21/5.5)

OPERACIÓN



ADVERTENCIA

Presión Peligrosa. Instale una válvula de alivio de presión en la tubería de descarga. Libere toda la presión del sistema antes de trabajar en cualquier componente.

Cebado de la bomba

AVISO 'cebado' "se refiere a la bomba expulsa todo el aire en el sistema y comenzar a mover el agua de su fuente a cabo en el sistema. No se refiere sólo a echar agua en la bomba (aunque vertiendo agua en es generalmente el primer paso).

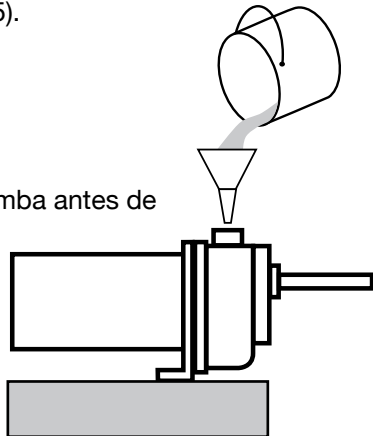
PRECAUCION

Riesgo de quemaduras. NUNCA haga funcionar la bomba en seco. Si la bomba funciona sin agua puede provocar la bomba a calor excesivo, dañar el sello y tal vez causar quemaduras a per- hijos estén manejando. Llene la bomba con agua antes de comenzar.

Paso 1 Retire el tapón de cebado.

Paso 2 Asegúrese de que las válvulas de succión y descarga y las mangueras en el lado de descarga de la bomba están abiertas.

Paso 3 Rellena la bomba y la tubería de succión con agua (Fig. 5).



(Figura 5)
Llene la bomba antes de empezar

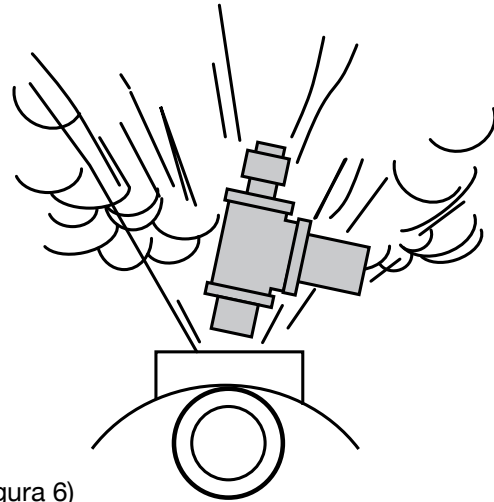
Paso 4: Vuelva a colocar el tapón de cebado, usando cinta de teflón en hilo; apretar el tapón. AVISO Si se han proporcionado soporte de cebado y el en chufe para la corrida horizontal largo, asegúrese de llenar la tubería de succión a través de esta camiseta y colocar el tapón. (Utilice la cinta de teflón en el enchufe.)

Paso 5 Encienda la bomba; el agua debe ser producido en 10 minutos o menos, el tiempo depende de la profundidad del agua (no más de 20 pies (6 m)) y la longitud del tramo horizontal (10 '(3 m)) del tubo horizontal de aspiración = 1 '(30,5 m) de elevación vertical debido a las pérdidas por fricción en la tubería). Si no hay agua se produce dentro de los 10 minutos, detenga la bomba, libere toda la presión, quite el tapón de cebado, vuelva a llenar y vuelve a intentarlo.

ADVERTENCIA

Peligro de explosión y quemaduras.

NUNCA haga funcionar la bomba hacia una descarga cerrada. El hacerlo puede hervir el agua dentro de la bomba, causando presión peligrosa en la unidad, el riesgo de explosión y de personas posiblemente hirvientes estén manejando (Fig. 6). Vuelva a colocar el tapón de cebado con la presión de calibre Asegúrese de controlar la presión de manera que es no permite que exceda la presión máxima de bombeo de acuerdo con la tabla de rendimiento.



(Figura 6)
No haga funcionar la bomba con la salida apagada

Para evitar explosiones, asegúrese de descarga (válvula, empuñadura de pistola boquilla de la manguera, etc) está abierta cuando la bomba está funcionando. Monitoree el cuerpo de la bomba y la temperatura de tubería. El motor se caliente; esto es normal. Si el cuerpo de la bomba o la tubería comienza a sentirse caliente al tacto, apague la bomba y deje que el sistema se enfríe. Libere toda la presión en el sistema y de la bomba y la tubería de llenado con agua fría.

SOLUCIÓN DE PROBLEMAS

ADVERTENCIA

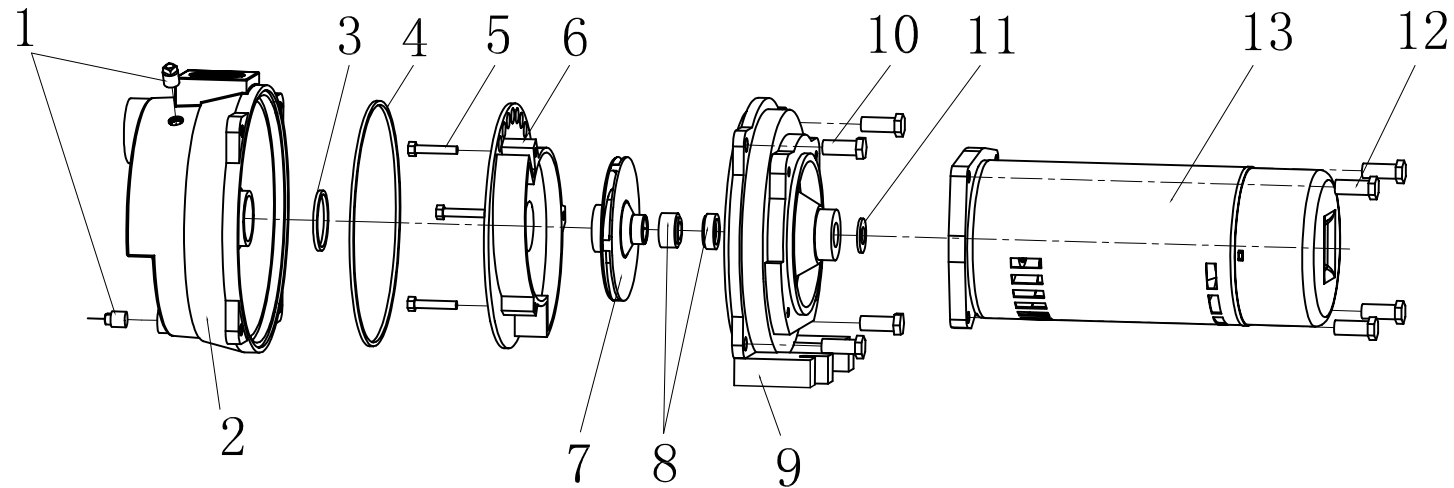
Riesgo de choque eléctrico. Puede causar choque, quemaduras o muerte. Para descargar el capacitor, mantenga el tornillo de la manija aislado POR LOS MANGO y terminales de condensadores corto juntos. No toque los terminales de cuchilla destornillador o condensadores de metal. En caso de duda, consulte a un electricista calificado.

	CAUSA (S) POSIBLE	CORRECTIVE ACTION
El motor no funciona	Desconectar el interruptor está apagado	Asegúrese de que está encendido.
	El fusible está quemado o el disyuntor activado	Reemplace el fusible o reinicie el disyuntor.
	Interruptor de arranque está defectuoso	DESCONECTE LA ENERGÍA; Reemplace el interruptor de partida
	Alambres de motor están sueltos, desconectados, o cableada de forma incorrecta	Consulte las instrucciones sobre el cableado. DESCONECTE LA ENERGÍA; revisar y apretar todo el cableado.
El motor funciona caliente y sobrecarga arranca o el motor no funciona y sólo tararea.	El motor está conectado en forma incorrecta	Consulte las instrucciones sobre el cableado.
	El voltaje es demasiado bajo	Verifique con la compañía eléctrica. Instale el cableado pesado si el tamaño del cable es demasiado pequeño (Ver Cuadro Eléctrico / Cableado)
El motor funciona pero no hay agua se entrega *	Bomba en la nueva instalación no recoger el cebado a través de:	En la nueva instalación:
	1. cebado incorrecto	1. Vuelva a cebado de acuerdo a las instrucciones.
	2. Las fugas de aire	2. Revise todas las conexiones en la línea de succión y AVC con crema de afeitar.
	3. Fugas en la válvula de pie o válvula de retención	3. Reemplace la válvula de pie o válvula de retención.
	4. Tamaño de la tubería demasiado pequeño	4. Volver a conducir por tubería con el tamaño de los puertos de succión y descarga de la bomba.
	Bomba ha perdido el cebado mediante:	En la instalación ya en uso:
	1. Las fugas de aire	1. Revise todas las conexiones en la línea de succión y el sello del eje.
	2. nivel de agua por debajo de entrada de la tubería de succión	2. Baje la línea de succión en agua y re-prime. Si retroceso del nivel de agua en el pozo excede 25 '(7.6M), se necesita una bomba de pozo profundo.
	El impulsor está conectado	Limpie el impulsor
	La válvula de retención o válvula de pie está cerrada atascado	Reemplace la válvula de retención o válvula de pie.
La bomba no impele agua a plena capacidad.	Los tubos se congelaron	Tubos de descongelación. Entierre las tuberías por debajo de la línea de enfriamiento. Calentar el pozo o casa de la bomba.
	Válvula y / o colador de pie están enterrados en la arena o el barro	Elevar la válvula y / o colador de pie por encima de la parte inferior de la fuente de agua.
	El nivel del agua en el pozo es menor de lo estimado.	Se necesitará un chorro de pozo profundo si su pozo es más de 25 pies (7.6 m) de profundidad de agua.
	Tuberías de acero (si se utiliza) está corroído o encalados, causando exceso de fricción	Reemplazar con tubería de plástico cuando sea posible, de lo contrario con la nueva tubería de acero.
La bomba tiene fugas alrededor de la abrazadera	La tubería es demasiado pequeña en tamaño	Utilice tuberías más grande.
	La bomba no se suministra con suficiente agua	Añadir puntos de pozos adicionales
	Sujetar suelta	PARAR BOMBA, apriete la tuerca de sujeción 1-2 vueltas. Apriete y toque en la abrazadera con un mazo para asentar O-anillo. No apriete demasiado.

Tabla de rendimiento en GPM (LPM)

MODEL	HP	Distancia de BOMBA AGUA ARRIBA	GPM PROFUNDIDAD (gallones por minuto) @ profundidades			
			10	20	30	40
EFLS10	1	5'	56	52	45	20
		10'	52	48	40	14
		15'	49	45	37	
		20'	45	40	30	
EFLS15	1-1/2	5'	63	58	53	32
		10'	59	55	50	29
		15'	55	51	45	13
		20'	50	46	40	
EFLS20	2	5'	70	66	61	36
		10'	65	61	55	27
		15'	60	57	51	23
		20'	53	50	45	13

PIEZAS DE REPUESTO



NO.	CANTIDAD	NÚMERO DE PIEZAS	DESCRIPCIÓN
1	2	EFLS15014	Enchufe (304)
2	1	EFLS15006	Voluta (HT200)
3	1	EFLS15007	O-Anillo (NBR)
4	1	EFLS15008	O-Anillo (NBR)
5	3	EFLS15009	Tornillo (304)
6	1	EFLS15005	Difusor (PPO+20%GF)
7	1	EFLS10004	Impulsor (1 HP)
	1	EFLS15004	Impulsor (1-1/2 HP)
	1	EFLS20004	Impulsor (2 HP)
8	1	EFLS15003	Sello
9	1	EFLS15002	Placa de sello (HT200)
10	4	EFLS15010	Tornillo (304)
11	1	EFLS15012	V-Anillo(NBR)
12	4	EFLS15011	Perno (304)
13	1	EFLS10001	Motor (1 HP)
	1	EFLS15001	Motor (1-1/2 HP)
	1	EFLS20001	Motor (2 HP)

GARANTÍA

Guarde el recibo original para Garantía de Elegibilidad

Garantía Limitada

El fabricante garantiza al comprador original ("Comprador" o "Usted") que sus productos están libres de defectos de material y mano de obra durante un periodo de doce (12) meses desde la fecha de la compra original. Si, dentro de los doce (12) meses a partir de la compra del consumidor original, cualquiera de los productos demostrara estar defectuoso, el mismo será reparado o reemplazado, a opción del fabricante, sujeto a los términos y condiciones establecidos en este documento. Tenga en cuenta que esta garantía limitada se aplica a la fabricación y no defectos de desgaste normal.

Todos los legados mecánicos necesitan periódicamente repuestos y servicio para rendir bien. Esta garantía limitada no cubre la reparación cuando el uso normal haya agotado la vida útil de una pieza concreta del equipo.

La etiqueta de información del recibo de compra y la garantía del producto original, se requieren para determinar la elegibilidad de la garantía. La elegibilidad se basa en la fecha de compra o producto original - no la fecha de la sustitución de la garantía. La garantía está limitada a la reparación o sustitución del producto adquirido original solamente, no producto de reemplazo (es decir, una garantía de sustitución permitido por compra).

El comprador paga todos remoción, instalación, mano de obra, transporte, y gastos imprevistos.

Las reclamaciones en virtud de esta garantía deberá ser presentada por contacto y devolver el producto a la fábrica inmediatamente después del descubrimiento o cualquier supuestos defectos. Fabricante tomará luego la acción correctiva tan pronto como sea razonablemente posible. No se aceptarán solicitudes de servicio si se recibe más de 30 días después del vencimiento de la garantía. La garantía no es transferible y no se aplica a productos usados en aplicaciones comerciales / alquiler.

Términos y Condiciones Generales; Limitaciones de los Remedios

Usted debe pagar todo el trabajo y cargas necesarias envío para reemplazar el producto cubierto por esta garantía. Esta garantía no se aplica a lo siguiente: (1) los actos de Dios; (2) los productos que, a juicio exclusivo del fabricante, han sido objeto de negligencia, abuso, accidente, mala aplicación, manipulación o alteración; (3) los fallos debidos a la instalación, operación, mantenimiento o almacenamiento; (4) la aplicación atípica o no aprobado, uso o servicio; (5) fallas causadas por corrosión, oxidación u otros elementos extraños en el sistema, o funcionamiento a presión por encima del máximo recomendado.

Esta garantía establece la única obligación del fabricante y el único recurso del comprador por productos defectuosos.

FABRICANTE NO SE HACE RESPONSABLE POR CUALQUIER DAÑO CONSECUENTE, INCIDENTAL O CONTINGENTE. LAS GARANTÍAS ANTERIORES LIMITADA SON EXCLUSIVOS Y EN LUGAR DE TODAS LAS DEMÁS GARANTÍAS IMPLÍCITAS, INCLUYENDO PERO NO LIMITADO A LAS GARANTÍAS DE COMERCIALIZACIÓN Y APTITUD PARA UN PROPÓSITO PARTICULAR. EL PRECEDENTE GARANTÍA NO SE EXTIENDE MÁS ALLÁ DE LA DURACIÓN SE INDICA.

Algunos estados no permiten la exclusión o limitación de daños o limitaciones incidentales o consecuentes en la duración de una garantía implícita, por lo que las limitaciones o exclusiones anteriores no se apliquen a usted. Esta garantía le otorga derechos legales específicos y usted también puede tener otros derechos que varían de estado a estado.



1899 Cottage Street, Ashland, Ohio 44805
Teléfono: 1-877-326-3561
Fax: 1-877-326-1994
www.ecofloproducts.com

For parts or assistance, call ECO-FLO Customer Service at 1-877 326-3561