



# Owner's Manual RSE Series Cast Iron Sewage Pumps



## TABLE OF CONTENTS

General Safety . . . . .	2
Specifications. . . . .	3
Installation. . . . .	4 & 5
Troubleshooting . . . . .	6
Repair Parts . . . . .	7
Warranty . . . . .	8



# Before you start

A sump pump is an electrical device designed to operate in inherently wet environments.

## **ALWAYS USE EXTREME CAUTION**

when installing or maintaining this product!

**Need Help:** Call 1-877-326-3561 for assistance;  
Do Not Return to Store

## GENERAL SAFETY


### Important Safety Instructions


*Carefully read and follow all safety instructions in this manual and on pump.*


SAVE THESE INSTRUCTIONS – This manual contains important instructions that should be followed during installation, operation, and maintenance of the product.


Save this manual for future reference.

### Safety Labels

 This is the safety alert symbol. When you see this symbol on your pump or in this manual, look for one of the following signal words and be alert to the potential for personal injury!

 **DANGER** Indicates a hazard which, if not avoided, will result in death or serious injury.


 **WARNING** Indicates a hazard which, if not avoided, could result in death or serious injury.

 **CAUTION** Indicates a hazard which, if not avoided, could result in minor or moderate injury.

**NOTICE** indicates practices not related to personal injury.

Keep safety labels in good condition. Replace missing or damaged safety labels.

### General Safety


 **CAUTION** Risk of burns. Do not touch an operating motor. Motors are designed to operate at high temperatures. To avoid burns when servicing pump, allow it to cool for 20 minutes after shut-down before handling.

Do not allow pump or any system component to freeze. To do so will void warranty.

Pump water only with this pump.

Periodically inspect pump and system components.

Wear safety glasses at all times when working on pumps.

 **WARNING** Risk of explosion. Pump body may explode if used as a booster pump.

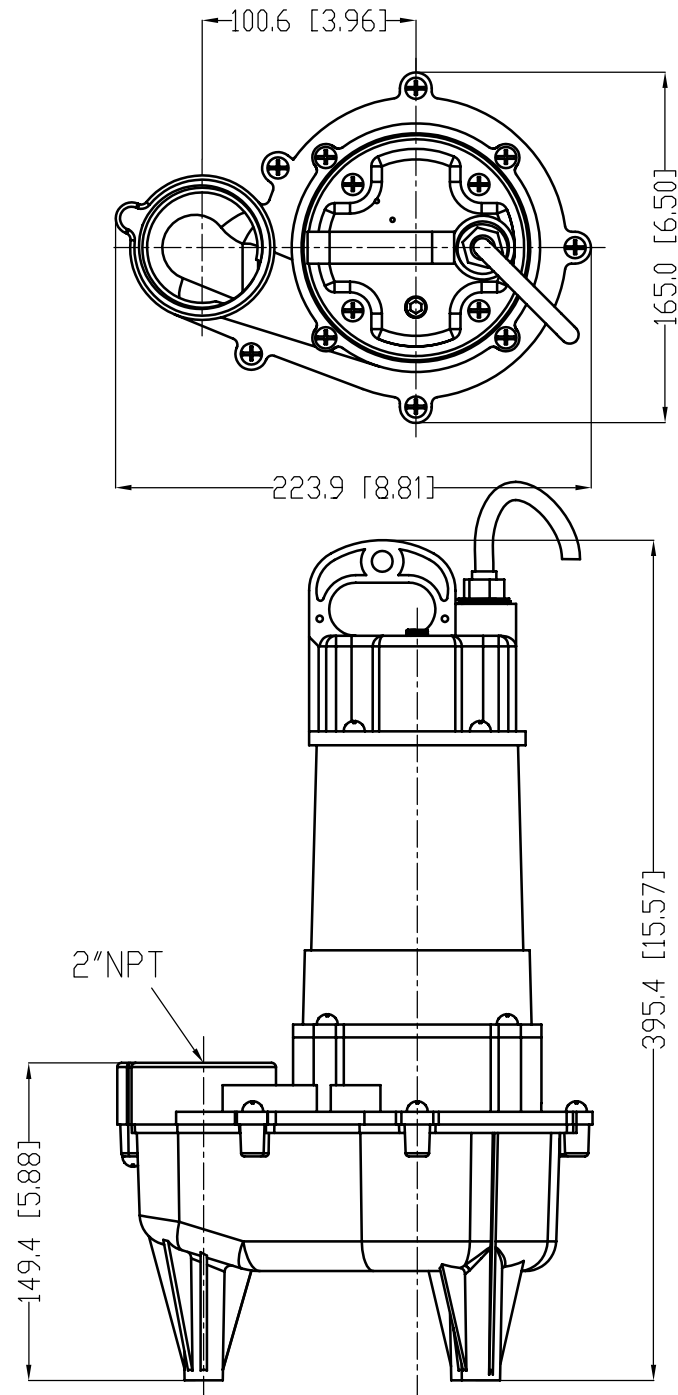
For parts or assistance, call ECO-FLO Customer Service at 1-877 326-3561

## APPLICATIONS

Ideal for Below Grade Toilets, Laundry Facilities and for Use at Construction Sites.

## SPECIFICATIONS & PERFORMANCE

Model	HP	Volt	Ph	Amps	Capacity (GPH at 0')	Max Head	Construction	Impeller	Cord Length	Solids Pumped
RSE50M	1/2	115	1	8.0	5700	18'	Cast Iron	Thermoplastic	20'	2"
RSE50W	1/2	115	1	8.0	5700	18'	Cast Iron	Thermoplastic	20'	2"



For parts or assistance, call ECO-FLO Customer Service at 1-877 326-3561

## INSTALLATION

**⚠️ WARNING** Do not work on pump until power is unplugged.

**⚠️ WARNING** Do not cut off ground pin or use an adapter fitting.

Do not use an extension cord.

The pump power cord should be connected to a separately fused, grounded line with a minimum capacity of 15 amps. It can be connected to non-fuse breaker at the recommended amperes.

1. Before installing or servicing this pump, be certain pump's power source is disconnected.
2. Installation and electrical wiring must adhere to state and local codes and must be completed before priming pump. Check appropriate community agencies, or contact local electrical and pump professionals.
3. Call an electrician when in doubt. Pump should be connected to a separate 15 amp circuit breaker or 15 amp fuse block.

Note that plugging into existing outlets may cause low voltage at motor. This could cause blown fuses, tripping of motor overload or burned out motor.

4. A permanent ground connection from pump to the grounding bar at the service panel is mandatory. These sump pumps come with a grounding conductor and a grounding-type attachment plug. Do not connect pump to a power supply until permanently grounded.

For maximum safety, connect pump to a circuit equipped with a fault interrupter device when positioning the pump's grounding wire.

5. Voltage of power supply must match the voltage of the pump.
6. Before installing pump, clear sump basin of any water, debris or sediment.

**⚠️ WARNING** Sump basin must be vented in accordance with local plumbing codes. These Sump pumps are not designed for and CANNOT be installed in locations classified as hazardous.

7. The following may cause injury and/or severe damage to pump and will void the warranty.
  - (a) Using an extension cord.

- (b) Cutting off the ground pin or using an adapter fitting.
- (c) Working on pump or switch while plugged in.
- (d) Removing motor housing, unscrewing impeller, or otherwise removing impeller seal.
- (e) Running the pump continuously.
- (f) Pumping chemicals or corrosive liquids.
- (g) Pumping gasoline or other flammable liquids

8. Plastic PVC pipe can be installed in the outlet piping. Drain hose, galvanized steel or copper pipe may be used if desired. All piping must be clean and free of all foreign matter to prevent clogging.
9. Pump will be inadequate if suspension liquids contain solid particles larger than 2".

## ELECTRICAL WIRE CONNECTION

**⚠️ WARNING** Verify that the voltage and frequency of the pump shown on the nameplate corresponds to those available on the mains. The installer must make sure that the electric system is grounded in accordance with code.

- For outdoor use it is necessary to use cable with a length of at least 8'. The plug and connection should be protected from water splashes. Before using the pump, always inspect it visually (especially power cable and plug)
- Do not use pump if it is damaged
- If the pump is damaged, have it inspected by an authorized service center.
- Make sure that electric connections are protected from flooding. Protect the plug and the power cable from heat or sharp edges.

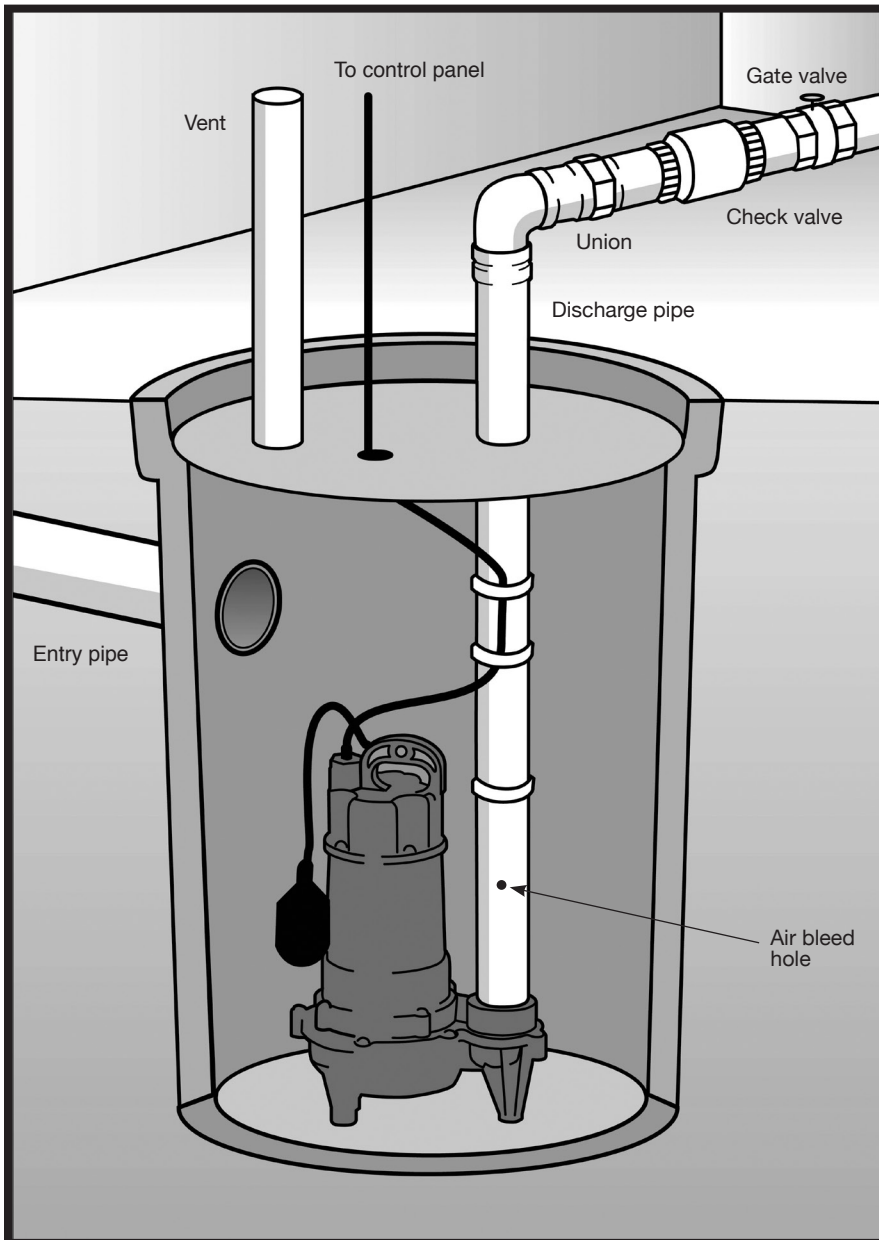
**⚠️ WARNING** The power cable must be replaced by qualified personnel only. Grounding: The plug of the power cable has a double grounding contact, so that grounding can be performed by simply inserting the plug.

## OVERLOAD PROTECTION

This pump series has a built in thermal protection switch. The pump stops if an overload condition occurs. The motor restarts automatically after it has cooled down. If it doesn't start automatically, unplug the pump and plug it back in.

**For parts or assistance, call ECO-FLO Customer Service at 1-877 326-3561**

## INSTALLATION



For automatic operation, pump must be plugged or wired into remote float switch or liquid level controller. Installation instructions included with switches and controllers should be referred to for installation.

Pump will run continuously if plugged directly into an electrical outlet. Care should be taken to prevent pump running in a dry sump.

Pump must be installed in a suitable gas tight basin which is at least 24" in diameter and 36" deep and vented in accordance with local plumbing codes. Pump must be placed on a hard level surface. Never place pump directly on clay, earth or gravel surfaces.

Pump can be installed with ABS, PVC, polyethylene or galvanized steel pipe. Proper adapters are required to connect plastic pipe to pump.

Always install a union in the discharge line, just above the sump pit to allow for easy removal of the pump for cleaning or repair.

A check valve must be used in the discharge line to prevent back flow of liquid into the basin. The check valve should be a free flow valve that will easily pass solids.

**CAUTION:** For best performance of check valves when handling solids install in a horizontal position or at an angle of not more than 45°. Do not install check valve in a vertical position as solids may settle in valve and prevent opening start-up.

When check valve is used, drill a relief hole 3/16" in diameter in the discharge pipe. This hole should be located below the floor line between the pump discharge and the check valve. Unless such a relief hole is provided, the pump could "air-lock" and will not pump water even though it will run.

A gate valve should follow the check valve to allow periodic cleaning of the check valve or removal of the pump.

The remainder of the discharge line should be as short as possible with a minimum of turns to minimize friction head loss. Do not restrict the discharge to sizes below 2'.

Sewage and effluent applications will require a separate sump vent. A connection is provided on top of the sump or cover which must be piped to the existing building vent or extended outside with its own standpipe.

## TROUBLESHOOTING CHECKLIST (Caution: shut off power to pump)

PROBLEMS	POSSIBLE CAUSES/SOLUTIONS
PUMP DOES NOT RUN AND MAKES HUMMING SOUND	<ul style="list-style-type: none"> <li>• Line circuit breaker is off, or fuse is blown or loose</li> <li>• Water level in sump has not reached turn-on level as indicated in installation drawing.</li> <li>• Pump cord is not making contact in receptacle.</li> <li>• Float is stuck. It should operate freely in basin.</li> <li>• If all of the above are OK, then the motor could be malfunctioning.</li> </ul>
PUMP RUNS BUT DOES NOT DELIVER WATER	<ul style="list-style-type: none"> <li>• Check if valve is installed backwards. Arrow on valve should point direction of flow</li> <li>• Discharge shut-off valve (if used) may be closed.</li> <li>• Impeller or volute openings are fully or partially clogged. Remove pump and clean.</li> <li>• Pump is air-locked. Start and stop several times by plugging and unplugging cord. Check for clogged vent hole in pump case.</li> <li>• Inlet holes in pump base are clogged. Remove pump and clean the openings.</li> <li>• Vertical pumping distance is too high. Reduce distance or change the discharge fittings of the pump.</li> </ul>
PUMP RUNS AND PUMPS OUT SUMP, BUT DOES NOT STOP	<ul style="list-style-type: none"> <li>• Float is stuck in up position. Be sure float operates freely in basin.</li> <li>• Defective float switch. Replace float switch.</li> </ul>
PUMP RUNS BUT ONLY DELIVERS A SMALL AMOUNT OF WATER	<ul style="list-style-type: none"> <li>• Pump is air-locked. Start and stop several times by plugging in and unplugging cord. Check for clogged vent hole in pump case.</li> <li>• Vertical pumping distance is too high. Reduce distance or change the discharge fitting of the pump. Inlet holes in pump base are clogged. Remove pump and clean the strainer and openings.</li> <li>• Impeller or volute openings are fully or partially clogged. Remove pump and clean.</li> <li>• Pump impeller is partially clogged with tar or paint, causing motor to run slow and overload. Remove pump and clean.</li> </ul>
FUSE BLOWS OR CIRCUIT BREAKER TRIPS WHEN PUMP STARTS	<ul style="list-style-type: none"> <li>• Pump impeller is partially clogged causing motor to run slow and overload. Remove pump and clean.</li> <li>• Motor stator may be defective.</li> <li>• Fuse size or circuit breaker may be too small. (must be 15 amps).</li> <li>• Impeller or volute opening are fully or partially clogged. Remove pump and clean .</li> </ul>
MOTOR RUNS FOR A SHORT TIME, THEN STOPS	<ul style="list-style-type: none"> <li>• Inlet holes in pump base are clogged. Remove pump and clean the openings.</li> <li>• Pump impeller is partially clogged causing motor to run slow and overload. Remove pump and clean.</li> <li>• Motor stator may be defective.</li> <li>• Impeller or volute openings are fully or partially clogged. Remove pump and clean. Also clean the strainer if one is installed.</li> </ul>

### ELECTRICAL PRECAUTIONS



**WARNING** Before servicing a pump, always shut off the main power breaker and then unplug the pump. Make sure you are not standing in water and are wearing insulated protective sole shoes, under flooded conditions. Contact your local electric company or a qualified licensed electrician for disconnecting electrical service prior to pump removal

**For parts or assistance, call ECO-FLO Customer Service at 1-877 326-3561**



# WARRANTY

## Retain Original Purchase Receipt for Warranty Eligibility

### Limited Warranty

Manufacturer warrants to the original consumer purchaser (“Purchaser” or “You”) that its products are free from defects in material and workmanship for a period of twenty-four (24) months from the date of the original consumer purchase. If, within twenty-four (24) months from the original consumer purchase, any such product shall prove to be defective, it shall be repaired or replaced at manufacturer’s option, subject to the terms and conditions set forth herein. Note that this limited warranty applies to manufacturing defects only and not to ordinary wear and tear. All mechanical devices need periodic parts and service to perform well. This limited warranty does not cover repair when normal use has exhausted the life of a part or the equipment.

The original purchase receipt and product warranty information label are required to determine warranty eligibility. Eligibility is based on purchase date or original product – not the date of replacement under warranty. The warranty is limited to repair or replacement of original purchased product only, not replacement product (i.e. one warranty replacement allowed per purchase).

Purchaser pays all removal, installation, labor, shipping, and incidental charges.

Claims made under this warranty shall be made by returning the product to the retail outlet where it was purchased or to the factory immediately after the discovery or any alleged defect. Manufacturer will subsequently take corrective action as promptly as reasonably possible. No requests for service will be accepted if received more than 30 days after the warranty expires. Warranty is not transferable and does not apply to products used in commercial/rental applications.

### General Terms and Conditions; Limitations of Remedies

You must pay all labor and shipping charges necessary to replace product covered by this warranty. This warranty does not apply to the following: (1) acts of God; (2) products which, in manufacturer’s sole judgment, have been subject to negligence, abuse, accident, misapplication, tampering, or alteration; (3) failures due to improper installation, operation, maintenance or storage; (4) atypical or unapproved application, use or service; (5) failures caused by corrosion, rust or other foreign materials in the system, or operation at pressures in excess of recommended maximums.

This warranty sets forth manufacturer’s sole obligation and purchaser’s exclusive remedy for defective products.

MANUFACTURER SHALL NOT BE LIABLE FOR ANY CONSEQUENTIAL, INCIDENTAL, OR CONTINGENT DAMAGES WHATSOEVER. THE FOREGOING LIMITED WARRANTIES ARE EXCLUSIVE AND IN LIEU OF ALL OTHER EXPRESS AND IMPLIED WARRANTIES, INCLUDING BUT NOT LIMITED TO IMPLIED WARRANTIES OF MERCHANTABILITY AND FITNESS FOR A PARTICULAR PURPOSE. THE FOREGOING LIMITED WARRANTIES SHALL NOT EXTEND BEYOND THE DURATION PROVIDED HEREIN.

Some states do not allow the exclusion or limitation of incidental or consequential damages or limitations on how long an implied warranty lasts, so the above limitations or exclusions may not apply to You. This warranty gives You specific legal rights and You may also have other rights which vary from state to state.



1899 Cottage Street, Ashland, Ohio 44805  
Telephone: 1-877-326-3561  
Fax: 1-877-326-1994  
[www.ecofloproducts.com](http://www.ecofloproducts.com)



# Manuel D'utilisation RSE Series Fonte pompes pour eaux usées



## CONTENTS DU TABLEAU

Sécurité Générale. . . . .	9
Spécifications. . . . .	10
Installation. . . . .	11 - 12
Dépannage. . . . .	13
Garantie. . . . .	14





# Avant que vous commencez

Une pompe de puisard est un appareil électrique conçu pour fonctionner dans les environnements humides en soi.

## TOUJOURS UTILISEZ UNE ATTENTION EXTREME

lors d'installer ou maintenir ce produit!

**Besoin d'Aide:** Téléphonnez 1-877-326-3561 à l'aide; Ne Retournez pas au Magasin

### SECURITE GENERAL E

**Les étiquettes de sécurité des instructions de sécurité importante Lisez et suivez attentivement les instructions de sécurité dans ce manuel et sur la pompe.**

Conservez les Instructions – Ce manuel contient les instructions importantes qui devraient être suivies pendant l'installation, l'opération, et l'entretien du produit. Conservez ce manuel pour la référence future.

**!** C'est le symbole d'alerte de sécurité. Lorsque vous voyez ce symbole sur votre pompe ou dans ce manuel, cherchez un des mots-clés suivants et être attentif à la possibilité de blessures corporelles !

**! DANGER** Indicates a hazard which, if not avoided, will result in death or serious injury.

**! ADVERTISSEMENT** Indique un danger qui, si elle n'est pas évitée, entraînera la mort ou des blessures graves.

**! ATTENTION** Indique un danger qui, si elle n'est pas évitée, peut entraîner la mort ou des blessures graves.

**NOTICE** NOTICE indique que les pratiques ne sont pas liées à des blessures corporelles. Gardez les étiquettes de sécurité dans la bonne condition. Remplacez les étiquettes de sécurité manquantes ou endommagées.

### Sécurité générale

**! ATTENTION** Risque des brûlures  
Ne touchez pas un moteur d'opération. Les moteurs sont conçus pour fonctionner à hautes températures. Pour éviter les brûlures lors d'entretenir la pompe, laissez refroidir pendant 20 minutes après l'arrêt avant de le manipuler.

Ne laissez pas la pompe ou aucun composant du système geler. Faire comme cela va annuler la garantie.

Pompez l'eau seulement avec cette pompe.

Périodiquement, inspectez la pompe et les composants du système.

Portez des lunettes de sécurité en tout temps lorsque vous êtes en train de travailler sur les pompes.

**! ADVERTISSEMENT** Risque de l'explosion.  
Le corps de la pompe peut exploser si elle est utilisée comme une pompe de booster.

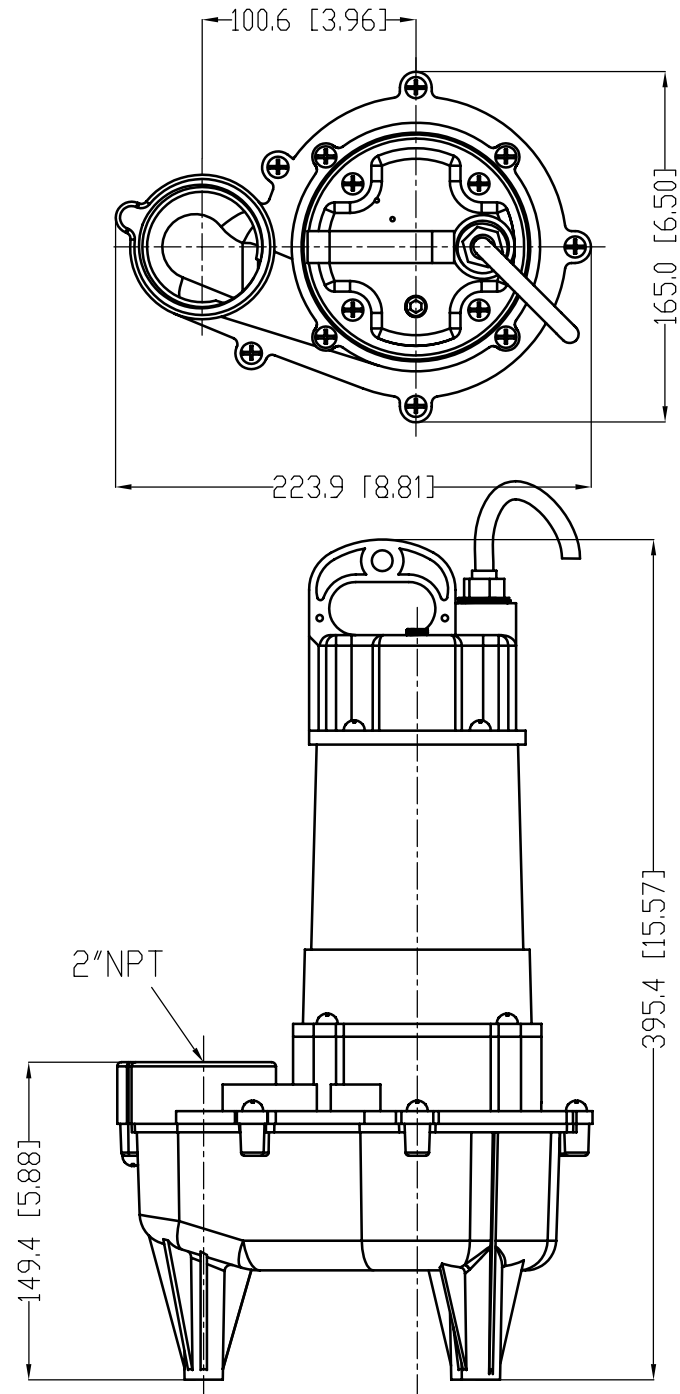
Pour les parts ou l'aide, téléphonez au Service de clientèle de ECO-FLO 1-877 326-3561

## APPLICATIONS

Idéale pour des toilettes souterraines, des équipements de laverie, et pour des utilisations sur sites de construction

## SPÉCIFICATIONS ET PERFORMANCES

Modèle	HP	Voltage	Ph	Ampères	Capacité (GPH at 0')	Tête Maximale	Construction	Impelleur	Longueur du Cordon	Solides Pompés
RSE50M	1/2	115	1	8.0	5700	18'	Fonte	Fonte	20'	2"
RSE50W	1/2	115	1	8.0	5700	18'	Fonte	Fonte	20'	2"



Pour les parts ou l'aide, téléphonez au Service de clientèle de ECO-FLO 1-877 326-3561

## INSTALLATION

 **AVERTISSEMENT** Ne travaillez pas sur la pompe jusqu'à la puissance est débranchée.

 **AVERTISSEMENT** Ne coupez la broche de terre ou utilisez un adaptateur approprié.


N'utilisez pas une rallonge.

Le cordon d'alimentation de la pompe doit être connectée à une ligne de terre fondue séparément avec une capacité minimum de 15 ampères. Il peut être connecté à la non-coupe-fusible aux ampères recommandées.

1. Avant d'installer ou de réparer cette pompe, soyez sûr que la source de puissance de la pompe est déconnectée.
2. L'installation et le câblage électrique doivent respecter à l'état et aux codes locaux et doivent être remplis avant d'amorcer la pompe. Vérifiez les organismes communautaires appropriés, ou contactez les professionnels locaux électriques et de pompes.
3. Appelez un électricien en cas de doute. La pompe doit être connectée à un disjoncteur séparé de 15 ampères ou un bloc de fusible de 15 ampères.

Notez que brancher dans les prises existantes peut entraîner une baisse de voltage au moteur. Cela pourrait causer des fusibles grillés, le déclenchement de surcharge du moteur ou le brûlé du moteur.

4. Une mise à la terre permanente de la pompe à la barre de terre sur le panneau de service est obligatoire. Ces pompes de puisard sont livrés avec un conducteur de terre et une fiche de branchement de type de terre. Ne branchez pas la pompe sur le bloc de puissance jusqu'à ce qu'il met à la terre en permanence. Pour une sécurité maximale, branchez la pompe sur un circuit équipé d'un dispositif de coupure lors de positionner le fil de terre de la pompe.
5. Le voltage de la puissance doit correspondre au voltage de la pompe.
6. Avant d'installer la pompe, nettoyez le bassin de puisard de l'eau, de débris ou de sédiments.

 **AVERTISSEMENT** Puisard doit être ventilée conformément aux codes de plomberie locaux. Ces pompes de puisard ne sont pas conçus pour et NE PEUVENT PAS être installés dans des endroits classés comme dangereux.

7. Le suivant peut causer des blessures et / ou des dommages à la pompe et annulera la garantie.


(a) L'utilisation d'une rallonge.

- (b) Couper la broche de terre ou utiliser un raccord d'adaptateur.
  - (c) Travailler sur la pompe ou l'interrupteur lorsque il est branché.
  - (d) Retirer le carter de moteur, dévisser l'impelleur, ou autrement retirer le sceau de l'impelleur.
  - (e) Faire fonctionner la pompe en continu.
  - (f) Pomper les produits chimiques ou liquides corrosifs.
  - (g) Pomper l'essence ou d'autres liquides inflammables.
8. Tuyau en plastique PVC peut être installé dans la tuy auterie de sortie. Le tuyau de vidange, en acier galvanisé ou tuyau de cuivre peut être utilisé si on le souhaite. Toute la tuyauterie doit être propre et exempt de toute matière étrangère pour éviter le colmatage.
  9. La pompe sera insuffisante si des liquides de suspension contiennent des particules solides plus de 2".

## RACCORDEMENT DE FIL ELECTRIQUE

 **AVERTISSEMENT** Vérifiez que le voltage et la fréquence de la pompe illustrée sur la plaque signalétique correspond à ceux disponibles sur le réseau. L'installateur doit s'assurer que le système électrique est mis à la terre conformément au code.

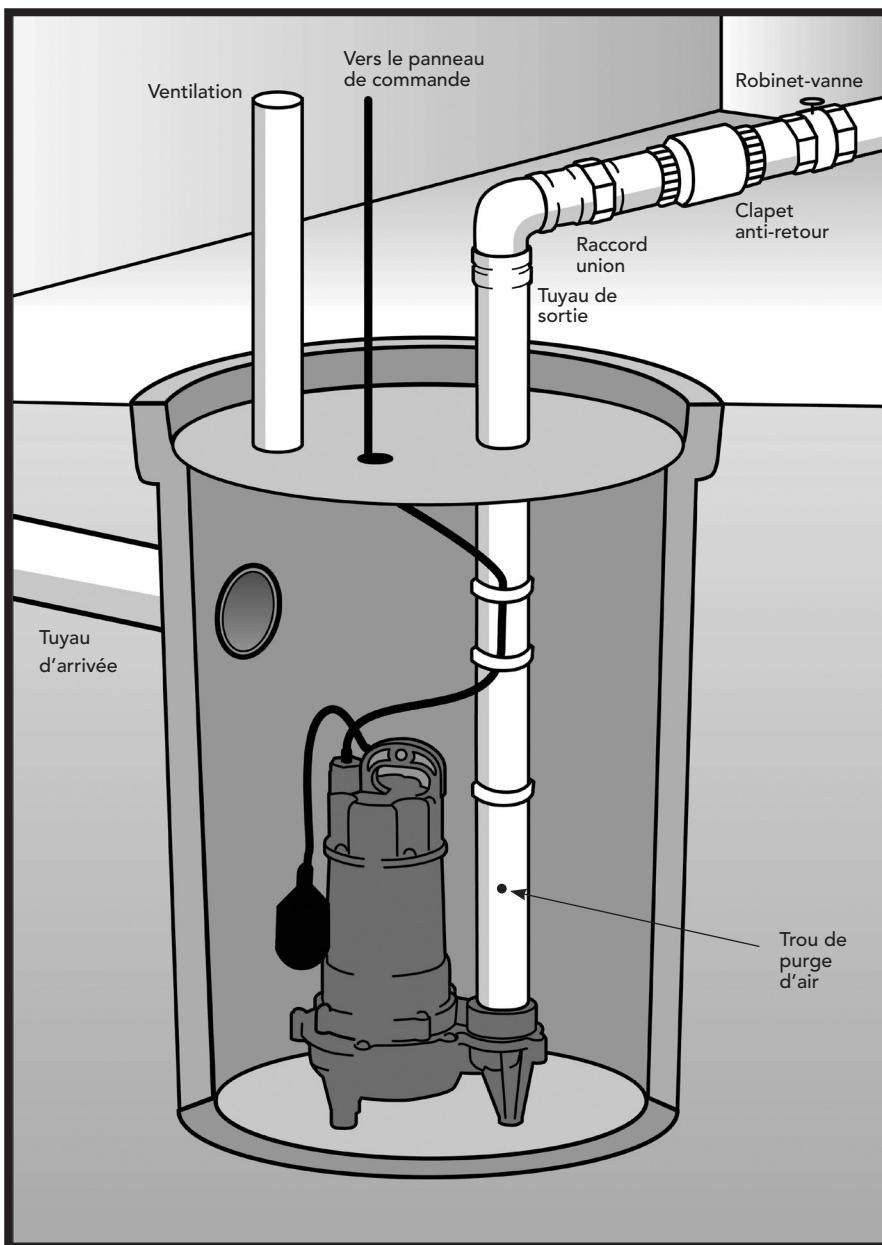
- Pour une utilisation de porte de sortie, il est nécessaire d'utiliser un câble avec une longueur d'au moins 8'. La fiche et la connexion doivent être protégés contre les projections d'eau. Avant d'utiliser la pompe, inspectez visuellement toujours ( surtout le câble de puissance et la fiche)
- N'utilisez pas la pompe si elle est endommagée
- Si la pompe est endommagé, faites-le examiner par un centre de service agréé.
- Assurez-vous que les connexions électriques sont protégés contre les inondations. Protégez la fiche et le câble de puissance des bords chauds ou forts.

 **AVERTISSEMENT** Le câble de puissance doit être remplacé par du personnel qualifié. Mise à la terre: La fiche du câble de puissance a un double contact de terre, de sorte que la terre peut être réalisée simplement en insérant la fiche.

## PROTECTION DE SURCHARGE

Cette série de pompe est doté d'un interrupteur de protection thermique. La pompe arrête en cas d'une condition de surcharge. Le moteur redémarre automatiquement après qu'il ait refroidi. Si elle ne démarre pas automatiquement, débranchez la pompe et rebranchez-le.

## INSTALLATION



Pour un fonctionnement automatique, la pompe doit être branchée ou câblée à distance sur un interrupteur à flotteur ou un régulateur de niveau de liquide. Les instructions d'installation accompagnant cet interrupteur ou contrôleur doivent servir de référence pour l'installation.

La pompe tournera en permanence si elle est branchée directement sur une prise d'alimentation secteur. Il faut faire attention alors à ce que la pompe ne tourne pas si le puisard est à sec.

La pompe doit être installée dans un bassin étanche à l'air, qui fasse au moins 61 cm de diamètre et 91,5 cm de profondeur et soit ventilé en conformité avec les normes locales de plomberie.

La pompe doit être posée sur une surface dure et plane. Il ne faut jamais la placer directement sur des surfaces argileuses, en terre battue ou avec des graviers.

La pompe peut être installée avec un tuyau en ABS, PCV, polyéthylène ou acier galvanisé. Des adaptateurs adéquats sont nécessaires pour brancher un tuyau en plastique sur la pompe.

Placez toujours un raccord-union dans la conduite de sortie, juste au-dessus du puisard, pour permettre un enlèvement facile de la pompe en cas de nettoyage ou de réparation.

Un clapet anti-retour doit être inséré dans la conduite de sortie pour éviter un écoulement inverse de liquide dans le bassin. Ce clapet doit être un modèle pour débit continu qui laisse aisément passer des matières solides.

**ATTENTION :** Pour optimiser la performance du clapet anti-retour quand des matières solides sont présentes, installez-le en position horizontale ou selon un angle inférieur à 45°. N'installez pas de clapet anti-retour en position verticale car des solides pourraient se déposer dedans et empêcher son ouverture au démarrage.

Quand un clapet anti-retour est utilisé, percez un trou de purge de diamètre 0,5 mm dans le tuyau de sortie. Ce trou doit être situé sous la ligne de sol, entre la sortie de pompe et le clapet anti-retour. S'il n'y avait pas un tel trou de purge, la pompe pourrait se désamorcer par une poche d'air et ne plus pomper d'eau tout en tournant.

Un robinet-valve doit suivre le clapet anti-retour pour permettre un nettoyage périodique du clapet et le démontage de la pompe.

Le reste de la conduite de sortie doit être le plus court possible avec un minimum de coudes pour minimiser la perte de charge due à la friction. Ne diminuez pas les tailles en sortie en-dessous de 60 cm.

Les applications pour eaux usées et effluents liquides nécessiteront une ventilation de carter séparée. Un raccordement est prévu en haut du carter ou du couvercle, qui doit être relié par tuyau à une ventilation de bâtiment existante ou prolongé à l'extérieur avec sa propre colonne montante.

**Pour les parts ou l'aide, téléphonez au Service de clientèle de ECO-FLO 1-877 326-3561**

## DÉPANNAGE (Attention: couper la puissance de la pompe)

PROBLEMES	CAUSES/SOLUTIONS POSSIBLES
LA POMPE NE MARCHE PAS ET FAIT UN BRUIT DE BOURDONNEMENT	<ul style="list-style-type: none"> <li>• Le disjoncteur de ligne est éteint, ou fusible est grillé ou en vrac</li> <li>• Le niveau d'eau dans le puisard n'a pas atteint le niveau liant comme indiqué dans le dessin d'installation.</li> <li>• Le cordon de la pompe ne fait pas de contacts dans le réceptacle.</li> <li>• Le flotteur est coincé. Il devrait fonctionner librement dans le bassin.</li> <li>• Si tout de dessus est OK, et puis, le moteur pourrait être défectueux.</li> </ul>
LA POMPE MARCHE MAIS NE FOURNIT PAS D'EAU	<ul style="list-style-type: none"> <li>• Vérifiez si le clapet est installé à l'envers. La flèche sur la vanne doit pointer en direction de l'écoulement</li> <li>• La soupape d'arrêt de décharge (si utilisée) peut être fermée.</li> <li>• L'impelleur ou les ouvertures de volute sont totalement ou partiellement obstrués Retirez la pompe et nettoyez.</li> <li>• La pompe est verrouillée à air. Démarrez et arrêtez plusieurs fois par brancher et débrancher le cordon. Vérifiez le venteau bouché dans la boîte de pompe.</li> <li>• Les trous d'entrée dans la base de la pompe sont bouchés. Retirez la pompe et nettoyez les ouvertures.</li> <li>• La distance de pompage vertical est trop élevée. Réduisez la distance ou changez des raccords de décharge de la pompe.</li> </ul>
LA POMPE MARCHE ET POMPE DU PUISARD, MAIS N'ARRETE PAS	<ul style="list-style-type: none"> <li>• Le flotteur est coincé en position vers le haut. Assurez-vous que le flotteur fonctionne librement dans le bassin.</li> <li>• l'interrupteur à flotteur défectueux. Remplacez l'interrupteur à flotteur.</li> </ul>
LA POMPE MARCHE MAIS FOURNIT SEULEMENT UNE PETITE QUANTITE D'EAU	<ul style="list-style-type: none"> <li>• La pompe est verrouillée à air. Démarrez et arrêtez plusieurs fois par brancher et débrancher le cordon. Vérifiez le venteau bouché dans la boîte de pompe.</li> <li>• La distance de pompage vertical est trop élevée. Réduisez la distance ou changez des raccords de décharge de la pompe. Les trous d'entrée dans la base de la pompe sont bouchés. Retirez la pompe et nettoyez la passoire et les ouvertures.</li> <li>• L'impelleur ou les ouvertures de volute sont totalement ou partiellement obstrués Retirez la pompe et nettoyez.</li> <li>• L'impelleur de la pompe est partiellement bouchée, provoquant le moteur à course lente et la surcharge. Retirez la pompe et nettoyez.</li> </ul>
LE FUSIBLE SAUTE OU LE DISJONCTEUR DEBRANCHE QUAND LA POMPE COMMENCE	<ul style="list-style-type: none"> <li>• L'impelleur de la pompe est partiellement bouchée, provoquant le moteur à course lente et la surcharge. Retirez la pompe et nettoyez.</li> <li>• Le stator du moteur peut être défectueux.</li> <li>• Fusesizeorcircuit breakermaybetoosmall.(mustbe15 amps).</li> <li>• L'impelleur ou les ouvertures de volute sont totalement ou partiellement obstrués Retirez la pompe et nettoyez.</li> </ul>
LA MOTEUR MARCHE POUR UN TEMPS COURT, ET PUIS ARRETE	<ul style="list-style-type: none"> <li>• Inletholesinpumpbaseareclogged.Removepumpandcleanthe openings.</li> <li>• L'impelleur de la pompe est partiellement bouchée, provoquant le moteur à course lente et la surcharge. Retirez la pompe et nettoyez.</li> <li>• Le stator du moteur peut être défectueux.</li> <li>• L'impelleur ou les ouvertures de volute sont totalement ou partiellement obstrus. Retirez la pompe et nettoyez. Nettoyez la passoire si l'une est installée aussi.</li> </ul>

### PRECAUTIONS ELECTRIQUES



#### ADVERTISSEMENT

Avant de réparer une pompe, coupez le disjoncteur de puissance principale et puis débranchez la pompe toujours. Assurez-vous que vous n'êtes pas debout dans l'eau et portez des chaussures à semelle de protection isolés, dans des conditions inondées. Contactez votre compagnie d'électricité locale ou un électricien agréé qualifié pour déconnecter le service électrique avant de pomper le retrait.

Pour les parts ou l'aid, téléphonez au Service de clientele de ECO-FLO 1-877 326-3561



# GARANTIE

## Conservez la facture d'achat d'origine pour la garantie d'admissibilité

### La Garantie Limitée

Le fabricant garantit à l'acheteur original ( «Acheteur» ou «Vous» ) que ses produits sont exempts de défauts de matériaux et de fabrication pour une période de vingt-quatre (24) mois à compter de la date de l'achat par le consommateur. Si, dans les vingt-quatre (24) mois à compter de l'achat au détail original, tout produit s'avère défectueux, il doit être réparé ou remplacé, au choix du fabricant, dépend des modalités et conditions énoncées dans les présentes. Notez que cette garantie limitée s'applique aux défauts de fabrication seulement et non à l'usure normale. Tous les appareils mécaniques ont besoin de pièces et de service périodiques pour marcher le puit. Cette garantie limitée ne couvre pas les réparations quand l'usure normale a épuisé la durée d'une partie ou de l'équipement.

L'étiquette facture d'achat et la garantie du produit d'origine des informations sont nécessaires pour déterminer l'admissibilité garantie. L'admissibilité est basée sur la date d'achat ou d'un produit d'origine - pas la date de remplacement sous la garantie. La garantie est limitée à la réparation ou le remplacement du produit acheté d'origine seulement, pas le produit de remplacement (c'est à dire le remplacement d'une garantie autorisé par achat).

L'acheteur paie tout retrait, l'installation, la main-d'œuvre, le transport et les frais accessoires.

Les réclamations faites sous la garantie seront faites en retournant le produit au magasin de détail où il a été acheté ou à l'usine immédiatement après la découverte ou tout défaut allégué. Le fabricant prendra alors les mesures correctives aussi rapidement qu'il est raisonnablement possible. Aucune demande de service ne sera acceptée si elle est reçue plus de 30 jours après l'expiration de la garantie. La garantie n'est pas transférable et ne s'applique pas aux produits utilisés dans des applications commerciales / de location.

### Les termes et les conditions généraux; Les limitations de recours

Vous devez payer tous les travaux et les charges nécessaires au remplacement du produit couvert par cette garantie.

Cette garantie ne s'applique pas à ce qui suit: (1) les actes de Dieu; (2) les produits qui, dans le seul jugement de fabricant, ont fait l'objet de négligence, d'abus, d'un accident, une mauvaise utilisation, l'altération ou la modification; (3) les défaillances dues à une mauvaise installation, l'exploitation, l'entretien ou le stockage; (4) l'application, l'utilisation, ou le service atypique ou non approuvé; (5) les défaillances causées par la corrosion, la rouille ou d'autres matières étrangères dans le système, ou le fonctionnement à des pressions supérieures à la limite maximale recommandée.

Cette garantie définit la seule obligation du fabricant et le recours exclusif de l'acheteur des produits défectueux.

Le fabricant ne peut être tenu responsable des dommages indirects, accessoires, ou continent que ce soit. Les précédentes garanties limitée sont exclusives et au lieu de toutes les autres garanties expresses et implicites, y compris mais non limité aux garanties implicites de qualité marchande et d'adéquation à un usage particulier. Les précédentes garanties limitée ne doivent pas s'étendre au-delà de la durée prévue aux présentes.

Certains états ne permettent pas l'exclusion ou la limitation des dommages accessoires ou consécutifs ou les limitations limitations sur la durée d'une garantie implicite, de sorte que les limitations ou les exclusions ci-dessus peuvent ne pas vous concerner. Cette garantie vous donne des droits légaux spécifiques et vous pouvez également avoir d'autres droits qui varient d'un État à l'autre.



1899 Cottage Street, Ashland, Ohio 44805

Téléphonez: 1-877-326-3561

Fax: 1-877-326-1994

[www.ecofloproducts.com](http://www.ecofloproducts.com)





# Manual del usuario

# RSE Serie

# Hierro fundido bombas

# de aguas residuales



## TABLA DE CONTENIDO

Seguridad general . . . . .	16
Especificaciones. . . . .	17
Instalación. . . . .	18 - 19
Solución de problemas . . . . .	20
Garantía. . . . .	21



# Antes de empezar

Una bomba de sumidero es un dispositivo eléctrico diseñado para funcionar en ambientes húmedos inherentemente.

## SIEMPRE USE EXTREMA PRECAUCION

Al instalar o mantener este producto!


**Necesita ayuda:** Llame a 1-877-326-3561 para asistencia;


No regrese a la tienda


### SEGURIDAD GENERAL


**Las etiquetas de seguridad importantes**  
**Instrucciones de seguridad** *Lea y siga cuidadosamente todas las instrucciones de seguridad en este manual y en la bomba.*

GUARDE ESTAS INSTRUCCIONES - Este manual contiene instrucciones importantes que deben seguirse durante la instalación, operación y mantenimiento del producto. Guarde este manual para referencia en el futuro.

 Este es el símbolo de alerta de seguridad. Cuando vea este símbolo en su bomba o en este manual, busque una de las siguientes palabras de señal y esté alerta a la posibilidad de lesiones personales!


 **PELIGRO** indica un peligro que, si no se evita, provocará la muerte o lesiones graves.

 **ADVERTENCIA** indica un peligro que, si no se evita, podría causar la muerte o lesiones graves.

 **PRECAUCION** indica un riesgo que, si no puede evitarse, puede provocar lesiones leves o moderadas.

**AVISO** indica prácticas no relacionadas con lesiones personales. Mantenga las etiquetas de seguridad en buenas condiciones. Reemplazar las etiquetas de seguridad faltantes o dañados

#### Seguridad General

 **PRECAUCION** Riesgo de quemaduras. Notoque un motor en funcionamiento. Los motores son defirmado para funcionar a altas temperaturas. Para evitar quemaduras al reparar la bomba, deje que se enfríe durante 20 minutos después de apagado antes de manejar.


No permita que la bomba o cualquier componente del sistema se congelen.

Para ello, se anulará la garantía.

Bombee agua solamente con esta bomba.

Inspeccione periódicamente la bomba y los componentes del sistema.

Use gafas de seguridad en todo momento cuando trabaje con bombas.

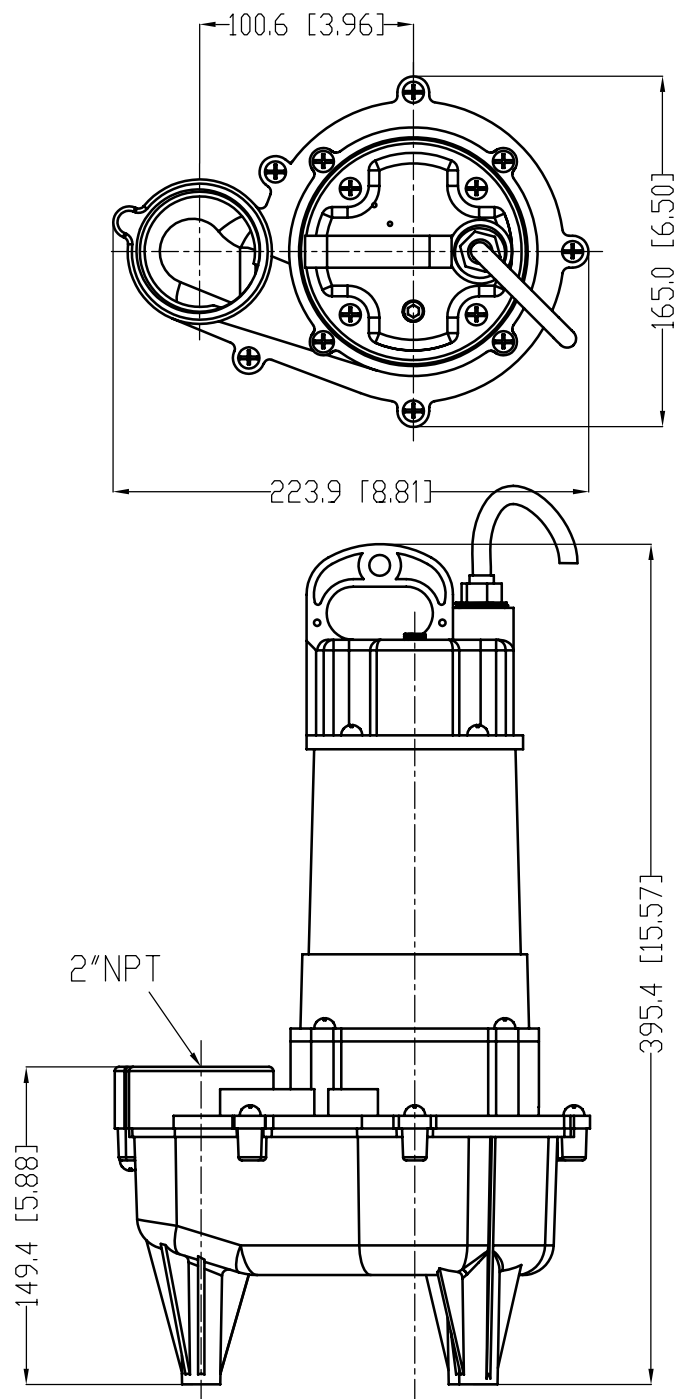
 **ADVERTENCIA** Riesgo de explosión. Cuerpo de la bomba puede explotar si se utiliza como una bomba de refuerzo.

## APLICACIONES

Ideal para baños en subsuelos e instalaciones de lavandería, y para su empleo en obras en construcción

## ESPECIFICACIONES Y RENDIMIENTO

Modelo	HP	Volt	Ph	Amps	Capacidad (GPH at 0')	Max Cabeza	Construcción	Impulsor	Longitud de cable	Sólidos bombeados
RSE50M	1/2	115	1	8.0	5700	18'	Hierro fundido	Hierro fundido	20'	2"
RSE50W	1/2	115	1	8.0	5700	18'	Hierro fundido	Hierro fundido	20'	2"



Para piezas o asistencia, llame a ECO-FLO Servicio al Cliente al 1-877 326-3561

## INSTALACIÓN

**ADVERTENCIA** No trabaje en la bomba hasta que la alimentación se desconecta. No corte la clavija de tierra o utilice un adaptador apropiado.

**ADVERTENCIA** No utilice un cable de extensión. El cable de alimentación de la bomba debe estar conectada a una línea a tierra fundada por separado con una capacidad mínima de 15 amperios. Se puede conectar a la no fusible en los amperios recomendadas.

1. Antes de instalar o dar servicio a esta bomba, asegúrese de fuente de alimentación de la bomba se desconecta.
2. La instalación y el cableado eléctrico deben cumplir con los códigos estatales y locales y deben ser completado antes de cebar la bomba. Compruebe agencias comunitarias apropiadas, o póngase en contacto con profesionales de la electricidad y de la bomba de locales.
3. Llame a un electricista en caso de duda. La bomba debe estar conectado a un interruptor de circuito de 15 amperios por separado o bloque de fusibles de 15 amp. Tenga en cuenta que conectar en los enchufes existentes puede causar baja tensión en el motor. Esto podría hacer que los fusibles quemados, disparo de sobrecarga del motor o motor quemado.
4. Una conexión a tierra permanente de la bomba a la barra de puesta a tierra en el panel de servicio es obligatoria. Estas bombas de sumidero vienen con un conductor de puesta a tierra y un enchufe con toma de tierra. No conecte la bomba a una fuente de alimentación conectada a tierra hasta que de forma permanente. Para una máxima seguridad, conecte la bomba a un circuito equipado con un dispositivo de interruptor de falla al colocar el alambre de puesta a tierra de la bomba.
5. Voltaje de la fuente de alimentación debe coincidir con la tensión de la bomba.
6. Antes de instalar la bomba, claro cuenca del sumidero de agua, escombros o sedimentos.

**ADVERTENCIA** Cuenca de sumidero debe ser ventilado de acuerdo con los códigos de plomería locales. Estas bombas de sumidero no están diseñados para y no se puede instalar en ubicaciones clasificadas como peligrosas.

7. Lo siguiente puede causar lesiones y / o daños graves a la bomba y anulará la garantía.

(a) El uso de un cable de extensión.

- (b) Cortando el conector de tierra o usando un adaptador apropiado.
  - (c) trabajando en la bomba o cambiando mientras está enchufado.
  - (d) Extracción de la carcasa del motor, desenroscando impulsor, o retirar de otro modo el sello impulsor.
  - (e) Ejecución de la bomba de forma continua.
  - (f) los productos químicos de bombeo o líquidos corrosivos.
  - (g) la gasolina de bombeo u otros líquidos inflamables
8. tubería de PVC de plástico puede ser instalado en la tubería de salida. La manguera de drenaje, de acero galvanizado o de tubo de cobre se puede usar si se desea. Toda la tubería debe estar limpia y libre de toda materia extraña para evitar la obstrucción.
  9. Bomba será insuficiente si los líquidos de suspensión contienen partículas sólidas más grandes de 2”.

## CONEXIÓN ELÉCTRICA DE ALAMBRE

Verifique que el voltaje y la frecuencia de la bomba se muestra en la placa de identificación corresponde a los disponibles en la red. El instalador debe asegurarse de que el sistema eléctrico esté conectado a tierra de acuerdo con el código.

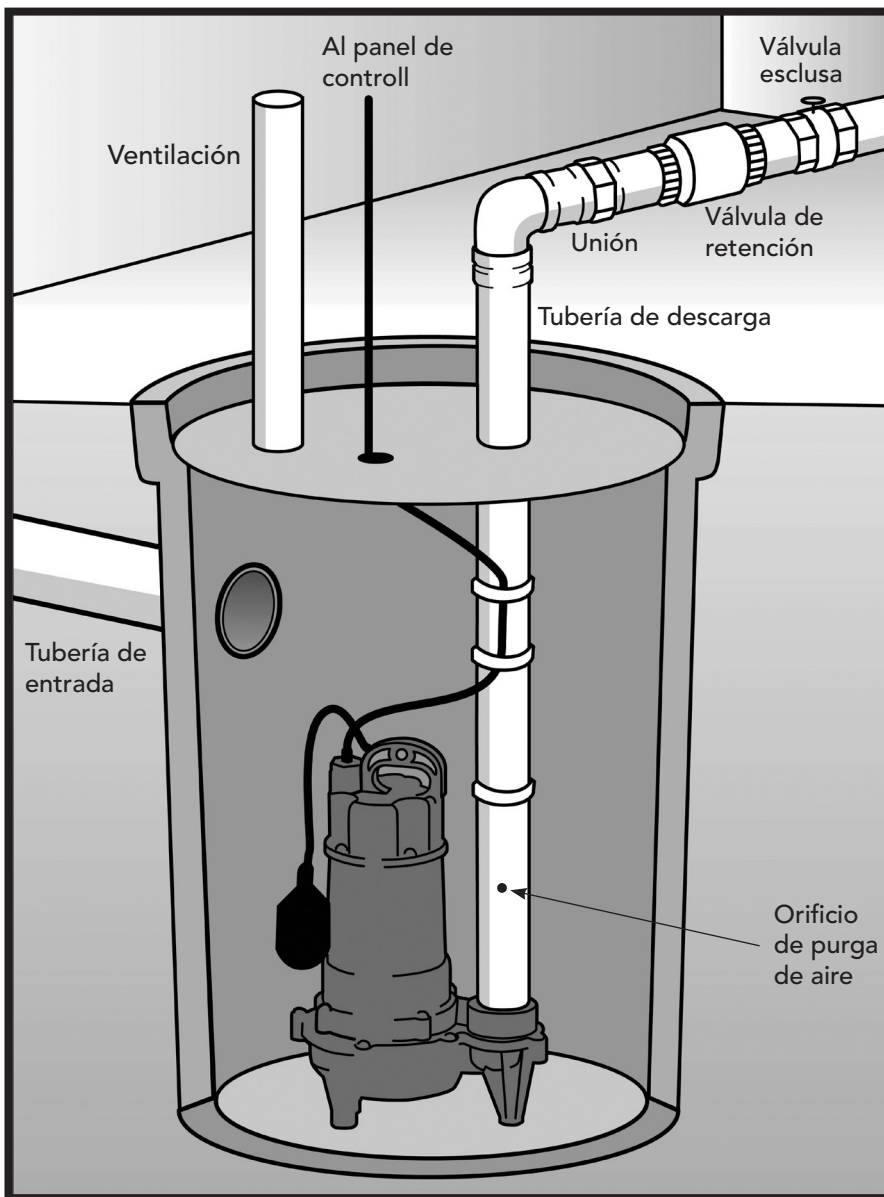
- Para uso en exteriores es necesario utilizar un cable con una longitud de al menos 8'. El enchufe y la conexión deben ser protegidos de las salpicaduras de agua. Antes de utilizar la bomba, siempre inspeccione visualmente (especialmente el cable de alimentación y enchufe)
- No utilice la bomba si está dañado
- Si la bomba está dañada, haga que la revise un centro de servicio autorizado.
- Asegúrese de que las conexiones eléctricas están protegidas de las inundaciones. Proteja el enchufe el cable de alimentación de calor o bordes afilados.

**ADVERTENCIA** El cable de alimentación debe ser sustituido por personal cualificado. Puesta a tierra: El enchufe del cable de alimentación tiene un doble contacto de puesta a tierra, de modo que la conexión a tierra se puede realizar simplemente insertando la clavija.

## PROTECCIÓN DE SOBRECARGA

Esta serie de bombas ha incorporado un interruptor de protección térmica. La bomba se detiene si se produce una condición de sobrecarga. El motor se reinicia automáticamente después de que se haya enfriado. Si no se inicia automáticamente, desconecte la bomba y vuelva a enchufarlo.

## INSTALACIÓN



Para la operación automática, la bomba debe enchufarse o conectarse a un controlador de nivel de líquido o interruptor de flotante remoto. Deben consultarse para la instalación las instrucciones de instalación incluidas con los interruptores y controladores.

La bomba funcionará continuamente si se la enchufa directamente en un tomacorriente. Debe tenerse cuidado para impedir que la bomba funcione en un sumidero seco.

La bomba debe instalarse en un depósito adecuado, hermético al gas, que tenga como mínimo 61 cm (24") de diámetro y 91 cm (36") de profundidad, ventilado de acuerdo con los códigos de plomería locales. La bomba debe colocarse sobre una superficie dura y nivelada. No coloque nunca la bomba directamente sobre superficies arcillosas, de tierra o de grava.

La bomba puede instalarse con tubería de ABS, PVC, polietileno o acero galvanizado. Se necesitan adaptadores adecuados para conectar una tubería plástica a la bomba.

Instale siempre una unión en la línea de descarga, inmediatamente arriba del foso de sumidero, para permitir la extracción fácil de la bomba con fines de limpieza o de reparación.

Debe utilizarse una válvula de retención en la línea de descarga para evitar el flujo de retorno del líquido al depósito. La válvula de retención debe ser una válvula de sección de paso total, que deje pasar sólidos fácilmente.

**PRECAUCIÓN:** para obtener el mejor desempeño de las válvulas de retención cuando deban manejar sólidos, instálelas en posición horizontal o con un ángulo no mayor de 45°. No instale una válvula de retención en posición vertical, ya que los sólidos pueden depositarse en la válvula e impedir el comienzo de la apertura.

Cuando se utilice una válvula de retención, perfore un orificio de alivio de 4.8 mm (3/16") de diámetro en la tubería de descarga. Este orificio debe ubicarse debajo de la línea del piso, entre la descarga de la bomba y la válvula de retención. Si no se proporciona ese orificio de alivio, la bomba podría 'bloquearse por aire' y no bombear agua, aun cuando estuviera en funcionamiento.

A continuación de la válvula de retención debe colocarse una válvula esclusa, para permitir la limpieza periódica de la válvula de retención o la extracción de la bomba.

El tramo restante de la línea de descarga debe ser lo más corto posible y con un mínimo de vueltas, para minimizar la pérdida de carga. No restrinja la descarga a tamaños menores de 61 cm (2").

Las aplicaciones cloacales y de efluentes requerirán una ventilación separada del sumidero. Se proporciona una conexión en el extremo superior del sumidero o cubierta, que debe conectarse por tubería con la ventilación existente del edificio o extenderse hasta el exterior con su propio tubo vertical.

**Para piezas o asistencia, llame a ECO-FLO Servicio al Cliente al 1-877 326-3561**



## LISTA DE VERIFICACIÓN DE PROBLEMAS (Precaución: corte la corriente a la bomba)

PROBLEMAS	SOLUCIONES / CAUSAS POSIBLES
BOMBA NO FUNCIONA Y HACE ZUMBIDO	<ul style="list-style-type: none"> <li>• El disyuntor Línea está apagado, o el fusible está quemado o suelto</li> <li>• El nivel de agua en el sumidero no ha llegado a su vez-en el nivel como se indica en el dibujo de instalación.</li> <li>• El cable de la bomba no hace contacto en el receptáculo.</li> <li>• El flotador está atascado. Debe operar libremente en la cuenca.</li> <li>• Si todo lo anterior están bien, entonces el motor puede estar funcionando mal.</li> </ul>
LA BOMBA FUNCIONA PERO NO ENTREGA AGUA	<ul style="list-style-type: none"> <li>• Compruebe si la válvula de retención está instalada al revés. Flecha en la válvula debe apuntar en la dirección de flujo</li> <li>• La válvula de descarga de cierre (si se utiliza) puede ser cerrada.</li> <li>• aberturas del impulsor o la voluta están totalmente o parcialmente obstruidas. Retire la bomba y limpie.</li> <li>• Bomba tiene aire bloqueado. Iniciar y parar varias veces por conectar y desconectar el cable. Compruebe que el orificio de ventilación está obstruido en el caso de la bomba.</li> <li>• Los orificios de entrada en base de la bomba están obstruidos. Saque la bomba y limpie las aberturas.</li> <li>• Distancia de bombeo vertical es demasiado alto. Reducir la distancia o cambiar ° accesorios de descarga de la bomba.</li> </ul>
BOMBA FUNCIONA Y BOMBAS DE SALIDA DEL COLECTOR, PERO NO SE DETIENE	<ul style="list-style-type: none"> <li>• Flotador está atascado en la posición hacia arriba. Asegúrese flotador opera libremente en la cuenca.</li> <li>• Interruptor de flotador defectuoso. Reemplace el interruptor de flotador.</li> </ul>
BOMBA FUNCIONA PERO SÓLO OFRECE UNA PEQUEÑA CANTIDAD DE AGUA	<ul style="list-style-type: none"> <li>• Bomba tiene aire bloqueado. Iniciar y parar varias veces enchufando y desenchufando el cable. Compruebe que el orificio de ventilación está obstruido en el caso de la bomba.</li> <li>• Distancia de bombeo vertical es demasiado alto. Reducir la distancia o cambiar ° accesorio de descarga de la bomba. Los orificios de entrada en base de la bomba están obstruidos. Saque la bomba y limpie el colador y aberturas.</li> <li>• aberturas del impulsor o la voluta están totalmente o parcialmente obstruidas. Retire la bomba y limpie.</li> <li>• impulsor de la bomba está parcialmente obstruido, provocando que el motor funcione lento y sobrecarga. Retire la bomba y limpie.</li> </ul>
El fusible se funde o disyuntor ADPIC CUANDO COMIENZA LA BOMBA	<ul style="list-style-type: none"> <li>• impulsor de la bomba está obstruido parcialmente ocasionando que el motor funcione lento y sobrecarga. Retire la bomba y limpie.</li> <li>• estator del motor puede estar defectuoso.</li> <li>• Tamaño del fusible o interruptor de circuito puede ser demasiado pequeño. (debe ser de 15 amperios).</li> <li>• El impulsor o la apertura de la voluta están totalmente o parcialmente obstruidas. Retire la bomba y limpie.</li> </ul>
MOTOR FUNCIONA POR POCO TIEMPO, Y PARA DESPUÉS	<ul style="list-style-type: none"> <li>• Los orificios de entrada en base de la bomba están obstruidos. Saque la bomba y limpie las aberturas.</li> <li>• impulsor de la bomba está obstruido parcialmente ocasionando que el motor funcione lento y sobrecarga. Retire la bomba y limpie.</li> <li>• estator del motor puede estar defectuoso.</li> <li>• aberturas del impulsor o la voluta están totalmente o parcialmente obstruidas. Retire la bomba y limpie. También limpie el colador si hay uno instalado.</li> </ul>

## PRECAUCIONES ELÉCTRICAS



Antes de reparar una bomba, siempre apague el interruptor de alimentación principal y desenchufe la bomba. Asegúrese de que no está de pie en el agua y está usando zapatos de suela de protección con aislamiento, bajo condiciones de inundación. Póngase en contacto con su compañía eléctrica local o un electricista calificado y con licencia para desconectar el servicio eléctrico antes de bombear la eliminación

**Para piezas o asistencia, llame a ECO-FLO Servicio al Cliente al 1-877 326-3561**



# GARANTÍA

## Guarde el recibo original para Garantía de Elegibilidad

### Garantía Limitada

El fabricante garantiza al comprador original ("Comprador" o "Usted") que sus productos están libres de defectos de material y mano de obra durante un periodo de veinticuatro (24) meses desde la fecha de la compra original. Si, dentro de los veinticuatro (24) meses a partir de la compra del consumidor original, cualquiera de los productos demostrara estar defectuoso, el mismo será reparado o reemplazado, a opción del fabricante, sujeto a los términos y condiciones establecidos en este documento. Tenga en cuenta que esta garantía limitada se aplica a la fabricación y no defectos de desgaste normal. Todos los legados mecánicos necesitan periódicamente repuestos y servicio para rendir bien. Esta garantía limitada no cubre la reparación cuando el uso normal haya agotado la vida útil de una pieza concreta del equipo.

La etiqueta de información del recibo de compra y la garantía del producto original, se requieren para determinar la elegibilidad de la garantía. La elegibilidad se basa en la fecha de compra o producto original - no la fecha de la sustitución de la garantía. La garantía está limitada a la reparación o sustitución del producto adquirido original solamente, no producto de reemplazo (es decir, una garantía de sustitución permitido por compra).

El comprador paga todos remoción, instalación, mano de obra, transporte, y gastos imprevistos.

Reclamaciones bajo esta garantía serán efectuados mediante la devolución del producto al punto de venta donde lo adquirió o a la fábrica inmediatamente después del descubrimiento o cualquier supuesto defecto. Fabricante tomará luego la acción correctiva tan pronto como sea razonablemente posible. No se aceptarán solicitudes de servicio si se recibe más de 30 días después del vencimiento de la garantía. La garantía no es transferible y no se aplica a productos usados en aplicaciones comerciales / alquiler.

### Términos y Condiciones Generales; Limitaciones de los Remedios

Usted debe pagar todo el trabajo y cargas necesarias envío para reemplazar el producto cubierto por esta garantía. Esta garantía no se aplica a lo siguiente: (1) los actos de Dios; (2) los productos que, a juicio exclusivo del fabricante, han sido objeto de negligencia, abuso, accidente, mala aplicación, manipulación o alteración; (3) los fallos debidos a la instalación, operación, mantenimiento o almacenamiento; (4) la aplicación atípica o no aprobado, uso o servicio; (5) fallas causadas por corrosión, oxidación u otros elementos extraños en el sistema, o funcionamiento a presión por encima del máximo recomendado.

Esta garantía establece la única obligación del fabricante y el único recurso del comprador por productos defectuosos.

FABRICANTE NO SE HACE RESPONSABLE POR CUALQUIER DAÑO CONSECUENTE, INCIDENTAL O CONTINGENTE. LAS GARANTÍAS ANTERIORES LIMITADA SON EXCLUSIVOS Y EN LUGAR DE TODAS LAS DEMÁS GARANTÍAS IMPLÍCITAS, INCLUYENDO PERO NO LIMITADO A LAS GARANTÍAS DE COMERCIALIZACIÓN Y APTITUD PARA UN PROPÓSITO PARTICULAR. EL PRECEDENTE GARANTÍA NO SE EXTIENDE MÁS ALLÁ DE LA DURACIÓN SE INDICA.

Algunos estados no permiten la exclusión o limitación de daños o limitaciones incidentales o consecuentes en la duración de una garantía implícita, por lo que las limitaciones o exclusiones anteriores no se apliquen a usted. Esta garantía le otorga derechos legales específicos y usted también puede tener otros derechos que varían de estado a estado.



1899 Cottage Street, Ashland, Ohio 44805  
Teléfono: 1-877-326-3561  
Fax: 1-877-326-1994  
www.ecofloproducts.com