

# CUB CART

## **SPECIFICATIONS:**

<b>Model Number:</b>	<b>8449</b>
<b>Part Number:</b>	<b>108449</b>
<b>Load Capacity:</b>	<b>400 lbs.</b>
<b>Load Size:</b>	<b>7 Cubic Feet</b>
<b>Overall Dimensions:</b>	<b>50"L x 28"W x 29"H</b>
<b>Overall Weight:</b>	<b>30 lbs.</b>
<b>Tub Dimensions:</b>	<b>37"L x 27"W x 16"H</b>
<b>Wheels:</b>	<b>8" Wheels with Pneumatic Tires</b>
<b>Instruction Part No.</b>	<b>102964-C</b>

**NOTICE:** Once used, this trailer cannot be returned to the store. If you have a warranty claim, please read and follow Warranty Information directions below.

## **WARRANTY INFORMATION**

CLAM OUTDOORS INC. warrants to the original retail purchaser its product be free from manufacturers defects for (3) years from the date of the original purchase. Clam Outdoors Inc will replace or repair any part found defective within the (3) years time limit. All parts must be returned to Clam Outdoors Inc. Before returning any parts, you must first call or write and acquire a return authorization. All returns must be returned postage-prepaid and include the original cash register receipt (date and purchase price).

### **To submit a warranty claim request, please use one of the following methods:**

- Customer Service Hrs: 9am to 4pm, Monday – Friday Central Standard Time
- Clam Corporation  
Attn: Customer Service – Warranty Department  
12135 Brockton Lane  
Rogers, MN 55369
- Phone: 763-231-4120
- Fax: 763-231-4121
- Email: [customerservice@clamcorp.com](mailto:customerservice@clamcorp.com)
- Website: [Clamoutdoors.com](http://Clamoutdoors.com)

The warranty does not apply to any Polar Trailer which has been subjected to an accident, improper installation, modification, adjustment, repair, misuse, misapplication, neglect, including but not limited to improper maintenance, or use of unauthorized parts or attachments.

## **LIMITATION OF LIABILITY**

It is expressly understood that Clam Outdoors Inc. liability for its products, whether due to breach of warranty, negligence, strict liability, or otherwise, is limited to the repair of the product as stated above. Clam Outdoor Inc. is not liable for any injury, loss, damage, or expense, whether direct or consequential, including but not limited to loss of use, income, profit, or damage to material arising in connection with the sale, installation, use of, inability to use, or the repair or replacement of Clam Outdoor Inc. products. Clam Outdoor Inc. reserves the right to make alterations or modifications in its products at any time, which in its opinion, may improve the performance and efficiency of the product. It shall not be obligated to make such alterations or modifications to products already in service.

**WARNING:**

- **THIS PRODUCT IS INTENDED FOR USE IN LAWN CARE AND HOME APPLICATIONS.**
- **DO NOT TOW BEHIND A VEHICLE OR USE ON A HIGHWAY OR IN ANY HIGH SPEED APPLICATION.**
- **THIS PRODUCT HAS BEEN DESIGNED FOR OFF-ROAD USE ONLY.**

**Transporting Loads Safely**

- Stopping distance increases with speed and weight of load. Travel slowly and allow extra time and distance to stop.
- Excessive load can cause loss of traction and loss of control on slopes. Reduce payload weight when operating on slopes.
- Never allow children or others in or on equipment.
- Do not attach the Utility Cart to any powered vehicle.
- Follow the manufacturer's recommendations for weight limits.
- Do not turn sharply. Use additional caution when turning or operating under adverse surface conditions.

**Keep Riders off Utility Cart**

- Keep riders off of the Utility Cart.
- Riders are subject to injury, such as being struck by objects or being thrown off the attachment during sudden starts, stops and turns.
- Riders obstruct the operator's view, resulting in the Utility Cart being used in an unsafe manner.

## Replacement Parts

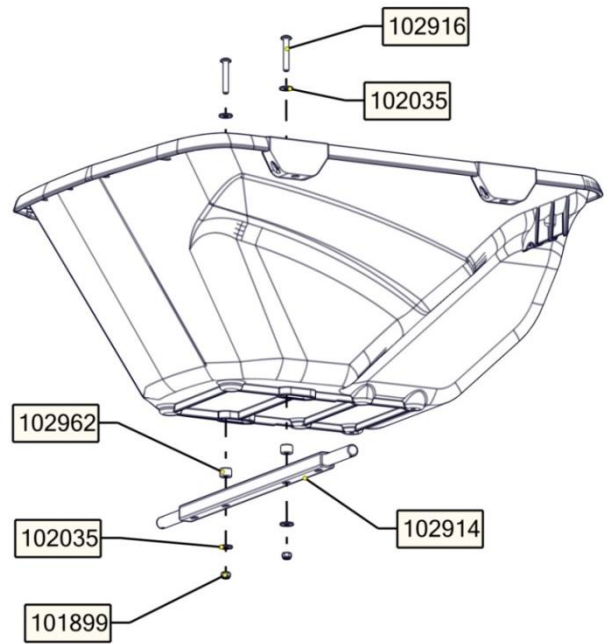
QTY.	PART NO.	DESCRIPTION
1	102929	TUB, SMALL CART
2	102934	ASSY, 8" RIM/TIRE
1	102964	INSTRUCTION, CUB CART
1	102988	KIT, CUB CART
		<b><i>INLCUDES THE FOLLOWING ITEMS</i></b>
1	102944	HANDLE, CART
2	102957	TUBE, HANDLE, BOTTOM
1	102958	TUBE, HANDLE, TOP
1	102914	WELDMENT, AXLE, SMALL CART
1	102913	KIT, HARDWARE
		<b><i>INLCUDES THE FOLLOWING ITEMS</i></b>
2	102362	SCREW, 5/16-18 X 3.00 PTH GR5 CZ
12	102035	WASHER, 5/16 WIDE FLAT
6	101899	NUT, 5/16-18 NYLOCK
2	102916	SCREW, 5/16-18 X 2.25 PTH GR5 CZ
2	102201	SPRING COTTER PIN
4	102607	WASHER, .75 USS SAE STANDARD CZ
2	101896	BOLT, 5/16-18 X 1.00 TH CZ
4	101473	SCREW, 1/ 4-20 X 1.50 PTH GR2
4	101163	NUT, 1/4-20 NYLOCK
2	102962	WASHER, PLASTIC, 5/16"
2	102915	TUBE, PLASTIC FLAT

## STEP 1



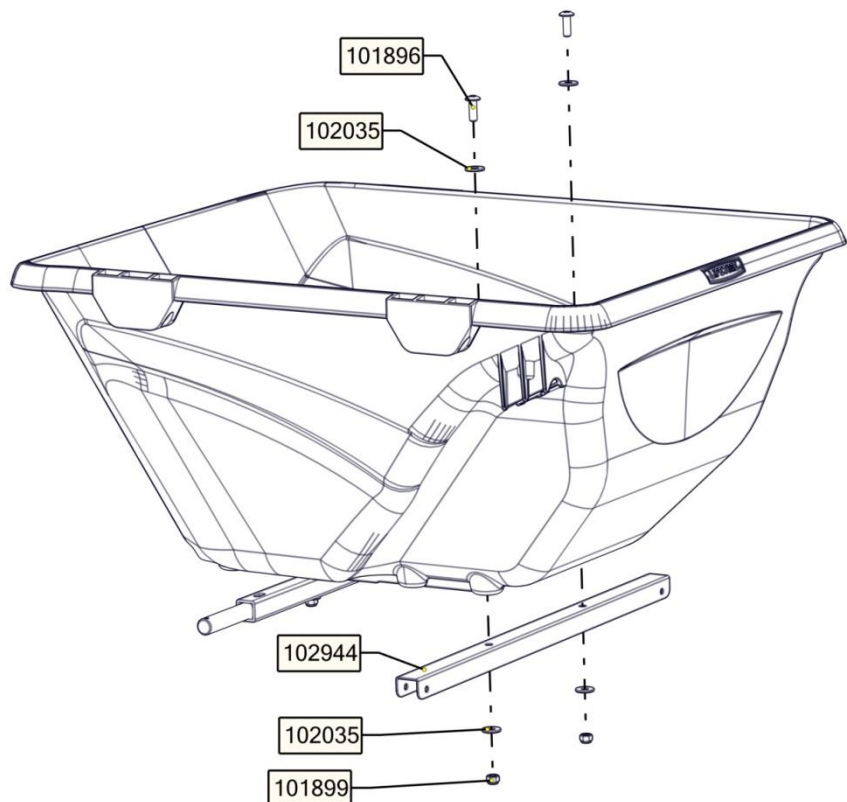
LEAVE ALL FASTENERS SLIGHTLY LOOSE TO AID IN THE ASSEMBLY PROCESS

1. ASSEMBLE AXLE AS SHOWN INTO THE FRONT TWO PRE DRILLED HOLE PATTERN.



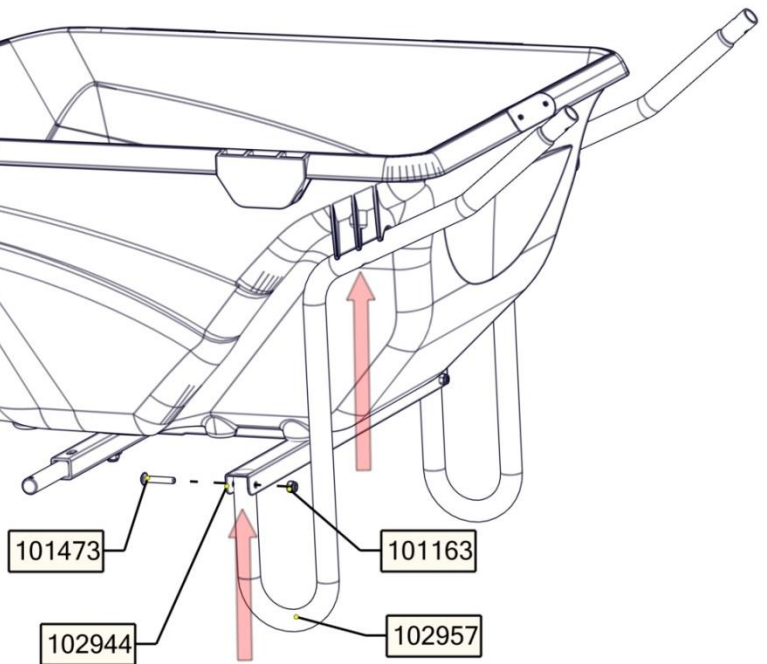
## STEP 2

1. ASSEMBLE HANDLE BRACKET AS SHOWN INTO THE REAR TWO PRE DRILLED HOLE PATTERN.



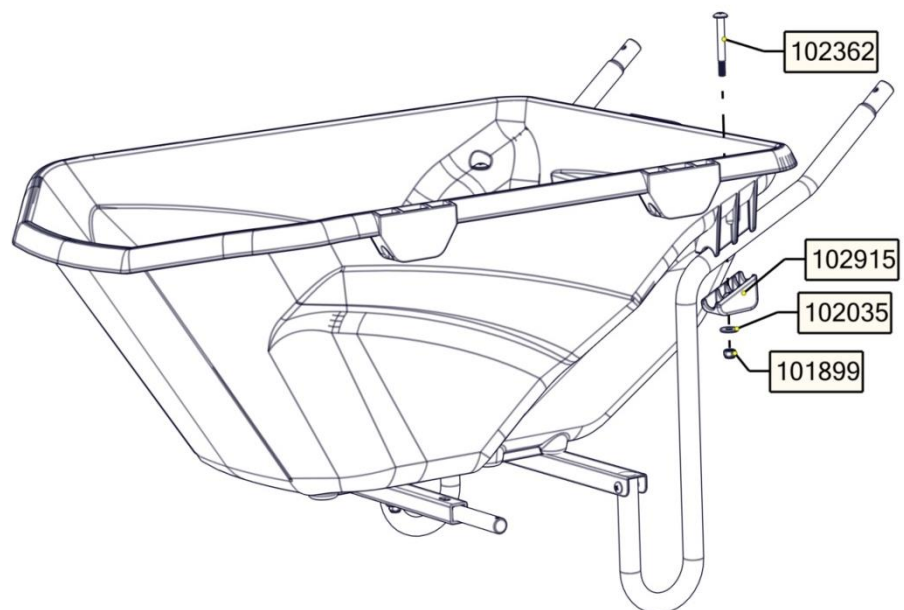
### STEP 3

1. POSITION 102957 (BOTTOM HANDLE) IN PLACE AS SHOWN AND ASSEMBLE TO 102944 (HANDLE BRACKET) AS SHOWN. FOLLOW SAME PROCESS FOR OTHER SIDE.



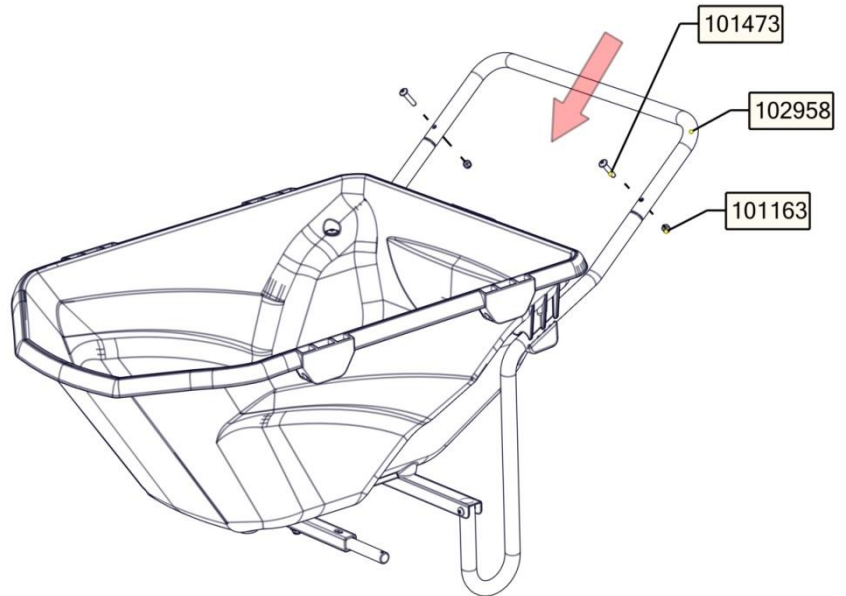
### STEP 4

1. COMPLETE ASSEMBLY BY ATTACHING 102957 (BOTTOM HANDLE) TO THE CART TUB AS SHOWN FOLLOW SAME PROCESS FOR OTHER SIDE.



## STEP 5

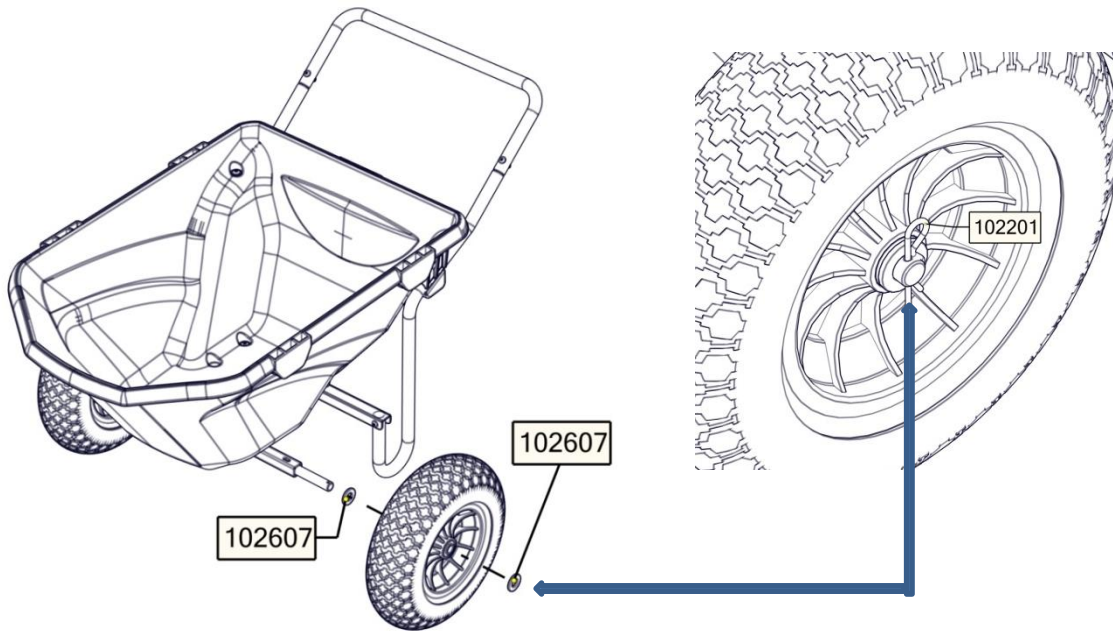
1. PUSH 102958(TOP HANDLE) INTO PLACE OVER BOTTOM HANDLES AND ASSEMBLY AS SHOWN.



BEFORE PROCEEDING TO NEXT STEP SECURELY TIGHTEN ALL FASTNERS

## STEP 6

1. ATTACH WHEELS TO AXLE AS SHOWN AND CLIP 102201(COTTER PIN) THRU HOLE TO LOCK WHEEL IN PLACE.



F

Thank you for purchasing the Cub Cart. Visit our website at [clamoutdoors.com](http://clamoutdoors.com) for other exciting and innovative products.