

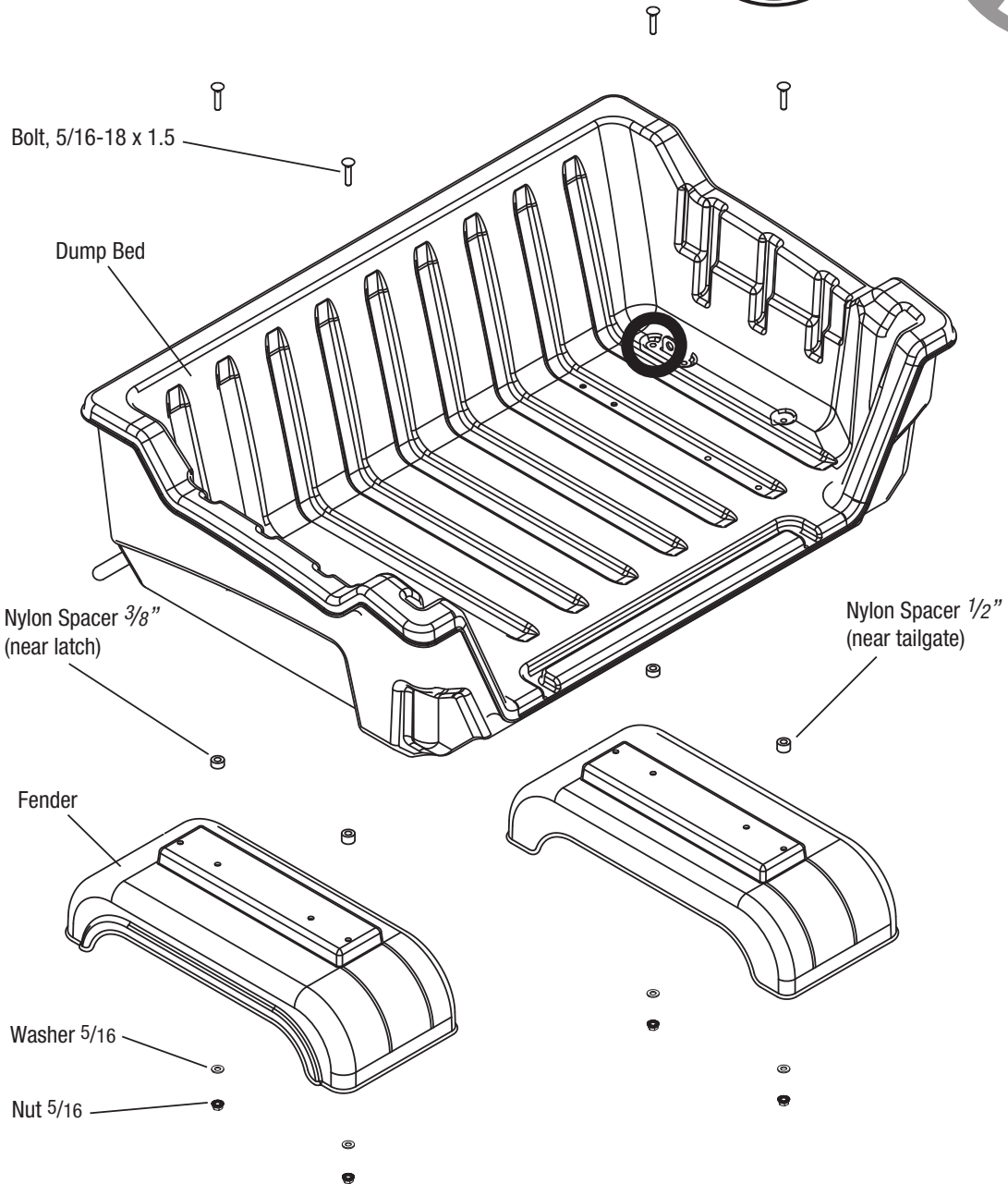
LUTV REAR FENDER KIT (15682)

This kit is **ONLY** used on 2014 and newer LUTVs

As illustrated below, this kit consists of:

10317	Bolt, 5/16"-18 x 1 1/2"	Qty: 4
15733	Nylon spacer 3/4" OD x 3/8" ID x 3/8" (placed near latch assembly)	Qty: 2
15734	Nylon spacer 3/4" OD x 3/8" ID x 1/2" (placed near tailgate)	Qty: 2
2-18303	Rear fender - universal	Qty: 2
9060	Washer 5/16" type A plain SAE	Qty: 4
1263	Nut 5/16" -18 hex WF ZN	Qty: 4

TOOLS REQUIRED*
1/2" Socket and Ratchet
or
1/2" Wrench



Procedure:

- 1** Remove and discard current (2x) 5/16"-18 x 3/4" bolts and nuts located towards the front of cargo bed. (closest to passenger compartment; locations circled on illustration)
- 2** Insert Bolt, 5/16"-18 x 1 1/2" into cargo bed holes. Slide nylon spacer onto bolt (underneath cargo bed)
 - 3/8" spacer placed near front of bed (latch position)
 - 1/2" spacer placed near rear of bed (tailgate position)
 Install fender (underneath cargo bed)
 Slide 5/16" washer onto bolt (underneath cargo bed)
 Attach and tighten 5/16" nut