

HARD TOP ROOF KIT (15911)

This kit is **ONLY** used on 2014 200 series LUTVs

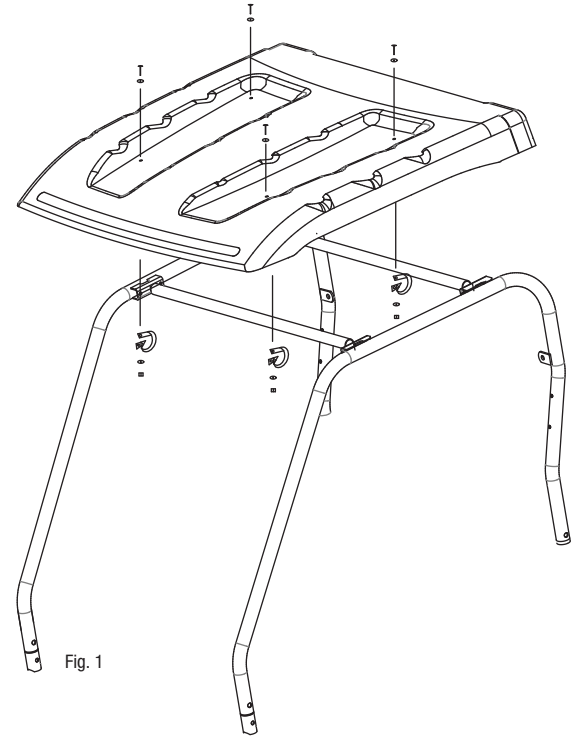


As illustrated below, this kit consists of:

Hard top (not pictured)	Qty: 1
Loop clamps (for 1.5" bars)	Qty: 4
Loop clamps (for 1.25" bars)	Qty: 4
Hex head bolts	Qty: 4
Nyloc hex nuts	Qty: 4
Rubber backed washers	Qty: 4
Flat washers	Qty: 4

TOOLS REQUIRED*

- 7/16" Wrench
- 7/16" Socket and Ratchet



Procedure:

- 1** Overhead bars must be installed prior to installation of the hard top. Ensure that the flat portion of the loop clamp is on the top side of the bars.
- 2** Pre-install the (4) Rubber backed washers onto the (4) Hex head screws so that the metal portion of the washer is against the head of the screw.
- 3** Place the hard top on the overhead bars with the angled face towards the front of the unit as illustrated in figure 1.
- 4** Install (4) pre-assembled screws with rubber washers into the hard top from the top side.
- 5** Select the correct loop clamps for your application, place around the overhead bars and align the loop clamps with each screw and install the (1) flat washer and (1) Nylock Hex nuts at each screw location.
- 6** Ensure that the top is centered and properly located front to rear. Tighten each nut.

