

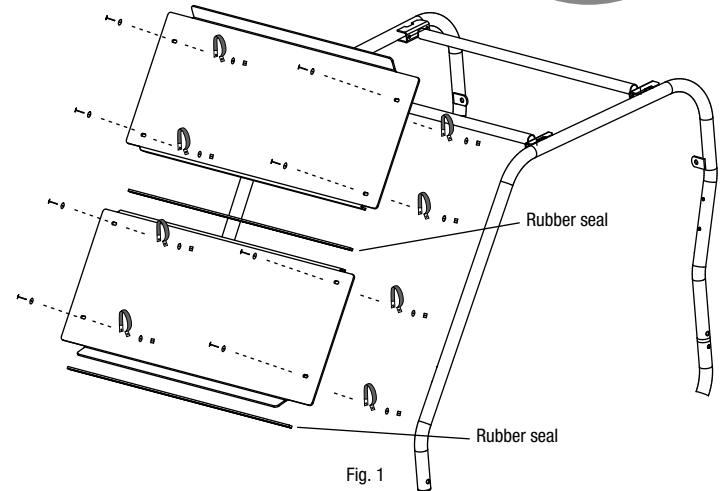
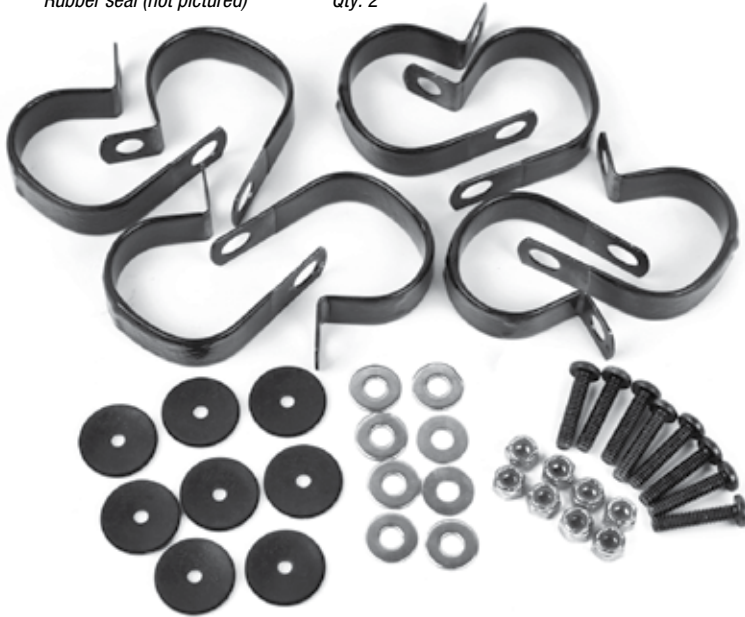
2 PIECE WINDSCREEN KIT (15912)

This kit is **ONLY** used on 2014 200 series LUTVs

As illustrated below, this kit consists of:

Windscreen hijves (not pictured)	Qty: 2
Loop clamps	Qty: 8
Torx head bolts	Qty: 8
Nyloc hex nuts	Qty: 8
Rubber backed washers	Qty: 8
Flat washers	Qty: 8
Rubber seal (not pictured)	Qty: 2

TOOLS REQUIRED*
7/16" Wrench
T30 Torx socket or driver bit



IMPORTANT  **WASH WINDSHIELD WITH WATER ONLY (NO CHEMICALS) & SOFT CLOTH, AND THEN DRY WITH SOFT CLOTH AS NECESSARY.**

Procedure:

- 1 Overhead bars must be installed prior to installation of the windscreen.** Install (4) loop clamps on the driver side and (4) loop clamps on the passenger side of the vehicle. Ensure that the mount holes are facing towards the center of the vehicle and the flat portion is towards the front of the vehicle as shown in figure 1.
- 2** Install the longer adhesive backed seal onto the upper flange of the lower windscreen panel as shown in figures 1 and 2. Install the shorter adhesive backed seal onto the lower flange of the lower windscreen panel as shown in figure 1.
- 3** Pre-Install the (8) Rubber backed washers onto the (8) Torx head screws so that the metal portion of the washer is against the head of the screw.
- 4** Place the windscreen against the overhead bars of the vehicle and align the bottom (2) clamps with the bottom (2) windscreen mounting holes.
- 5** Install (2) pre-assembled screws into the bottom (2) mounting holes of the windscreen.
- 6** Install (1) flat washer and (1) hex nut on each of the mounting screws. **Rubber surface of the washer should be against the windscreen. See figure 2.**
- 7** Repeat steps 4 and 5 for the middle and upper mounting positions on the windscreen.
- 8** Once the windscreen is aligned, snug up the nuts, being careful not to over-tighten.

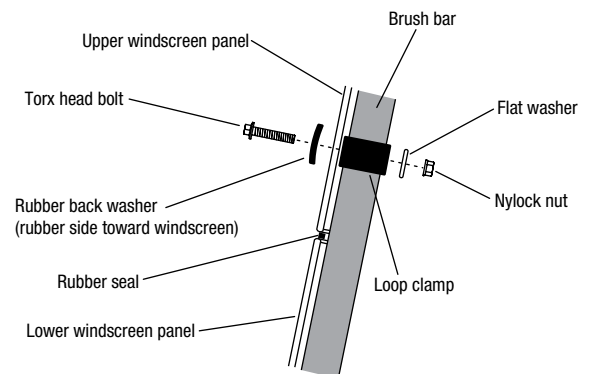


Fig. 2



HARD TOP ROOF KIT (15911)

This kit is **ONLY** used on 2014 200 series LUTVs

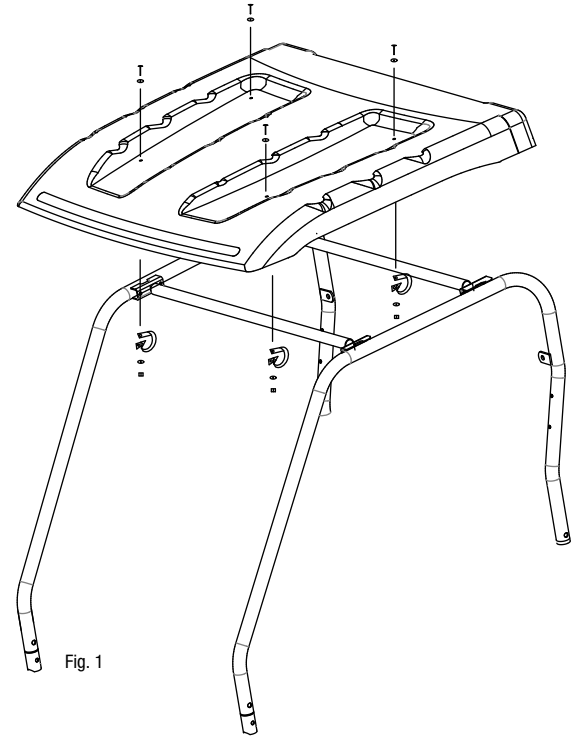


As illustrated below, this kit consists of:

Hard top (not pictured)	Qty: 1
Loop clamps (for 1.5" bars)	Qty: 4
Loop clamps (for 1.25" bars)	Qty: 4
Hex head bolts	Qty: 4
Nyloc hex nuts	Qty: 4
Rubber backed washers	Qty: 4
Flat washers	Qty: 4

TOOLS REQUIRED*

- 7/16" Wrench
- 7/16" Socket and Ratchet



Procedure:

- 1** Overhead bars must be installed prior to installation of the hard top. Ensure that the flat portion of the loop clamp is on the top side of the bars.
- 2** Pre-install the (4) Rubber backed washers onto the (4) Hex head screws so that the metal portion of the washer is against the head of the screw.
- 3** Place the hard top on the overhead bars with the angled face towards the front of the unit as illustrated in figure 1.
- 4** Install (4) pre-assembled screws with rubber washers into the hard top from the top side.
- 5** Select the correct loop clamps for your application, place around the overhead bars and align the loop clamps with each screw and install the (1) flat washer and (1) Nylock Hex nuts at each screw location.
- 6** Ensure that the top is centered and properly located front to rear. Tighten each nut.

