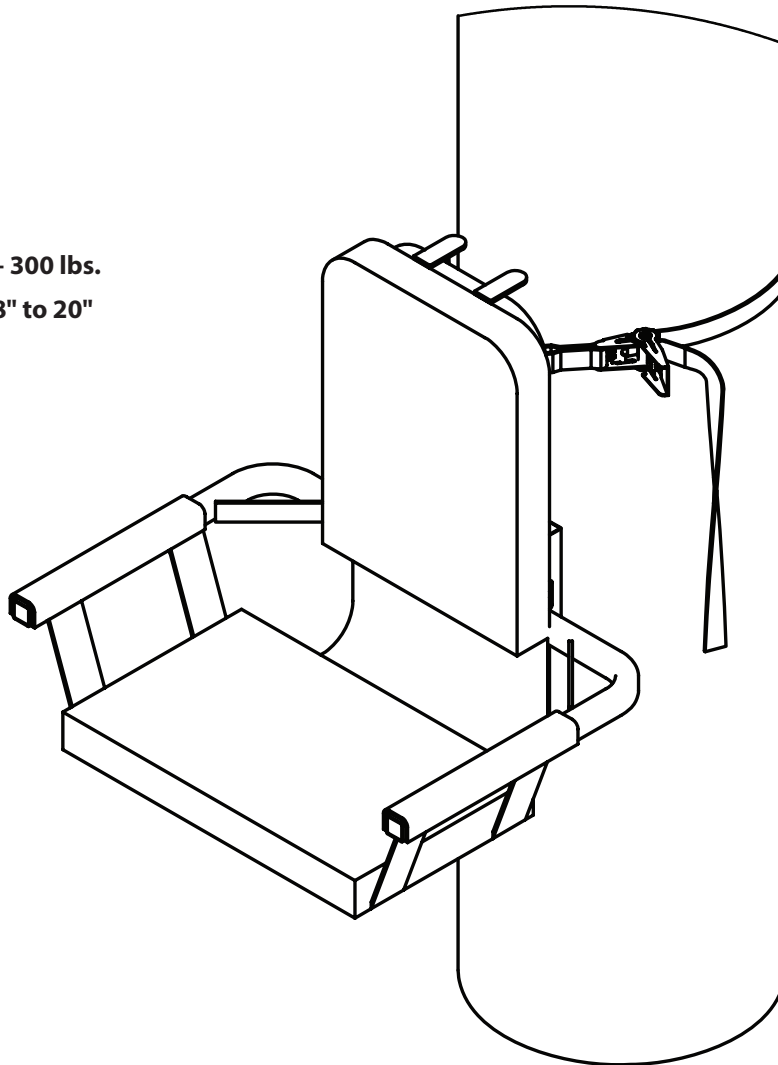




Operator's Manual
RE761
Lounger Tree Seat™

Maximum Field Rating - 300 lbs.
Tree Diameter Range - 8" to 20"



 **WARNING**
FOR GROUND LEVEL USE ONLY!

Get parts online at
www.HuntRiversEdge.com



P/N: OMRE76109
REV2: 03/02/15
© 2015 RETI
All Rights Reserved.

INTRODUCTION

Rivers Edge® products are engineered with you the hunter in mind. We appreciate your purchase of one of our world class tree seats. Follow these few simple instructions and your Lounger Tree Seat will provide you many years of trouble-free pleasure. Instructions should be kept in a safe place and reviewed at least annually.

If for any reason you have a problem with your product, **DO NOT return to the retailer**, contact the Rivers Edge® customer service department at 800-450-EDGE (3343) for assistance.

CONTENTS

Introduction/Warranty	2
Warnings.....	3
Inspection and Maintenance Schedule.....	4
Assembly Instructions	4
Set-Up and Use Instructions.....	5
Parts Breakdown.....	6

WARRANTY

Rivers Edge Treestands, Inc., offers a lifetime warranty to be free from defects in materials and workmanship. This warranty applies to the original owner with a proof of purchase. All items attached to our stands (seat, strap, rope, wood, etc.) that are degradable are warranted for a period of one year. There is no warranty on paint. This warranty applies to products that are not modified, abused or misused in a manner that deviates from the products intended usage. Rivers Edge Treestands offers no other warranty expressed or implied nor is to be held liable for any damage that may result from any defect in a treestand manufactured by them. Warranty work must be sent directly to Rivers Edge Treestands and performed by them. **To obtain warranty service and/or replacement instructions, you must have prior approval from Rivers Edge Treestands before shipping your package to us by calling our customer service department at 800-450-EDGE (3343) or by writing to: Rivers Edge Treestands, Inc., P.O. Box 755, 1690 Elm Street, Cumberland, WI 54829 for a return material authorization number (RMA#).** All items must be shipped prepaid. Rivers Edge Treestands will at no charge, repair or replace, at their discretion, any defective stand which falls under the conditions stated above. Rivers Edge Treestands retains the right to change models, specifications and price without notice.

This equipment has been manufactured under strict quality guidelines. As with any equipment of this type, full understanding of the instructions and its use is mandatory for the safety of its user. Rivers Edge Treestands, Inc., is not responsible for any damages or injuries sustained due to improper use or modification of any of its products, or due to any use which deviates from the products intended usage. The manufacturer also is not responsible for any injuries sustained due to failure to adhere to the instructions for use. Any misunderstanding of its operation should be directed to manufacturer prior to its use.

Owner is responsible to check product field rating and must never exceed maximum weight rating stated. Rivers Edge Treestands, Inc., is not responsible for any malfunction due to normal wear and tear and/or damage caused by improper use, improper maintenance or accidents. This product if used safely as intended, will give you years of trouble free service. We hope you will enjoy the quality of our products for years to come, and have a safe hunt.

For replacement parts, phone 800-450-EDGE (3343) or go online to www.HuntRiversEdge.com.

ALWAYS...

- Be physically fit, mentally alert, and well-rested before using this product.
- Read, understand and follow all warnings and instructions before use and save for future reference.
- Recommended for adult use only.
- Inspect ground seat for missing parts, all hardware condition, and damage before every application; replace if necessary.
- Remove ground seat after every use; store product indoors.
- Use only TreeLax™ original replacement parts.
- Always inform someone of the hunting location, where the ground seat will be located and the expected duration of the hunt.
- Carry a signal device such as a mobile phone, radio, whistle, signal flare or personal locator device (PLD) and it must be readily available at all times.
- Inspect the ground seat and all safety devices each time before use and do not store a ground seat outdoors when not in use.

NEVER...

- Sleep in a ground seat
- Exceed the total field rating of 300 lb.
- Attach to a dead, odd-shaped, leaning, diseased, loose barked trees or utility poles.
- Use on trees with a diameter smaller than 8 inches or no larger than 20 inches.
- Use a treestand/ground seat during inclement weather such as rain, lightning, windstorms or icy conditions and end your hunt if inclement conditions arise.
- Alter the original design of your ground seat.
- Jump on or use in a careless manner.
- Lean out over edge of device.
- Use when intoxicated or using over-the-counter medication or prescription drugs.
- Use a damaged product; instead, replace with new seat.
- Loan your ground seat to someone else.
- Stand on the seat, it is designed for sitting only.
- Use a ground seat when feeling ill, nauseous or dizzy, or if you have a prior medical condition that could cause a problem, i.e., heart condition, joints that lock-up, spinal fusion, etc. or if you are not well-rested.
- Jump or bounce on a ground seat to seat it to the tree

 **WARNING**

THIS TREE SEAT IS DESIGNED TO BE USED AT A HEIGHT THAT ALLOWS THE USER'S FEET TO BE ON THE GROUND AT ALL TIMES WHEN IN USE. USE AS A GROUND SEAT ONLY. FAILURE TO FOLLOW ALL INSTRUCTIONS PROVIDED AND USE AS A GROUND SEAT ONLY MAY RESULT IN SERIOUS INJURY OR DEATH!

READ, UNDERSTAND AND FOLLOW ALL ASSEMBLY, INSPECTION, MAINTENANCE, AND USE INSTRUCTIONS PROVIDED BEFORE EACH USE. FAILURE TO FOLLOW ALL WARNINGS AND INSTRUCTIONS COULD RESULT IN SERIOUS INJURY OR DEATH.

DO NOT CRUSH TUBING WHEN TIGHTENING BOLT ASSEMBLIES! IDENTIFY AND FAMILIARIZE YOURSELF WITH ALL PARTS BEFORE YOU START.

IF ANY INSTRUCTIONS ARE NOT UNDERSTOOD OR IF YOU HAVE A PARTS ISSUE CALL 800-345-6007 BEFORE USING.

DO NOT EXCEED THE TOTAL FIELD RATING- 300 LBS.

DOUBLE CHECK ASSEMBLY STEPS TO BE CERTAIN YOU HAVE CORRECTLY ASSEMBLED THIS PRODUCT.

STUDY YOUR NEW TREE SEAT TO BECOME FAMILIAR WITH ALL OF ITS FEATURES AND DESIGN. AT GROUND LEVEL, FOLLOWING PROVIDED USE INSTRUCTIONS, PRACTICE ATTACHING GROUND SEAT TO TREE AND REMOVING FROM TREE. SAVE THESE INSTRUCTIONS FOR FUTURE REFERENCE.

NEVER ATTACH GROUND SEAT TO A DEAD, ODD-SHAPED, LEANING, DISEASED, LOOSE-BARKED TREE OR UTILITY POLES.

READ AND PERFORM ALL MAINTENANCE TASKS AS DESCRIBED IN INSPECTION AND MAINTENANCE.

INSPECTION AND MAINTENANCE SCHEDULE

FOR ALL RIVERS EDGE PRODUCTS

- Inspect all webbing, rope, cord, and strap assemblies for wear or damage.
- Inspect cables and cable ends for damage or kinking.
- Inspect all hardware and chain components for damage.
- Inspect for any structural damage to product. (Return to factory for repair or discard product if any damage is found.)
- Inspect all nut and bolt assemblies to be certain none are loose.
- Inspect for any missing parts.
- Lubricate all pivot and slide together points with powder graphite to prevent noise, wear, and rust.
- Inspect entire product for any rust, corrosion, cracks, freezing, excessive heat, or rotting damage that may effect the safety of your product. Discard any questionable product.
- Inspect entire product for any structural damage - pay close attention to all weld locations. (Return to factory for repair or discard product if any damage is found.)
- Using correct wrenches inspect all nut & bolt assembly locations and snug up any that may be loose. Be careful not to crush tubing when tightening!
- Inspect and check operation of all cables, cable ends, cord, rope, webbing, and strap or chain assemblies. Replace with factory new any item or assembly that shows signs of wear, damage, kinking, or functions incorrectly.
- Inspect seat. Replace any seat with factory new that shows signs of structural damage or wear.
- Inspect all hardware for wear or damage, also be sure you have no missing parts.
- Never modify your stand in any way by making repairs, replacing parts, or altering adding or attaching anything to it except if explicitly authorized in writing by the manufacturer.

⚠ WARNING

PERFORM THESE TASKS BEFORE EACH AND EVERY USE (REPLACE ANY QUESTIONABLE COMPONENTS IMMEDIATELY WITH RIVERS EDGE ORIGINAL REPLACEMENT PARTS). DO NOT LEAVE YOUR GROUND SEAT OUTDOORS – REMOVE AFTER EACH USE AND STORE INDOORS!

INSTRUCTIONS SHOULD BE KEPT IN A SAFE PLACE AND REVIEWED AT LEAST ANNUALLY.

REPLACE ANY AND ALL GROUND SEAT STRAPS EVERY TWO YEARS OR WHEN ANY SIGNS OF DAMAGE OR WEAR EXIST BEFORE.

NEVER USE ANY PRODUCT THAT HAS NOT BEEN MAINTAINED OR INSPECTED PROPERLY – YOUR LIFE DEPENDS ON IT!

ASSEMBLY INSTRUCTIONS

Tools needed – two 7/16" wrenches

1. Attach the tree hugger weldment (48078) to the seat frame weldment using (1) provided 1/4-20 x 2-1/4" bolt, locknut and metal washer. **SEE FIGURE 1. TIGHTEN SECURELY.**
2. Attach the backrest weldment (48075) to the seat frame weldment (48081) using (2) provided 1/4-20 x 1-3/4" bolts and locknuts. **SEE FIGURE 1. TIGHTEN SECURELY!**
NOTE: Pay special attention to orientation of both parts. SEE FIGURE 1.
3. Attach the (2) provided 9" camo sleeves (48873) to each arm rest portion of seat frame by wrapping around metal tubing and attaching Velcro® of camo sleeves together with Velcro® on seat straps.
4. Attach backrest portion of seat to the backrest weldment by wrapping Velcro® loops around metal tubing and securing together.

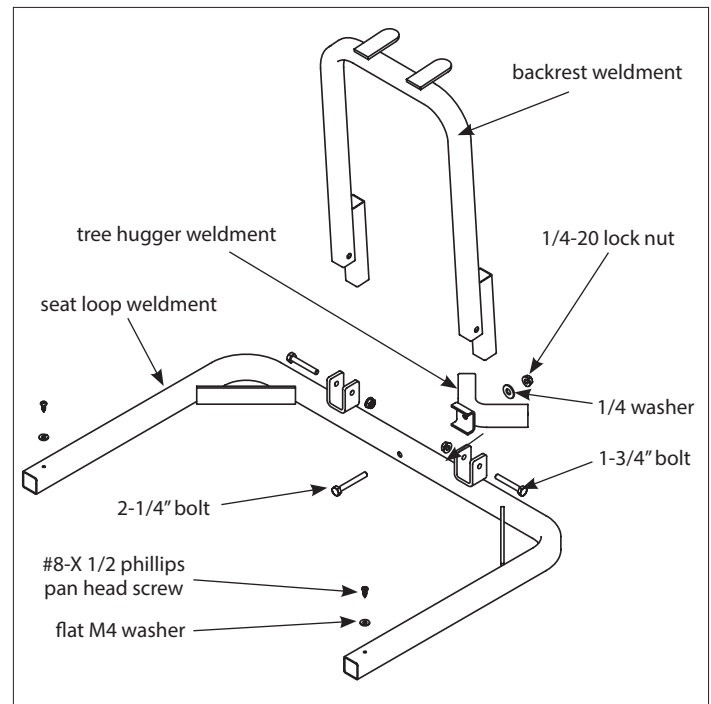


Figure 1

SETUP AND USE INSTRUCTIONS

1. This tree seat is designed to be used at a height that allows the user's feet to be on the ground at all times when in use. Use as a ground seat only.
2. Attach the long strap to either upper corner of backrest frame. Wrap the loop end of strap around the backrest rim and feed opposite end of strap through the loop. Pull tight forming a cinch knot. This permanently attaches this strap to the backrest rim. **SEE FIGURE 2.**
3. Repeat step 2 for strap with ratchet by attaching it to the opposite upper corner of backrest rim. Wrap the loop end of strap around the backrest rim and feed the ratchet assembly through the loop. Pull tight forming a cinch knot. This permanently attaches this strap to the backrest rim. **SEE FIGURE 3.**
4. Standing on the ground, wrap long strap around tree and feed the long strap through the center (slot) of ratcheting mechanism and back around through tightening lever. **SEE FIGURE 4.**

NOTE: Be sure you feed the long strap correctly so there are no twists in the strap.

Pull tail of long strap until most of the slack is taken out. Be sure entire strap is even and at the same level all around tree. "Ratchet" tight to tree; this will securely attach the tree seat to tree and prevent movement. **SEE FIGURE 5.** Make sure all four (4) contact points of frames are touching tree (two on tree hugger and two on backrest loop). Always test before sitting on the seat.

NOTE: To release ratchet, simply pull the release lever and open tightening lever wide open (flat).

5. Adjustment in height may be needed for comfort. Redo set-up instructions as necessary to achieve a comfortable seat height from the ground. Never attach this ground seat at a height that will not allow you to have both feet on the ground at all times during use.
6. Reverse setup and use instructions to take tree seat down.

WARNING

DO NOT ALLOW EXCESSIVE STRAP BUILDUP IN RATCHET AS THIS WILL PREVENT THE RATCHET TEETH FROM ENGAGING CAUSING SLIPPAGE.

ALWAYS ATTACH RATCHET STRAP SECURELY WHILE USING THIS PRODUCT!

NEVER STAND ON GROUND SEAT; IT IS DESIGNED FOR SITTING ONLY.



Figure 3

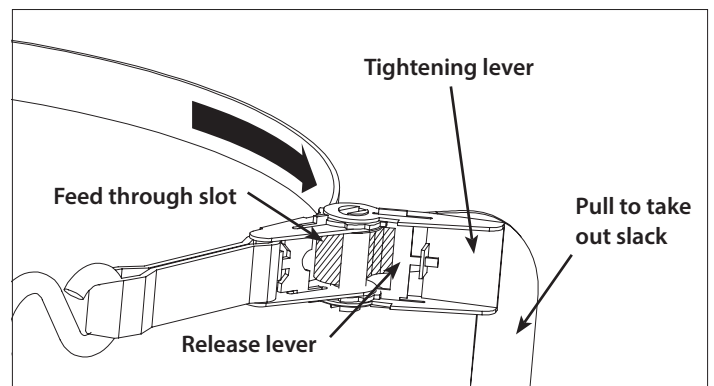


Figure 4



Figure 2

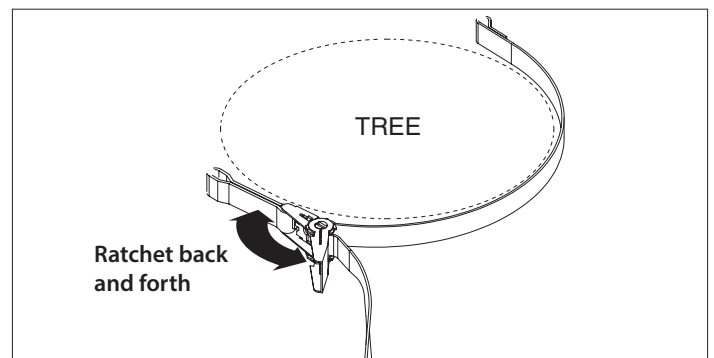
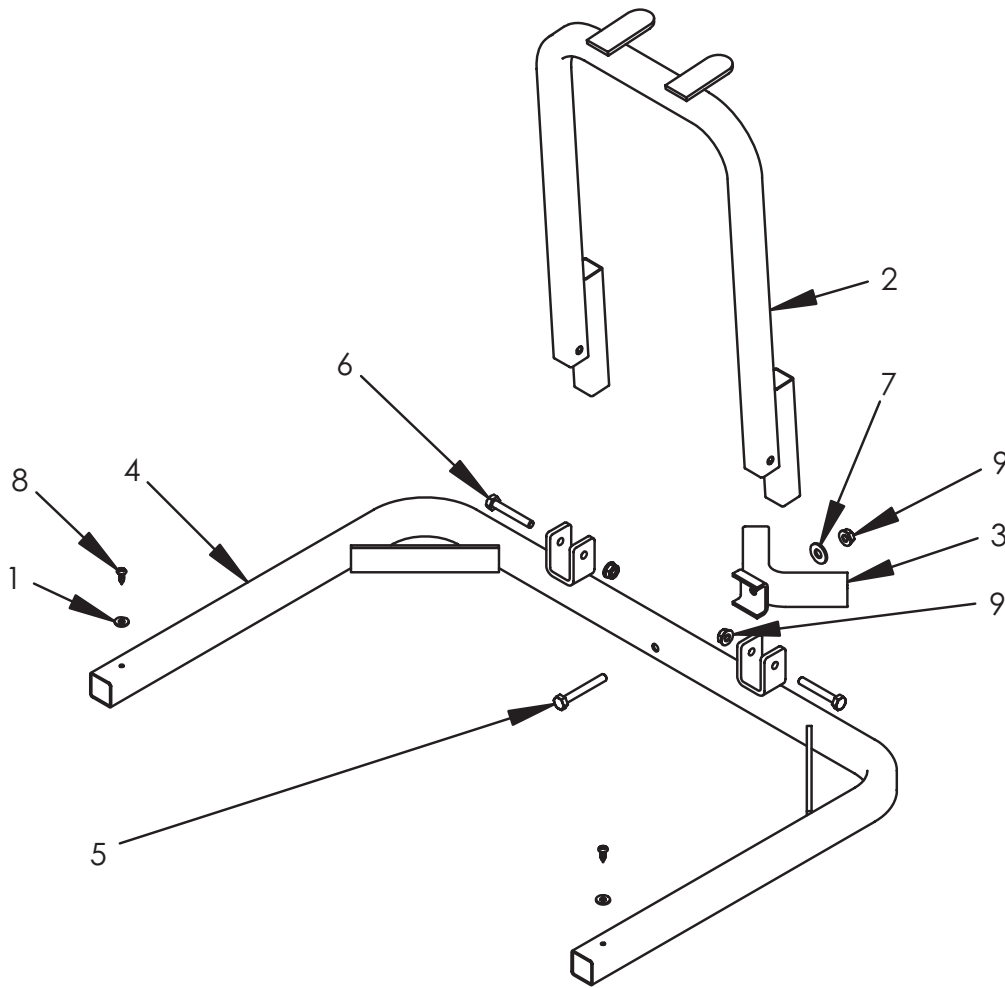
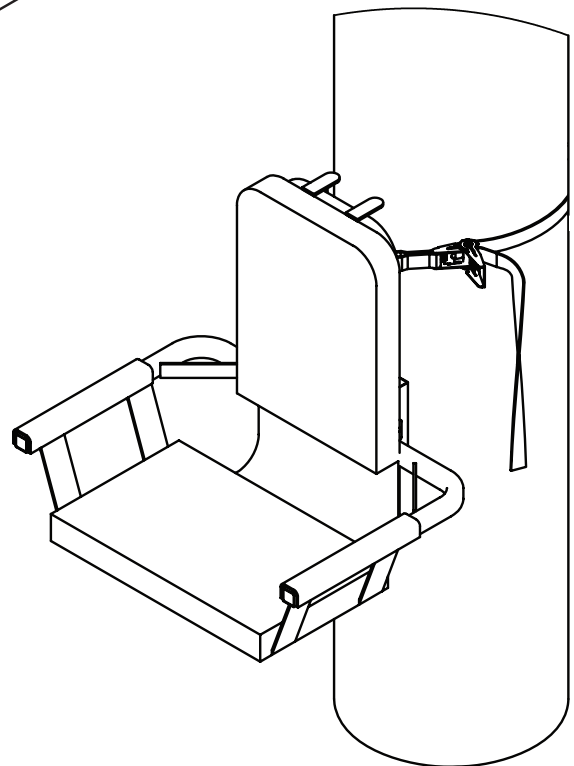


Figure 5

PARTS BREAKDOWN



**FINISHED LOUNGER
TREE SEAT**



PARTS LIST

KEY #	PART #	DESCRIPTION	QTY.
1	4692	WASHER - FLAT M4	2
2	48075	WELDMENT, BACKREST LOOP, TREE SEAT	1
3	48078	WELDMENT, TREE HUGGER, TREE SEAT	1
4	48081	WELDMENT, SEAT LOOP, TREE SEAT	1
5	48271B	BOLT 1/4-20 X 2-1/4" HHCS GR5 BLK ZN	1
6	48250B	BOLT 1/4-20 X 1-3/4" HHCS GR5 BLK ZN	2
7	48261B	WASHER 1/4 BLK ZNC	1
8	48320	#8- X 1/2 PHILLIPS PAN HEAD SCREW	2
9	48752B	NUT, FLANGED, TOP LOCK, 1/4-20	3
ITEMS BELOW NOT SHOWN			
--	48080	RATCHET STRAP	1
--	48079	SEAT, COMPLETE, LOUNGER	1
--	48873	CAMO SLEEVE WITH FOAM 9"	2



Rivers Edge® Treestands, Inc.
1160 Eighth Avenue, PO Box 755
Cumberland, WI 54829
800-450-EDGE (3343) | Fax 715-822-2124
Email: info@huntriversedge.com