



Operator's Manual
RE774
Game Cart

Game Cart (RE774)

We appreciate your purchase of one of our world class Game Carts. Follow these few simple instructions and your product will be sure to give you many years of trouble free pleasure. Instructions should be kept in a safe place and reviewed at least annually.

If for any reason you have a problem with your product, **DO NOT return to the retailer**, contact the Rivers Edge customer service department at 800-450-3343 for assistance.

ASSEMBLY INSTRUCTIONS:

1. Slide axle thru axle holding tubes and permanently attach using provided washers and safety pins. **SEE FIGURE 1.**
2. Open up frames, remove wheels from storage position and put on axle using the provided safety pins and washers. **SEE FIGURE 1.**
3. Remove flat bars from storage position and attach for in-use position using the four provided wing bolts and wing nuts. **SEE FIGURE 1.**
4. Fold handle out (open) and attach for in-use position with the two provided 2-1/2" spring pins. **SEE FIGURE 1**

USE INSTRUCTIONS:

1. With the help of two people, load your deer or gear onto the cart, keeping extremities away from wheels. Using rope or strap (not provided) securely attach to cart to prevent shifting.
2. When hauling avoid rocks, stumps (logs) and unlevel terrain to prevent any product damage or personal injury and to make your haul much more enjoyable. Take your time and do not over exert yourself. You will find it much easier to pull your load rather than pushing it.
3. For storage, reverse setup procedures and fold up to a compact unit (same as you received the product in box except axle should permanently stay in place).

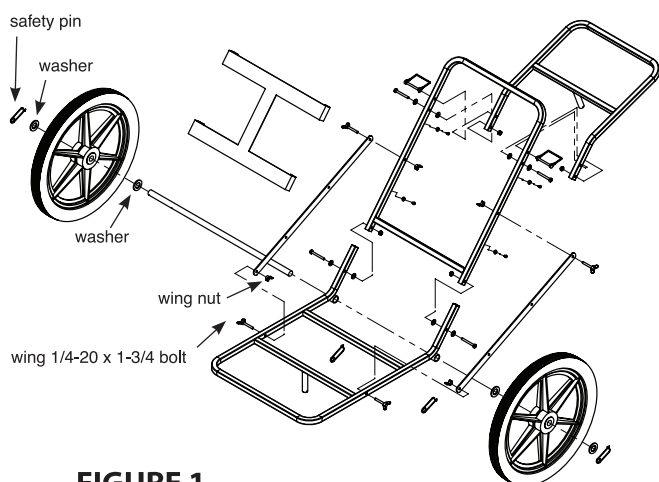


FIGURE 1

⚠ WARNING

READ, UNDERSTAND AND FOLLOW ALL ASSEMBLY , INSPECTION, MAINTENANCE & USE INSTRUCTIONS PROVIDED BEFORE EACH USE. FAILURE TO FOLLOW ALL WARNINGS AND INSTRUCTIONS COULD RESULT IN SERIOUS INJURY OR DEATH.

IF ANY INSTRUCTIONS ARE NOT UNDERSTOOD OR IF YOU HAVE A PARTS ISSUE CALL 800-450-3343 BEFORE USING.

BE AWARE OF PINCH POINTS AT FOLDING LOCATIONS. KEEP FINGERS AWAY FROM PINCH POINTS.

DOUBLE CHECK ASSEMBLY STEPS TO BE CERTAIN YOU HAVE CORRECTLY ASSEMBLED THIS PRODUCT.

FOR STORAGE -- REVERSE SETUP PROCEDURES AND FOLD UP TO A COMPACT UNIT -- SAME AS YOU RECEIVED THE PRODUCT IN BOX EXCEPT AXLE SHOULD PERMANENTLY STAY IN PLACE.

ALWAYS...

- Read and understand all instructions before use, save for future reference.
- Be careful of pinch points at folding locations.
- Inspect before each & every use to be sure there is no product damage or loose/missing bolts & hardware.

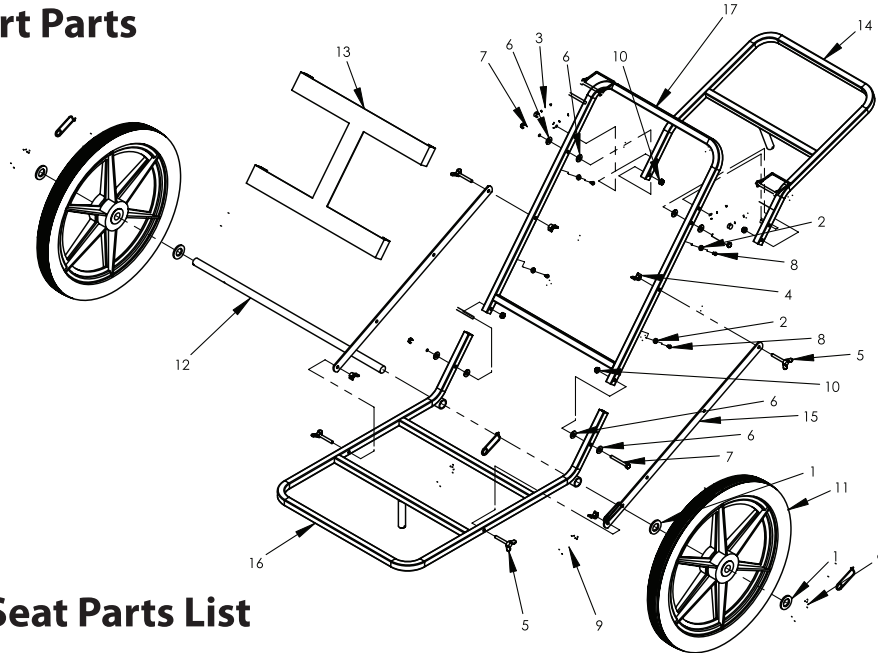
NEVER...

- Exceed the maximum load capacity of 300 lbs.
- Use on uneven terrain or side hills.
- Allow people to ride on this cart, it is not designed for hauling people.
- Use excessive speeds while using this product. Excessive weight can cause weight shifts which can lead to loss of control of your cart.
- Use a damaged product.
- Use when intoxicated or using over-the-counter medication or prescription drugs.
- Use on rocky or obstacle ridden terrain.
- Use carelessly -- Think Safety!

15395

© 2013 RETI, Inc.
 All Rights Reserved.

Game Cart Parts



Ground Seat Parts List

KEY #	PART #	DESCRIPTION	QTY.
1	4159	WASHER, 3/4" SPINDLE SAE	4
2	4692	WASHER, FLAT M4	4
3	48090	LOCK PIN, 1/4 X 2-1/2"	2
4	480428	NUT, WING 1/4-20	4
5	48044B	BOLT, WING 1/4-20 X 1-3/4	4
6	48261B	WASHER, 1/4 BLK ZN	8
7	48271B	BOLT, 1/4-20 X 2-1/4 HHCS GR5 BLK ZN	4
8	48320	SCREW, PAN HEAD #8 X 1/2	4

KEY #	PART #	DESCRIPTION	QTY.
9	48746	SAFETY PIN, 1.75MM X 1-3/4"	4
10	48752B	NUT, FLANGED, TO P LOCK 1/4-20	4
11	DC26	WHEEL 18.5"W/3/4" HUB	2
12	DC29	DEER CART AXLE	1
13	DC36	ASSEMBLY STRAP	1
14	DC39	CART HANDLE	1
15	DC40	FLAT BAR, SIDE SUPPORT	2
16	DC41	FRONT FRAME	1
17	DC43	REAR FRAME	1

WARRANTY

Rivers Edge® Treestands, Inc., offers a lifetime warranty to be free from defects in materials and workmanship. This warranty applies to the original owner with a proof of purchase. All items attached to our stands (seat, strap, rope, wood, etc.) that are degradable are warranted for a period of one year. There is no warranty on paint. This warranty applies to products that are not modified, abused or misused in a manner that deviates from the products intended usage. Rivers Edge® Treestands offers no other warranty expressed or implied nor is to be held liable for any damage that may result from any defect in a treestand manufactured by them. Warranty work must be sent directly to Rivers Edge® Treestands and performed by them. **To obtain warranty service and/or replacement instructions, you must have prior approval from Rivers Edge® Treestands before shipping your package to us by calling our customer service department at 800-450-EDGE (3343) or by writing to: Rivers Edge® Treestands, Inc., P.O. Box 755, 1160 Eighth Avenue, Cumberland, WI 54829 for a return material authorization number (RMA#).** All items must be shipped prepaid. Rivers Edge® Treestands will at no charge, repair or replace, at their discretion, any defective stand which falls under the conditions stated above. Rivers Edge® Treestands retains the right to change models, specifications and price without notice.

This equipment has been manufactured under strict quality guidelines. As with any equipment of this type, full understanding of the instructions and its use is mandatory for the safety of its user. Rivers Edge® Treestands, Inc., is not responsible for any damages or injuries sustained due to improper use or modification of any of its products, or due to any use which deviates from the products intended usage. The manufacturer also is not responsible for any injuries sustained due to failure to adhere to the instructions for use. Any misunderstanding of its operation should be directed to manufacturer prior to its use.

For replacement parts, phone 800-450-EDGE (3343) or go online to www.HuntRiversEdge.com.



Rivers Edge® Treestands, Inc.
1160 Eighth Avenue, PO Box 755
Cumberland, WI 54829
800-450-EDGE (3343) | Fax 715-822-2124
Email: info@huntriversedge.com

All weights, specifications and features are approximate and are subject to change without notice. Due to continuous product improvements, product images may not be exact. Warning labels in some product images may have been removed for photography purposes only. Props shown in photos not included. Some assembly may be required.