

INTRODUCTION

If for any reason you have a problem with your product, **DO NOT return to the retailer**, contact the Rivers Edge customer service department at 800-450-EDGE (3343) for assistance.

IMPORTANT: During installation and removal of a hang-on treestand, you must always and properly use the included Full Body Harness (Fall Arrest System) with climbing belt. Refer to the Full Body Harness and climbing belt instructions included with this product for proper use. You must always use the Full Body Harness while using this product.

THREADING THE FLOAT BUCKLE

Always check the condition of your Big Foot strap before use. If strap becomes twisted or if you need to replace a worn or damaged strap, make sure to follow these instruction to ensure proper assembly.

1. Hold float buckle so warning tag faces upward. **SEE FIGURE 1.**
2. Feed end tail of strap up through the bottom of the float buckle on the sewn loop side of the roller bar. **SEE FIGURE 2.**

NOTE: Smooth side of end tail must face sewn loop.

3. Feed end tail over roller bar and down through float buckle. **SEE FIGURE 3.**
4. Pull end tail away from float buckle. **SEE FIGURE 3.**

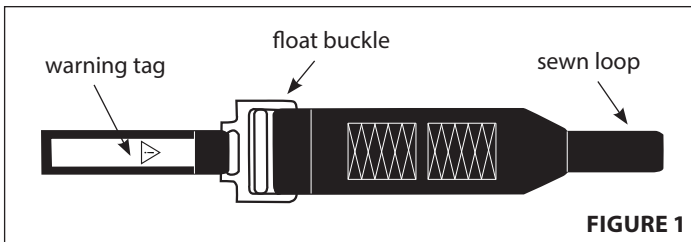


FIGURE 1

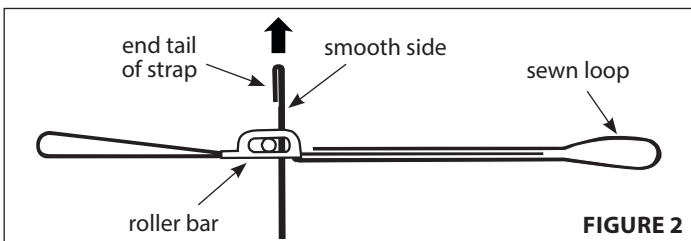


FIGURE 2

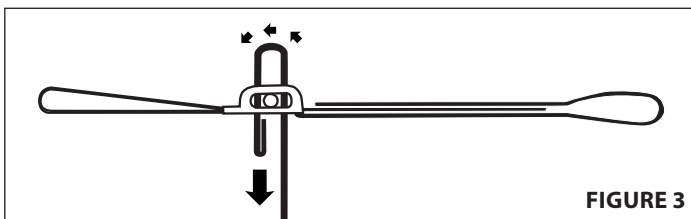


FIGURE 3

Rivers Edge® Treestands, Inc.
1160 Eighth Avenue, PO Box 755
Cumberland, WI 54829
800-450-EDGE (3343) | Fax 715-822-2124
Email: info@huntriversedge.com



WARNING

READ, UNDERSTAND AND FOLLOW ALL ASSEMBLY, INSPECTION, MAINTENANCE & USE INSTRUCTIONS PROVIDED BEFORE EACH USE. FAILURE TO FOLLOW ALL WARNINGS AND INSTRUCTIONS COULD RESULT IN SERIOUS INJURY OR DEATH.

BE SURE TO FOLLOW ALL INSTRUCTIONS PROVIDED. IF ANY INSTRUCTIONS ARE NOT UNDERSTOOD OR IF YOU HAVE A PARTS ISSUE CALL 800-450-3343 BEFORE USING.

THIS REPLACEMENT STRAP ASSEMBLY IS DESIGNED TO WORK ONLY ON RIVERS EDGE BIG FOOT MODEL SERIES TREESTANDS. DO NOT USE THIS REPLACEMENT STRAP ASSEMBLY ON ANY OTHER BRAND OR PRODUCT.

BE SURE THE ASSEMBLY ORDER AND STRAP BRACKET POSITIONS ARE EXACTLY THE SAME AS FIGURE SHOWN IN ASSEMBLY INSTRUCTIONS. BE SURE TO USE ONLY THE CORRECT BOLT(S) AND LOCKNUT(S) PROVIDED.

DOUBLE CHECK ASSEMBLY STEPS TO BE CERTAIN YOU HAVE CORRECTLY ASSEMBLED THIS PRODUCT.

DO NOT CRUSH TUBING WHEN TIGHTENING BOLT ASSEMBLIES! IDENTIFY AND FAMILIARIZE YOURSELF WITH ALL PARTS BEFORE YOU START.

INSTRUCTIONS SHOULD BE KEPT IN A SAFE PLACE AND REVIEWED AT LEAST ANNUALLY. IT IS THE RESPONSIBILITY OF THE TREESTAND OWNER TO FURNISH THE COMPLETE INSTRUCTIONS TO ANY PERSON THAT WHO BORROWS OR PURCHASES THE TREESTAND.

DO NOT TWIST STRAP WHEN ATTACHING. SEE SETUP AND USE INSTRUCTIONS FOR CORRECT ATTACHMENT.

ALWAYS CLIMB TREE ON THE ATTACHMENT SIDE OF THE TREE STAND. VISUALLY INSPECT YOUR CONNECTION TO BE ASSURED YOU HAVE CORRECTLY ATTACHED STAND TO TREE AS PER INSTRUCTIONS AND DIAGRAMS.

PLATFORM MUST BE FOLDED UP TO REMOVE STAND. THIS ALLOWS SLACK IN STRAP FOR REMOVAL.

NEVER PULL YOURSELF UP ONTO PLATFORM - ALWAYS STEP DOWN FROM ABOVE.

NEVER TOUCH OR MOVE BUCKLE WHILE STAND IS IN USE.

NEVER ATTACH TO A DEAD, ODD-SHAPED, LEANING, DISEASED, LOOSE-BARKED TREE OR UTILITY POLES.

THE USE OF A LINEMAN'S/CLIMBING BELT IS REQUIRED WHILE ASCENDING, DESCENDING AND INSTALLING A HANG-ON TREESTAND TO STABILIZE THE USER WITH THE TREE.

CORRECT TIGHTENING AND ADJUSTMENTS OF CHAINS, CABLES, STRAPS, ETC. ARE CRITICAL TO STABLE HANG-ON TREESTAND INSTALLATION. ALL TREESTAND CONTACT POINTS MUST BE IN CONTACT WITH THE TREE BEFORE YOU STEP ONTO YOUR STAND.

NEVER LEAVE A TREESTAND IN A TREE WHEN NOT IN USE SINCE WEATHER OR ANIMALS COULD CAUSE DAMAGE. TREE GROWTH CAN ALSO STRESS AND DAMAGE STRAPS AND BUCKLES.

REPLACE ANY AND ALL TREESTAND STRAPS EVERY TWO YEARS OR WHEN ANY SIGNS OF DAMAGE OR WEAR EXIST BEFORE.

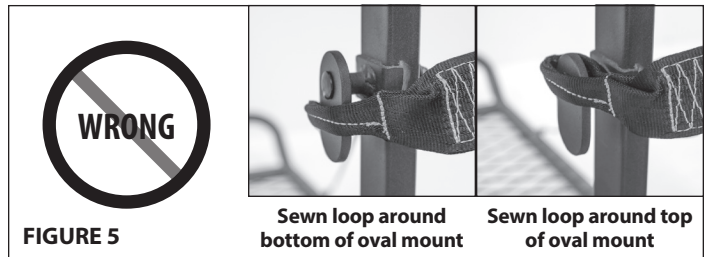
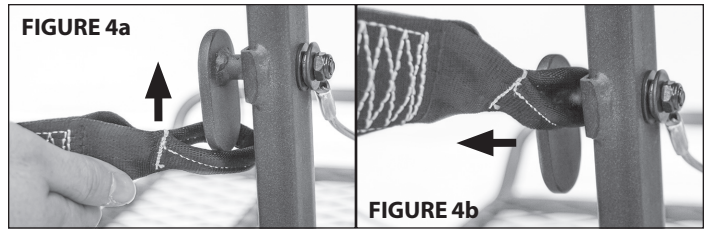
INSTALLING AND USING THE TREESTAND AT GROUND LEVEL BEFORE ATTEMPTING AT ALTITUDE WILL CONFIRM THAT THE PRODUCT IS MANUFACTURED, ASSEMBLED, AND INSTALLED CORRECTLY. FAILURE TO INSTALL AND TEST AT GROUND LEVEL FIRST PUTS USERS AT RISK FOR SERIOUS INJURY OR DEATH.

ALL USERS ARE RESPONSIBLE FOR ENSURING STRAP IS ATTACHED TO TREESTAND PROPERLY AND SECURELY. FAILURE TO DO SO MAY RESULT IN SERIOUS INJURY OR DEATH. READ AND UNDERSTAND ALL INSTRUCTIONS FOR PROPER INSTALLATION PROCEDURE AND PRODUCT WARNINGS BEFORE USE.

CRITICAL STRAP ATTACHMENT INSTRUCTIONS

Improper strap attachment to the treestand and/or improper treestand attachment to the tree may lead to serious injury or death due to sudden release of an incorrectly attached strap/treestand!

1. The Big Foot strap (18063) can be attached so that the sewn loop side with the float buckle can be put on either side of the treestand depending on your left or right hand installation preference. Make sure to always orientate climbing aid to the float buckle side of the strap. Start by attaching the sewn loop of the long side strap to either the left or right side of treestand by sliding sewn loop completely over the oval mount. **SEE FIGURES 4a AND 4b.**
2. The sewn loop on float buckle side secures to the opposite side of treestand in the same way as described in step 1 by sliding sewn loop completely over the oval mount.
3. It is critical that you secure the sewn loops of Big Foot strap to the oval mounts properly and securely, your life depends on it! **DO NOT** attach the sewn loops of the strap as shown in **FIGURE 5** or any other incorrect fashion or you may be seriously injured or killed due to sudden release of an incorrectly attached strap/treestand to the tree!



TREE ATTACHMENT INSTRUCTIONS

1. At desired height, attach by following instructions - a,b,c,d,e,f.

NOTE: Stand should be attached to tree with platform folded in an upright position!

a. Lengthen strap by pulling float buckle away from strap - this will allow strap to slide around float buckle roller bar.

b. With the sewn loop of the long side strap attached correctly, take sewn loop on float buckle end and wrap around tree. Be sure the strap is even and at the same level all the way around the tree. Also, be sure there are no twists in the strap. Connect sewn loop to opposite side of stand by correctly looping over opposite oval mount. Be absolutely sure both sewn loops are securely attached and can not come off. **SEE CRITICAL STRAP ATTACHMENT INSTRUCTIONS.**

c. Pull on excess end of strap firmly - snugging up stand to tree. **SEE FIGURE 6.**

NOTE: Platform must be folded up while doing this.

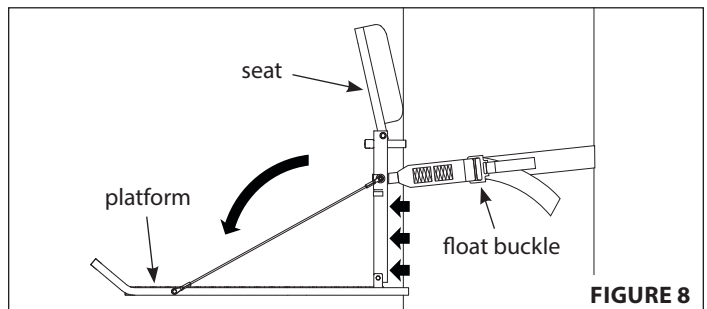
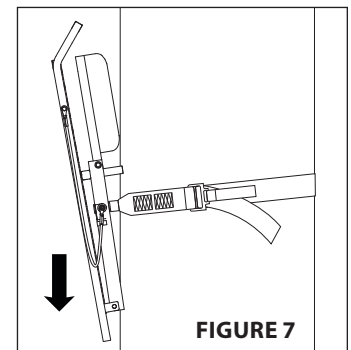
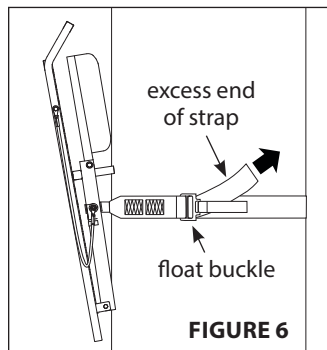
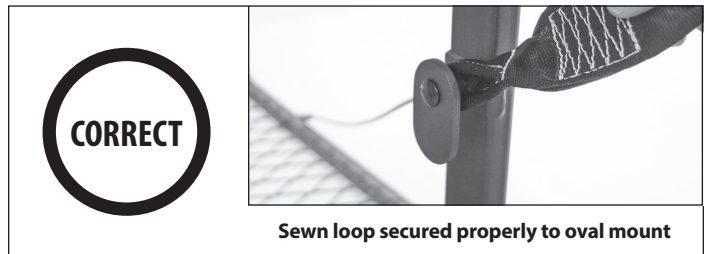
d. While platform is still folded up, push treestand in a downward direction to further tighten strap. **SEE FIGURE 7.**

e. Once securely attached, pivot the platform down. This lever-action will snug stand up tight to prevent any shifting. Redo as necessary to accomplish a snug stand-to-tree fit. All four contact bars must be touching tree! **SEE FIGURES 8.**

f. The tension on strap will not allow any slippage due to roller bar tension of buckle. Proper installation should be checked prior to stepping onto platform to ensure safety.

2. Before stepping down onto center of stand platform, be sure it is secured properly and is tight against tree with all (4) contact bars touching tree!
3. Carefully step onto stand platform to be sure you have a solid feel against tree and platform is level. Seat folds down for sitting and tips back for standing.

NOTE: To remove stand, fold platform back up and pull on buckle hand strap to release tension on roller bar.



*All weights, specifications and features are approximate and are subject to change without notice. Due to continuous product improvements, product images may not be exact. Warning labels in some product images may have been removed for photography purposes only. Props shown in photos not included. Some assembly may be required.