

Big Foot / Lite Foot Series Replacement Seat Kit (RE759)

Rivers Edge Treestands are engineered with you the hunter in mind. We appreciate your purchase of one of our world class accessories. Follow these few simple instructions and your stand will provide you many years of trouble-free pleasure. Instructions should be kept in a safe place and reviewed at least annually.

If for any reason you have a problem with your product, **DO NOT return to the retailer**, contact the Rivers Edge customer service department at 800-450-EDGE (3343) for assistance.

ASSEMBLY INSTRUCTIONS

Tools needed – two 7/16" wrenches

IMPORTANT ASSEMBLY TIP: *Do not tighten any nut and bolt combinations until all parts are assembled. Finger tighten only. This will help alignment of all parts!*

1. Bolt the metal seat frame (C30) onto the seat post using the (2) provided 1/4-20 x 2-1/4" bolts, locknuts and (6) nylon washers. **SEE FIGURE 1. Be sure not to over tighten or crush tubing when tightening!**
2. Attach seat cover (486103) to metal seat frame by sliding seat frame into pocket and snapping buckles together. Pull straps tight so seat is not loose. **SEE FIGURE 2.**

NOTE: *Using powder graphite lubricant during assembly of moving parts will help eliminate noise during use!*

! WARNING

READ, UNDERSTAND AND FOLLOW ALL ASSEMBLY, INSPECTION, MAINTENANCE & USE INSTRUCTIONS PROVIDED BEFORE EACH USE. FAILURE TO FOLLOW ALL WARNINGS AND INSTRUCTIONS COULD RESULT IN SERIOUS INJURY OR DEATH.

BE SURE TO FOLLOW ALL INSTRUCTIONS PROVIDED. IF ANY INSTRUCTIONS ARE NOT UNDERSTOOD OR IF YOU HAVE A PARTS ISSUE CALL 800-450-3343 BEFORE USING.

BE SURE SEAT PAD AND BUCKLES ARE SECURELY AND CORRECTLY ATTACHED TO PREVENT ACCIDENTAL REMOVAL

DOUBLE CHECK ASSEMBLY STEPS TO BE CERTAIN YOU HAVE CORRECTLY ASSEMBLED THIS PRODUCT.

DO NOT CRUSH TUBING WHEN TIGHTENING BOLT ASSEMBLIES! IDENTIFY AND FAMILIARIZE YOURSELF WITH ALL PARTS BEFORE YOU START.

INSTRUCTIONS SHOULD BE KEPT IN A SAFE PLACE AND REVIEWED AT LEAST ANNUALLY.

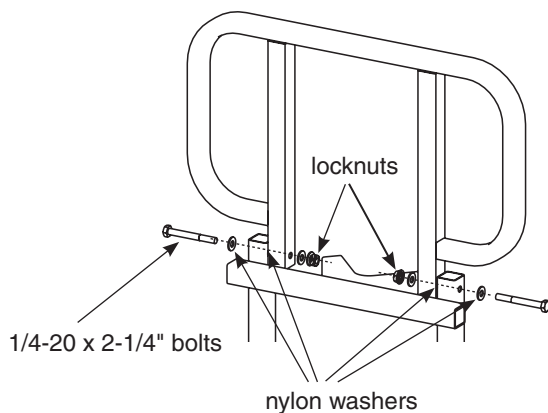


FIGURE 1

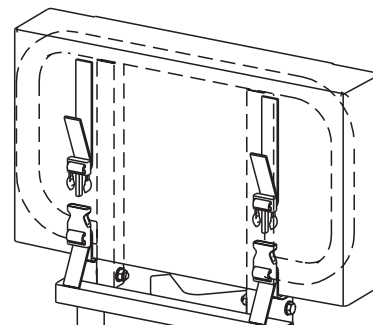


FIGURE 2