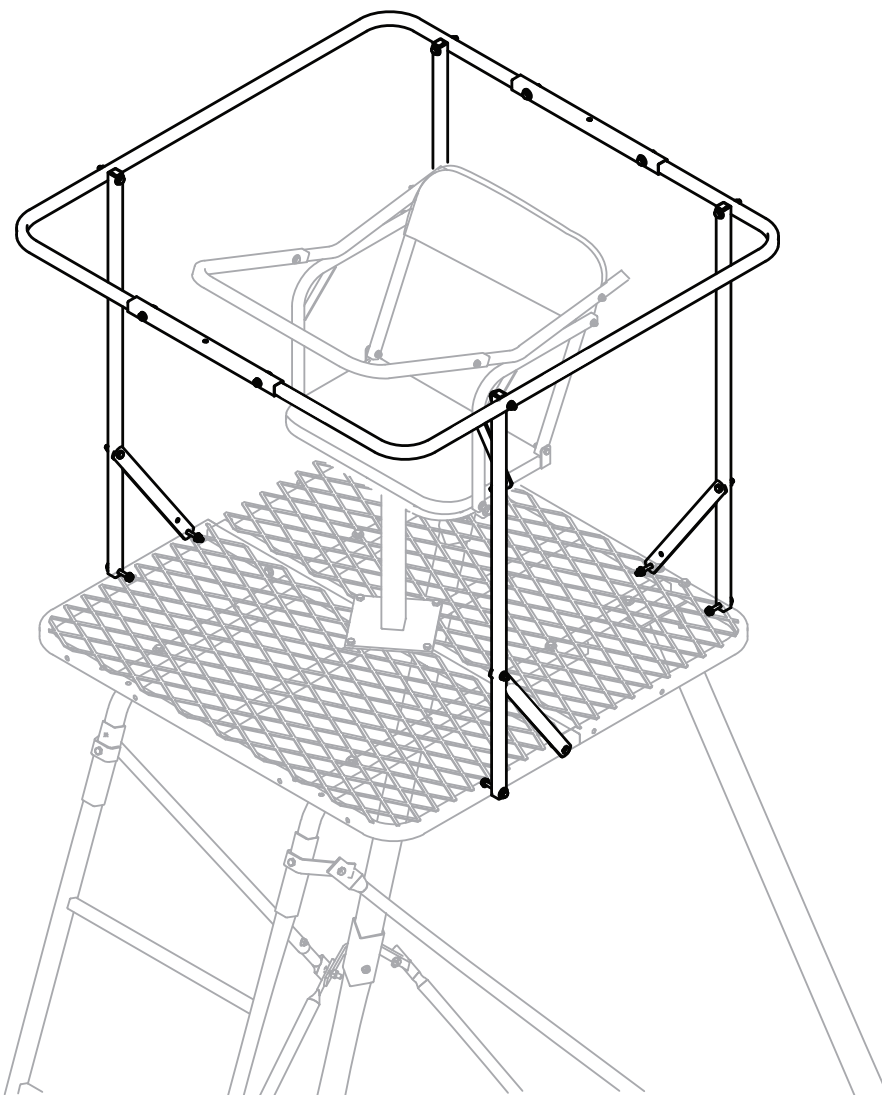




Operator's Manual

**RE764**  
**Perimeter™**  
**Pod Curtain**



Curtain omitted for clarity.  
Pod not included.

Get parts online at  
[www.huntriversedge.com](http://www.huntriversedge.com)



OMRE76409  
ECN: 10325  
REV2: 02/28/14  
© 2014 RETI.

All Rights Reserved.

## INTRODUCTION

Rivers Edge® Treestands are engineered with you, the hunter, in mind. We appreciate your purchase of one of our world class treestands. Follow these few simple instructions and your stand will provide you many years of trouble-free pleasure. Instructions should be kept in a safe place and reviewed at least annually. If for any reason you have a problem with your product, **DO NOT return to the retailer**, contact the Rivers Edge® customer service department at 800-450-EDGE (3343) for assistance.

## CONTENTS

Introduction/Warranty .....	2
Warnings.....	3
Inspection and Maintenance Schedule for all RiversEdge Products .....	3-4
Assembly and Use Instructions .....	5
Illustrated Parts Breakdown.....	6
Notes:.....	7

### WARRANTY

Rivers Edge Tree Stands, Inc. ("RETI") offers a one year warranty for all components of the treestand. These warranties apply to the original owner with a proof of purchase. These warranties begin on the date of purchase by the first retail consumer and continue for the period specified above. These warranties apply to products that are not modified, abused or used in a manner that deviates from the product's intended usage. Minor fading in color is normal and is not covered by warranty. Any corrosion of painted surfaces that occurs as a result of paint being removed or damaged is also not covered by warranty. RETI offers no other warranty expressed or implied. Products for which warranty work has been approved must be sent directly to RETI and performed by RETI. **To obtain warranty service and/or replacement instructions, you must obtain prior approval from Rivers Edge® Treestands before shipping your package to us by calling our customer service department at 800-450-EDGE (3343) or by writing to: Rivers Edge Tree Stands, Inc., P.O. Box 755, 1160 Eighth Avenue, Cumberland, WI 54829 for a return material authorization number (RMA#).** All items must be shipped prepaid. RETI will, at no charge, repair or replace, in RETI's sole discretion, any product that satisfies the conditions stated above. RETI retains the right to change models, specifications and price without notice.

This equipment has been manufactured under strict quality and safety guidelines. As with any equipment of this type, full understanding of the instructions and its use is mandatory and imperative for the safety of its user. RETI is not responsible for any damages or injuries sustained due to improper use or modification of any of its products, or resulting from any use which deviates from the product's intended usage. RETI is not responsible for any injuries sustained due to failure to read and adhere to the instructions for use. Any misunderstanding or questions regarding the products of their use should be directed to RETI prior to any use. It is the owner's sole responsibility to inspect the product regularly for damage, improper installation, or conditions that could jeopardize the ultimate safety of the product. **Owner is responsible to understand and follow product field weight rating and must never exceed maximum weight rating.** RETI is not responsible for any malfunction or injury resulting from normal wear and tear, damage caused by improper use, improper maintenance, negligence or accidents. This product, if used safely as intended, will provide trouble free service for the useful life of the product. We hope you will enjoy the quality of our products for years to come, and have a safe hunt. **For replacement parts, phone 800-450-EDGE (3343) or go online to [www.huntriversedge.com](http://www.huntriversedge.com).**


**WARNING**

**READ, UNDERSTAND AND FOLLOW ALL ASSEMBLY, INSPECTION, MAINTENANCE, & USE INSTRUCTIONS PROVIDED BEFORE EACH USE. FAILURE TO FOLLOW ALL WARNINGS AND INSTRUCTIONS COULD RESULT IN SERIOUS INJURY OR DEATH.**

**INSTRUCTIONS SHOULD BE KEPT IN A SAFE PLACE AND REVIEWED AT LEAST ANNUALLY.**

**IF ANY INSTRUCTIONS ARE NOT UNDERSTOOD OR IF YOU HAVE A PARTS ISSUE CALL 800-450-EDGE (3343) BEFORE USING.**

**DOUBLE CHECK ASSEMBLY STEPS TO BE CERTAIN YOU HAVE CORRECTLY ASSEMBLED THIS PRODUCT.**

**INSPECT ENTIRE UNIT FOR CORRECT ASSEMBLY BEFORE EVERY USE. BE SURE UNIT HAS A SOLID, STABLE FEEL TO IT AS YOU START TO CLIMB. BE SURE UNIT IS LEVEL. BE SURE HANDS ARE FREE FOR CLIMBING.**

**NEVER USE ANY PRODUCT THAT HAS NOT BEEN MAINTAINED OR INSPECTED PROPERLY – YOUR LIFE DEPENDS ON IT!**

**NEVER LEAN AGAINST, LEAN OVER OR SIT ON SHOOTING RAIL. IT IS DESIGNED AS A SHOOTING/HAND REST ONLY. ALWAYS BE AWARE THAT THE SHOOTING RAIL PIVOTS UP AND DOWN.**

**BE SURE SHOOTING RAIL IS FLIPPED UP, OUT OF THE WAY WHEN ASCENDING OR DESCENDING LADDER POD.**

**EXIT YOUR LADDER POD IMMEDIATELY IF WINDS OR STORMY CONDITIONS ARISE.**

**ALWAYS LEAN FORWARD, TOWARD LADDER, WHEN ASCENDING OR DESCENDING.**

**ALWAYS HAVE THREE POINTS OF CONTACT WHILE ASCENDING OR DESCENDING LADDER.**

**BE SURE TO RAISE AND LOWER YOUR WEAPON AND GEAR WITH A HAUL LINE. GUN BARREL END AND ARROW TIPS MUST BE POINTED DOWN- AWAY FROM YOU.**

**WHEN HUNTING FROM A TREESTAND/POD STAND, FALLS CAN OCCUR ANY TIME AFTER LEAVING THE GROUND CAUSING INJURY OR DEATH.**

**NEVER STAND ON SWIVEL SEAT- IT IS DESIGNED FOR SITTING ONLY.**

**ALWAYS...**

Be physically fit, mentally alert, and well rested before using this product.

Read and understand all instructions before use and save for future reference.

Be fully aware of foot placement.

Recommended for adult use only.

Inspect the stand for missing parts, all hardware condition, and damage before every application, replace if necessary.

Remove pod stand when not in use, store product indoors. • Use only Rivers Edge original replacement parts.

Lean forward, towards ladder, when ascending and descending ladder.

Pull up a bow, backpack, firearm or other equipment only after being secure in the treestand and a fire arm must be pulled up with it unloaded, chamber open and muzzle down.

Place pod stand on dry, level ground.

Lubricate all slide together points to prevent binding, wear, rust & noise.

Have three points of contact while climbing or descending ladder.

Avoid all electrical power lines.

Inform someone of the hunting location, where the pod stand will be located and the expected duration of the hunt.

Carry a signal device such as a mobile phone, radio, whistle, signal flare or personal locator device (PLD) and it must be readily available at all times.

Inspect the pod stand and all safety devices each time before use.

**NEVER...**

Sleep in a pod stand.

Use on wet, soft, or unstable ground.

Exceed total field rating of 300 Lbs.

Use a pod stand during inclement weather such as rain, lightning, windstorms or icy conditions. You should end your hunt and return to the ground if inclement conditions arise.

Alter the original design of your pod stand.

Carry a gun or bow while ascending and descending.

Jump on or use in a careless manner.

Lean out over edge of device.

Use when intoxicated or using over-the-counter medication or prescription drugs.

Use a damaged product, replace with new.

Loan your pod stand to someone else.

Use a pod stand when feeling ill, nauseous or dizzy, or if you have a prior medical condition that could cause a problem (i.e., heart condition, joints that lock-up, spinal fusions, etc.) or if you are not well rested.

## INSPECTION AND MAINTENANCE SCHEDULE

FOR ALL RIVERS EDGE PRODUCTS:

- Inspect all webbing, rope, cord, and strap assemblies for wear or damage.
- Inspect cables and cable ends for damage or kinking.
- Inspect all hardware and chain components for damage.
- Inspect for any structural damage to product. (Return to factory for repair or discard product if any damage is found.)
- Inspect all nut and bolt assemblies to be certain none are loose.
- Inspect for any missing parts.
- Lubricate all pivot and slide together points with powder graphite to prevent noise, wear, and rust.
- Inspect entire product for any rust, corrosion, cracks, freezing, excessive heat, or rotting damage that may effect the safety of your product. Discard any questionable product.
- Inspect entire product for any structural damage - pay close attention to all weld locations. (Return to factory for repair or discard product if any damage is found.)
- Using correct wrenches inspect all nut & bolt assembly locations and snug up any that may be loose. Be careful not to crush tubing when tightening!
- Inspect and check operation of all cables, cable ends, cord, rope, webbing, and strap or chain assemblies. Replace with factory new any item or assembly that shows signs of wear, damage, kinking, or functions incorrectly.
- Inspect seat. Replace any seat with factory new that shows signs of structural damage or wear.
- Inspect all hardware for wear or damage, also be sure you have no missing parts.
- Never modify your stand in any way by making repairs, replacing parts, or altering adding or attaching anything to it except if explicitly authorized in writing by the manufacturer.

## ASSEMBLY INSTRUCTIONS

Tools needed – two 7/16" wrenches

### IMPORTANT ASSEMBLY TIP:

**DO NOT TIGHTEN NUT & BOLT COMBINATIONS COMPLETELY UNTIL ALL PARTS ARE ASSEMBLED TOGETHER! FINGER TIGHTEN ONLY PLUS ONE TURN OF A WRENCH ONLY! THIS WILL TEMPORARILY HOLD THE LOCK NUT ON THE BOLT WHILE HELPING ALIGNMENT OF ALL PARTS! AFTER ALL PARTS ARE ASSEMBLED TOGETHER, ALL NUT & BOLT COMBINATIONS MUST BE COMPLETELY TIGHTENED!**

1. Attach the (4) uprights (TP162) to the platform using (4) provided 1/4-20 x 2" bolts, locknuts and washers. **SEE FIGURE 1. DO NOT tighten all nuts and bolts completely!**
2. Attach the (4) flat bar supports (AL7) to the inside of uprights using (4) provided 1/4-20 x 1-1/4" bolts and locknuts.
3. Attach the opposite end of flat bars supports to the platform using (4) provided 1/4-20 x 1-1/2" bolts and locknuts.
4. Insert the (2) curtain rails (TP161) into the (2) spanner tubes (TWR26) forming a square. Using (4) provided 1/4-20 x 1-1/4" bolts, locknuts and washers, secure the curtain rails and spanner tubes together.
5. Attach the assembled rail square to the outside of uprights using (4) provided 1/4-20 x 2" bolts, locknuts and washers. **You must now tighten all nut & bolt assemblies securely. DO NOT crush tubing when tightening!**
6. The side of curtain with numerous Velcro loops is the top side of curtain. Attach the top side of curtain to the curtain frame by wrapping all Velcro attachment points around metal tubing and securing together. Curtain should be positioned with zippered door on the front/center of your ladder for entry and exit purposes.
7. Once top of curtain is secured properly, pull the bottom edges of curtain down around the foot platform. The sewn-in elastic bungee will securely grab the lower corners of your platform. Attach remaining Velcro loops on bottom/back seam of curtain securely.

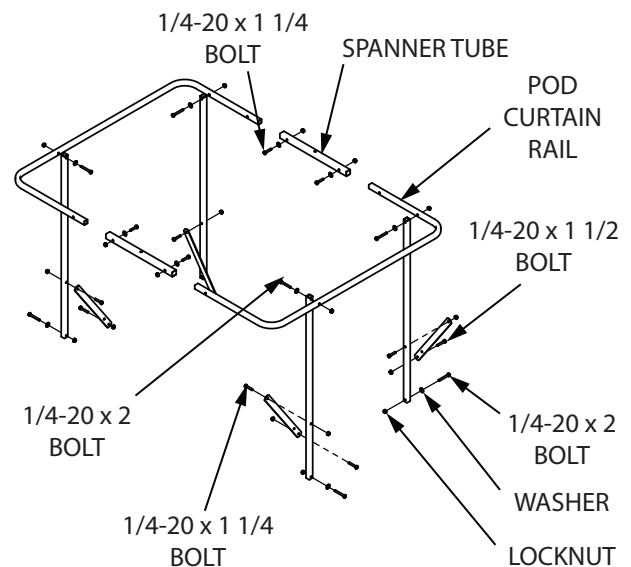
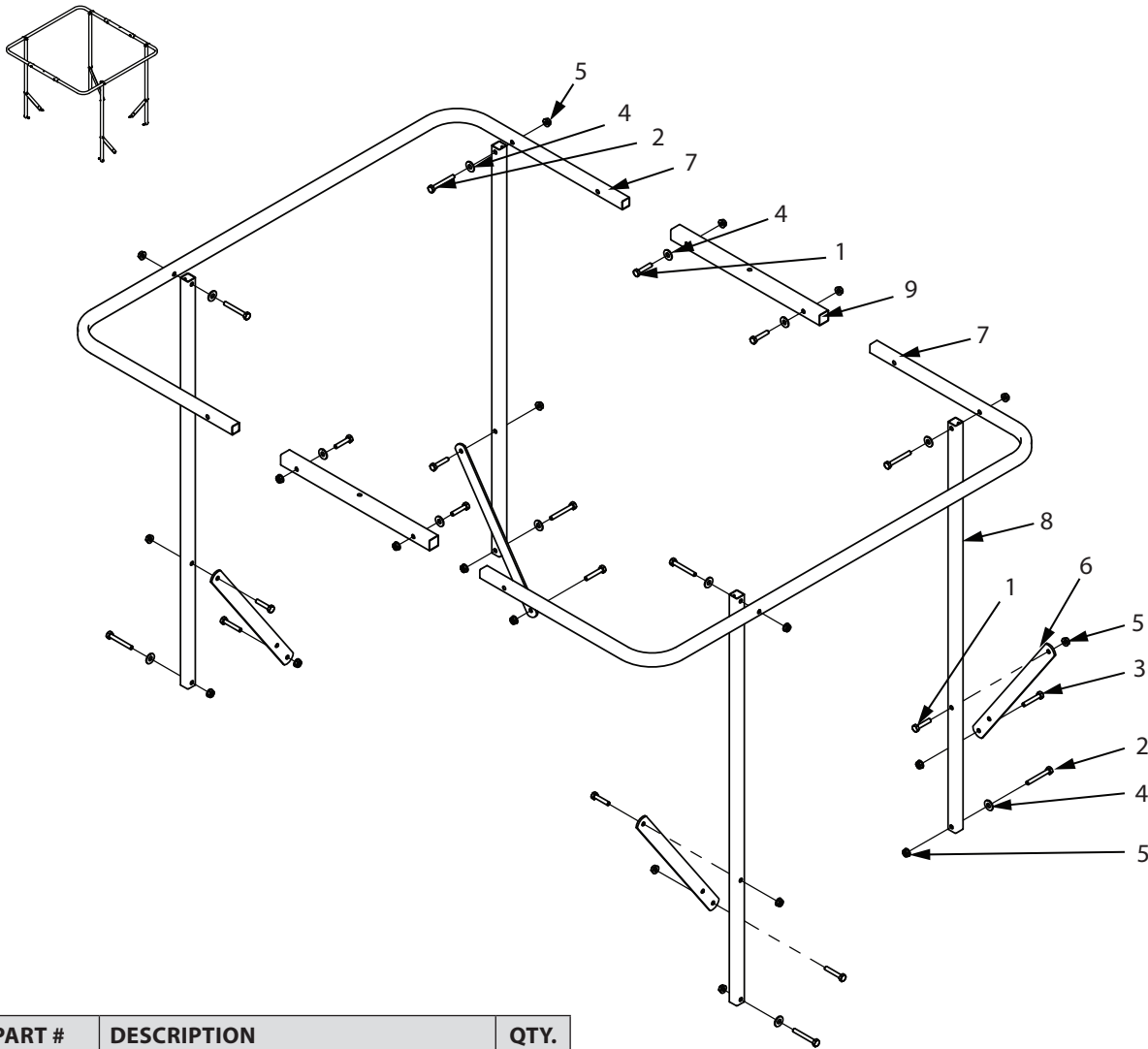


FIGURE 1

**ILLUSTRATED PARTS BREAKDOWN**



ITEM #	PART #	DESCRIPTION	QTY.
1	8909B	BOLT 1/4-20 X 1-1/4 HHCS GR5 BLK	8
2	48153B	BOLT 1/4-20 X 2 HHCS GR5 BLK	8
3	48240B	BOLT 1/4-20 X 1-1/2 HH GR5 BLK	4
4	48261B	WASHER, BLK 1/4	12
5	48752B	NUT, FLANGED TOP LOCK, 1/4-20	20
6	AL7	FOOT PLATFORM, SIDE SUPPORT	4
7	TP161	RAIL, POD CURTAIN	2
8	TP162	UPRIGHT RAIL, SHOOTING 33-1/4"	4
9	TWR26	TUBE, RAIL SPANNER	2





Rivers Edge® Treestands, Inc.  
1160 Eighth Avenue, PO Box 755  
Cumberland, WI 54829  
800-450-EDGE (3343) | Fax 715-822-2124  
Email: [info@huntriversedge.com](mailto:info@huntriversedge.com)

\*All weights, specifications and features are approximate and are subject to change without notice. Due to continuous product improvements, product images may not be exact. Warning labels in some product images may have been removed for photography purposes only. Props shown in photos not included. Some assembly may be required.