

WARNING

READ, UNDERSTAND AND FOLLOW ALL ASSEMBLY, INSPECTION, AND MAINTENANCE AND USE INSTRUCTIONS PROVIDED BEFORE EACH USE. FAILURE TO FOLLOW ALL WARNINGS AND INSTRUCTIONS COULD RESULT IN SERIOUS INJURY OR DEATH.

IF ANY INSTRUCTIONS ARE NOT UNDERSTOOD OR IF YOU HAVE A PARTS ISSUE CALL 800-450-3343 BEFORE USING.

DOUBLE CHECK ASSEMBLY STEPS TO BE CERTAIN YOU HAVE CORRECTLY ASSEMBLED THIS PRODUCT.

SHOOTING RAIL IS NOT DESIGNED TO SUPPORT ANY KIND OF HUMAN WEIGHT. DO NOT SIT ON, LEAN AGAINST, OR LEAN OUT OVER SHOOTING RAIL. USE AS A SHOOTING REST ONLY! BE AWARE THAT THE SHOOTING RAIL CAN SWING TO ONE SIDE OR THE OTHER.

MAKE SURE SHOOTING RAIL IS FULLY SEATED ON RAIL POST STUDS WHEN IN USE.

MAKE SURE SHOOTING RAIL IS SET OFF TO ONE SIDE (ON ONE STUD) WHEN ASCENDING OR DESCENDING THE LADDER.

Always:

- Read and understand all instructions before use, save for future reference.
- Inspect before each and every use to be sure there is no product damage or loose/missing bolts and hardware.

Never:

- Use this shooting rail to support any kind of human weight including sitting, leaning against and leaning out over.
- Use a damaged product.
- Use when intoxicated or using over-the-counter medication or prescription drugs.
- Use carelessly - You should Always Think Safety!

PARTS BREAKDOWN

ITEM #	PART #	DESCRIPTION	QTY
1	16291	FOAM SLEEVE (BLK 47")	1
2	15898	SHOOTING RAIL, WELDMENT	1
3	15408	TUBE SECTION, FLARED	2
4	16285	BOLT 1/4-20 X 1 1/4 (HH GR5 BLK)	2
5	(SMALL PARTS BAG	WASHER (1/4" FLAT BLK ZN)	2
6		SPACER (6.35X3.50 MM)	2
7	RE775)	LOCKNUT (1/4-20 HFNYLK BLK ZN)	4
8	15900	RAIL POST, LEFT	1
9	15905	RAIL POST, RIGHT	1

ASSEMBLY

1. Attach both flared tube sections (3) to either end of the shooting rail (2), using provided bolts (4), washers (5), spacers (6), and locknuts (7). **SEE FIGURE 1.**
2. Install the foam sleeve (1)(not shown) onto the shooting rail (2) and secure velcro.
3. Remove and discard the two originally installed locknuts on the front bolts for the armrests. **SEE FIGURE 2.**
4. Attach the left (8), and right (9), rail posts respectively on the originally installed front bolts for the armrests. Use locknuts (7) to secure. **SEE FIGURE 2.**

Note: The posts should be angled away from your Bowman ladder stand.

5. Place assembled shooting rail onto rail posts (8 & 9) for final use. **SEE FIGURE 2.**

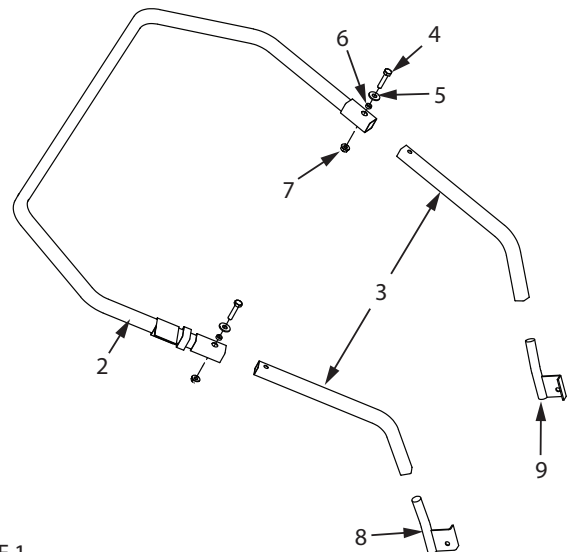


FIGURE 1

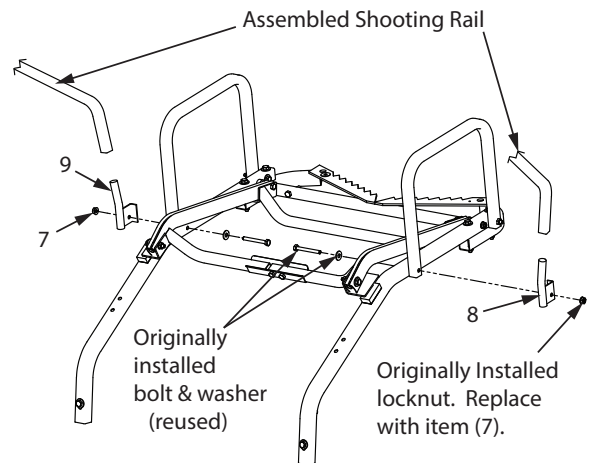


FIGURE 2

P/N: 16288
ECN: 10364
REV1: 03/7/14
© 2014 RETI
All Rights Reserved.

WARRANTY

Rivers Edge Tree Stands, Inc. ("RETI") offers a one year warranty for all components of the treestand. These warranties apply to the original owner with a proof of purchase. These warranties begin on the date of purchase by the first retail consumer and continue for the period specified above. These warranties apply to products that are not modified, abused or used in a manner that deviates from the product's intended usage. Minor fading in color is normal and is not covered by warranty. Any corrosion of painted surfaces that occurs as a result of paint being removed or damaged is also not covered by warranty. RETI offers no other warranty expressed or implied. Products for which warranty work has been approved must be sent directly to RETI and performed by RETI. **To obtain warranty service and/or replacement instructions, you must obtain prior approval from Rivers Edge® Treestands before shipping your package to us by calling our customer service department at 800-450-EDGE (3343) or by writing to: Rivers Edge Tree Stands, Inc., P.O. Box 755, 1160 Eighth Avenue, Cumberland, WI 54829 for a return material authorization number (RMA#).** All items must be shipped prepaid. RETI will, at no charge, repair or replace, in RETI's sole discretion, any product that satisfies the conditions stated above. RETI retains the right to change models, specifications and price without notice.

This equipment has been manufactured under strict quality and safety guidelines. As with any equipment of this type, full understanding of the instructions and its use is mandatory and imperative for the safety of its user. RETI is not responsible for any damages or injuries sustained due to improper use or modification of any of its products, or resulting from any use which deviates from the product's intended usage. RETI is not responsible for any injuries sustained due to failure to read and adhere to the instructions for use. Any misunderstanding or questions regarding the products of their use should be directed to RETI prior to any use. It is the owner's sole responsibility to inspect the product regularly for damage, improper installation, or conditions that could jeopardize the ultimate safety of the product. **Owner is responsible to understand and follow product field weight rating and must never exceed maximum weight rating.** RETI is not responsible for any malfunction or injury resulting from normal wear and tear, damage caused by improper use, improper maintenance, negligence or accidents. This product, if used safely as intended, will provide trouble free service for the useful life of the product. We hope you will enjoy the quality of our products for years to come, and have a safe hunt. **For replacement parts, phone 800-450-EDGE (3343) or go online to www.huntriversedge.com.**