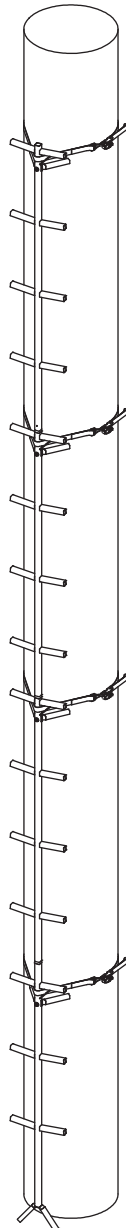




Operator's Manual  
**CONNECT-N-CLIMB™**  
**Climbing Aids**



**INCLUDES MODEL #'s:**

RE723, 20' CONNECT-N-CLIMB

RE724, 15' CONNECT-N-CLIMB

RE725, 5' CONNECT-N-CLIMB EXTENSION

**Wear Your  
Harness!**



Certified to TMA  
Standards by an  
Independent  
Testing Laboratory

**Maximum Height - 20'**

**Maximum Field Rating - 300 lb**

**Tree Diameter Range - 8" to 20"**

Get parts online at  
[www.HuntRiversEdge.com](http://www.HuntRiversEdge.com)



P/N: 17543  
REV1: 01/27/14  
© 2014 RETI  
All Rights Reserved.

## INTRODUCTION

Rivers Edge® Treestands are engineered with you the hunter in mind. We appreciate your purchase of one of our world class treestands. Follow these few simple instructions and your stand will provide you many years of trouble-free pleasure. Instructions should be kept in a safe place and reviewed at least annually.

If for any reason you have a problem with your product, **DO NOT return to the retailer**, contact the Rivers Edge® customer service department at 800-450-EDGE (3343) for assistance.

## CONTENTS

Introduction and Warranty .....	2
Warnings.....	3-4
Inspection and Maintenance .....	4
Assembly Instructions .....	5
Set-Up and Use Instructions.....	5
Parts Explosion/Parts List .....	6-7

### WARRANTY

Rivers Edge Tree Stands, Inc. ("RETI") offers a one year warranty for all components of the treestand. These warranties apply to the original owner with a proof of purchase. These warranties begin on the date of purchase by the first retail consumer and continue for the period specified above. These warranties apply to products that are not modified, abused or used in a manner that deviates from the product's intended usage. Minor fading in color is normal and is not covered by warranty. Any corrosion of painted surfaces that occurs as a result of paint being removed or damaged is also not covered by warranty. RETI offers no other warranty expressed or implied. Products for which warranty work has been approved must be sent directly to RETI and performed by RETI. **To obtain warranty service and/or replacement instructions, you must obtain prior approval from Rivers Edge® Treestands before shipping your package to us by calling our customer service department at 800-450-EDGE (3343) or by writing to: Rivers Edge Tree Stands, Inc., P.O. Box 755, 1160 Eighth Avenue, Cumberland, WI 54829 for a return material authorization number (RMA#).** All items must be shipped prepaid. RETI will, at no charge, repair or replace, in RETI's sole discretion, any product that satisfies the conditions stated above. RETI retains the right to change models, specifications and price without notice.

This equipment has been manufactured under strict quality and safety guidelines. As with any equipment of this type, full understanding of the instructions and its use is mandatory and imperative for the safety of its user. RETI is not responsible for any damages or injuries sustained due to improper use or modification of any of its products, or resulting from any use which deviates from the product's intended usage. RETI is not responsible for any injuries sustained due to failure to read and adhere to the instructions for use. Any misunderstanding or questions regarding the products of their use should be directed to RETI prior to any use. It is the owner's sole responsibility to inspect the product regularly for damage, improper installation, or conditions that could jeopardize the ultimate safety of the product. Failure to use or improper use of a Fall Arrest System may result in serious injury or death. **ALWAYS wear a Fall Arrest System while using this product. Owner is responsible to understand and follow product field weight rating and must never exceed maximum weight rating.** RETI is not responsible for any malfunction or injury resulting from normal wear and tear, damage caused by improper use, improper maintenance, negligence or accidents. This product, if used safely as intended, will provide trouble free service for the useful life of the product. We hope you will enjoy the quality of our products for years to come, and have a safe hunt.

**For replacement parts, phone 800-450-EDGE (3343) or go online to [www.HuntRiversEdge.com](http://www.HuntRiversEdge.com).**

## WARNINGS

### **WARNING**

YOU MUST PURCHASE AND ALWAYS USE A FULL BODY HARNESS (FALL ARREST SYSTEM) WITH A CLIMBING BELT THAT MEETS TMA STANDARDS WHILE USING THIS PRODUCT. SINGLE SAFETY BELTS AND CHEST HARNESSES ARE NO LONGER ALLOWED AND SHOULD NEVER BE USED.

IF YOU ARE NOT WEARING A FULL BODY HARNESS WITH A CLIMBING BELT THAT IS PROPERLY ATTACHED TO THE TREE THAT IS PROTECTING YOU FROM A FALL, DO NOT LEAVE THE GROUND.

FAILURE TO USE OR IMPROPER USE OF A FULL BODY HARNESS (FALL ARREST SYSTEM) WITH A CLIMBING BELT THAT MEETS TMA STANDARDS MAY RESULT IN SERIOUS INJURY OR DEATH! READ, UNDERSTAND AND FOLLOW ALL INSTRUCTIONS. IF ANY INSTRUCTIONS ARE NOT UNDERSTOOD OR IF YOU HAVE A PARTS ISSUE CALL 800-450-EDGE (3343) BEFORE USING.

READ, UNDERSTAND AND FOLLOW ALL ASSEMBLY, INSPECTION, MAINTENANCE, & USE INSTRUCTIONS PROVIDED BEFORE EACH USE. FAILURE TO FOLLOW ALL WARNINGS AND INSTRUCTIONS COULD RESULT IN SERIOUS INJURY OR DEATH.

READ AND PERFORM ALL INSPECTION AND MAINTENANCE TASKS BEFORE EACH AND EVERY USE. REPLACE ANY QUESTIONABLE COMPONENTS IMMEDIATELY WITH RIVERS EDGE ORIGINAL REPLACEMENT PARTS. DO NOT LEAVE YOUR STAND OUTDOORS - REMOVE AFTER EACH USE AND STORE INDOORS!

INSTRUCTIONS SHOULD BE KEPT IN A SAFE PLACE AND REVIEWED AT LEAST ANNUALLY. IT IS THE RESPONSIBILITY OF THE TREESTAND OWNER TO FURNISH THE COMPLETE INSTRUCTIONS TO ANY PERSON THAT WHO BORROWS OR PURCHASES THE TREESTAND.

DOUBLE CHECK ASSEMBLY STEPS TO BE CERTAIN YOU HAVE CORRECTLY ASSEMBLED THIS PRODUCT.

DO NOT CRUSH TUBING WHEN TIGHTENING BOLT ASSEMBLIES! IDENTIFY AND FAMILIARIZE YOURSELF WITH ALL PARTS BEFORE YOU START.

DO NOT EXCEED THE TOTAL FIELD RATING- 300 LB.

NEVER USE ANY PRODUCT THAT HAS NOT BEEN MAINTAINED OR INSPECTED PROPERLY - YOUR LIFE DEPENDS ON IT!

WHEN HUNTING FROM A TREESTAND, FALLS CAN OCCUR ANY TIME AFTER LEAVING THE GROUND CAUSING INJURY OR DEATH.

NEVER ATTACH TO A DEAD, ODD-SHAPED, LEANING, DISEASED, LOOSE-BARKED TREE OR UTILITY POLES.

### **WARNING**

REPLACE ANY AND ALL TREESTAND STRAPS EVERY TWO YEARS OR WHEN ANY SIGNS OF DAMAGE OR WEAR EXIST BEFORE.

BE SURE TO RAISE AND LOWER YOUR WEAPON OR GEAR WITH A HAUL LINE. GUN BARREL END OR ARROW TIPS MUST BE POINTED DOWN - AWAY FROM YOU.

ALL ASSEMBLY MUST BE DONE IN THIS ORDER AT GROUND LEVEL BEFORE SETUP AND USE.

STUDY YOUR NEW CLIMBING AID TO BECOME FAMILIAR WITH ALL OF ITS FEATURES AND DESIGN. AT GROUND LEVEL, FOLLOWING PROVIDED USE INSTRUCTIONS, PRACTICE ATTACHING CLIMBING AID TO TREE AND REMOVING FROM TREE BEFORE ATTACHING OVERHEAD. SAVE THESE INSTRUCTIONS FOR FUTURE REFERENCE. PROPERLY USE A FULL BODY HARNESS (FALL ARREST SYSTEM) WITH A CLIMBING BELT THAT MEETS TMA STANDARDS AT ALL TIMES INCLUDING ASCENDING TO AND DESCENDING FROM A TREESTAND.

SECTIONAL LADDERS AND STEPS SHOULD BE SPACED ON THE TREE TO INSURE EACH STEP IS NO MORE THAN 18-INCHES APART.

CHECK EVERY STICK LADDER SECTION CONNECTION EVERY TIME YOU USE THE STICK LADDER BEFORE YOU LEAVE THE GROUND. IF STICK LADDER SECTIONS ARE SEPARATING, DO NOT USE THE STICK LADDER.

BE CERTAIN TO ALWAYS LEAN FORWARD, TOWARD THE TREE WHEN ASCENDING OR DESCENDING CLIMBING AID.

ALWAYS HAVE THREE POINTS OF CONTACT WHILE CLIMBING STICK.

NEVER HOLD ONTO ANY SECTION OR PULL ON ANY SECTION THAT IS NOT SECURELY ATTACHED TO THE TREE WITH THE PROVIDED STRAP AND BUCKLE.

ALWAYS ATTACH THE CAM STRAP ASSEMBLY SO THE SPRING LOADED CAM LEVER OF THE STRAP IS FACING AWAY FROM THE TREE. NEVER TOUCH THE CAM LEVER WHILE PUTTING WEIGHT ON THE STICK AND/OR CLIMBING THE STICK AS THIS COULD POTENTIALLY RELEASE THE STRAP AND REMOVE THAT SECTION FROM THE TREE.

A FULL BODY HARNESS WITH LINEMAN'S/CLIMBING BELT MUST BE WORN AT ALL TIMES WHILE INSTALLING OR REMOVING ANY HANG-ON CLIMBING AIDS.

## WARNING

**HANG-ON CLIMBING AIDS MUST BE PLACED ON THE TREE AT A HEIGHT ABOVE THE PLATFORM WHERE THE USER CAN MAINTAIN A HANDHOLD OF THE UNIT AND STEP DOWNWARDS ONTO THE TREESTAND. NEVER STEP UP FROM A CLIMBING DEVICE TO GET INTO YOUR STAND.**

**WHEN USING A CLIMBING/LINEMAN'S BELT TO ASCEND THE TREE, THE FULL BODY HARNESS TETHER SHOULD BE ATTACHED TO THE TREE BEFORE STEPPING DOWN ONTO THE TREESTAND.**

**NEVER JUMP OR BOUNCE ON A CLIMBING AID TO SEAT IT TO THE TREE.**

**LUBRICATION IS HIGHLY RECOMMENDED AT SLIDE TOGETHER POINTS OF EACH SECTION TO PREVENT BINDING. SECTIONS ARE STACKED TOGETHER BY SLIDING SECTIONS TOGETHER, INSIDE OF EACH OTHER.**

**BE SURE SECTIONS ARE SEATED COMPLETELY TOGETHER ON SWEDGED ENDS OF PIPE.**

**DO NOT UNDER ANY CIRCUMSTANCES EXCEED THE MAXIMUM USAGE HEIGHT OF 20'. 5' EXTENSIONS CAN ONLY BE USED WITH 15' CLIMBING AIDS.**

**BOTTOM OF ASSEMBLED CLIMBING AID MUST ALWAYS TOUCH GROUND DURING USE. NEVER POSITION CLIMBING AID SO THE BOTTOM IS NOT TOUCHING THE GROUND.**

## ALWAYS...

- Be physically fit, mentally alert, and well rested before using this product.
- Read, understand and follow all warnings and instructions before use, save for future reference.
- Use a Full Body Harness (Fall Arrest System) with a climbing belt that meets TMA standards at all times including ascending to and descending from a treestand.
- Be fully aware of foot placement.
- Recommended for adult use only.
- Inspect for missing parts, all hardware condition, and damage before every application, replace if necessary.
- Remove after every use, store product indoors.
- Use only Rivers Edge original replacement parts.
- Lean forward, toward tree, when ascending or descending climbing aid.
- Place climbing aid on dry, level ground.
- Lubricate all slide together points with powder graphite to prevent binding, wear, rust & noise.
- Avoid all electrical power lines.
- Inform someone of the hunting location, where the treestand will be located and the expected duration of the hunt.
- Carry a signal device such as a mobile phone, radio, whistle, signal flare or personal locator device (PLD) and it must be readily available at all times.
- Inspect the climbing aid/treestand and all safety devices each time before use and do not store outdoors when not in use.

## INSPECTION AND MAINTENANCE SCHEDULE

### FOR ALL RIVERS EDGE PRODUCTS

- Inspect all webbing, rope, cord, and strap assemblies for wear or damage.
- Inspect cables and cable ends for damage or kinking.
- Inspect all hardware and chain components for damage.
- Inspect for any structural damage to product. (Return to factory for repair or discard product if any damage is found.)
- Inspect all nut and bolt assemblies to be certain none are loose.
- Inspect for any missing parts.
- Lubricate all pivot and slide together points with powder graphite to prevent noise, wear, and rust.
- Inspect entire product for any rust, corrosion, cracks, freezing, excessive heat, or rotting damage that may effect the safety of your product. Discard any questionable product.
- Inspect entire product for any structural damage - pay close attention to all weld locations. (Return to factory for repair or discard product if any damage is found.)
- Using correct wrenches inspect all nut & bolt assembly locations and snug up any that may be loose. Be careful not to crush tubing when tightening!
- Inspect and check operation of all cables, cable ends, cord, rope, webbing, and strap or chain assemblies. Replace with factory new any item or assembly that shows signs of wear, damage, kinking, or functions incorrectly.
- Inspect seat. Replace any seat with factory new that shows signs of structural damage or wear.
- Inspect all hardware for wear or damage, also be sure you have no missing parts.
- Never modify your treestand in any way by making repairs, replacing parts, or altering adding or attaching anything to it except if explicitly authorized in writing by the manufacturer.

## NEVER...

- Exceed maximum usage height of 20'.
- Sleep in a treestand.
- Use on wet, soft, or unstable ground.
- Exceed the total field rating of 300 lbs.
- Attach to a dead, odd-shaped, leaning, diseased, loose-barked tree or utility pole.
- Use on trees with a diameter smaller than 8 inches or larger than 20 inches.
- Use a climbing aid/treestand during inclement weather such as rain, lightning, windstorms or icy conditions and end your hunt and return to the ground if inclement conditions arise.
- Carry gun or bow when ascending or descending.
- Alter the original design of your climbing aid.
- Jump on or use in a careless manner.
- Lean out over edge of device.
- Use when intoxicated or using over-the-counter medication or prescription drugs.
- Use a climbing aid/treestand when feeling ill, nauseous or dizzy, or if you have a prior medical condition that could cause a problem (i.e. heart condition, joints that lock up, spinal fusions, etc.) or if you are not well rested.
- Rely on a tree branch for support.
- Use a damaged product, replace with new.
- Loan your climbing aid to someone else.

## ASSEMBLY INSTRUCTIONS

Tools Needed- two 7/16" wrenches

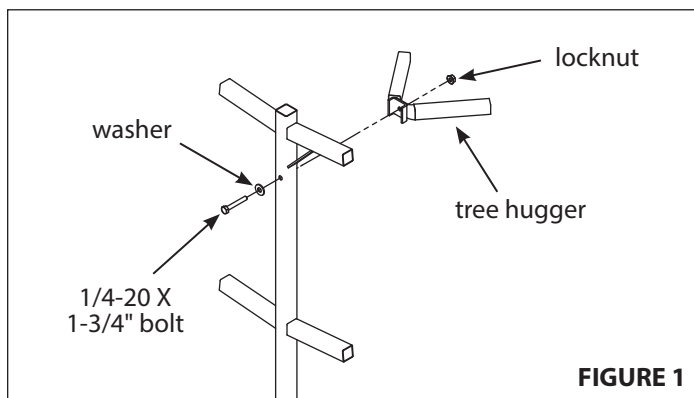
1. Attach one tree hugger (17558) to each stick section using (1) provided 1/4-20 x 1-3/4" bolt, 1/4" washer and locknut to each section. **Tighten all nut and bolt assemblies. Be sure not to over tighten or crush tubing when tightening! SEE FIGURE 1**

2. Sections are assembled on the ground in the following order; bottom section (17511); middle section (17512); top section (17513). Assembly is done by inserting the male (crimped) top end of each section into the female end of next section.

**SEE FINISHED CONNECT-N-CLIMB**

**NOTE: On 20' model, a second middle section (17512) is inserted between bottom and top section. SEE FINISHED CONNECT-N-CLIMB.**

**NOTE: If you purchased the optional 5' Extension (Model RE725), it is to be inserted between top and bottom sections. Extensions are the same design as the middle section that came with a complete 15' Connect-N-Climb.**



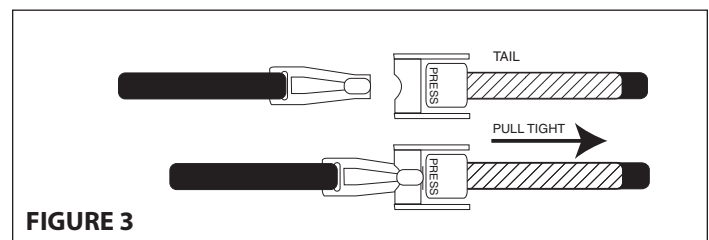
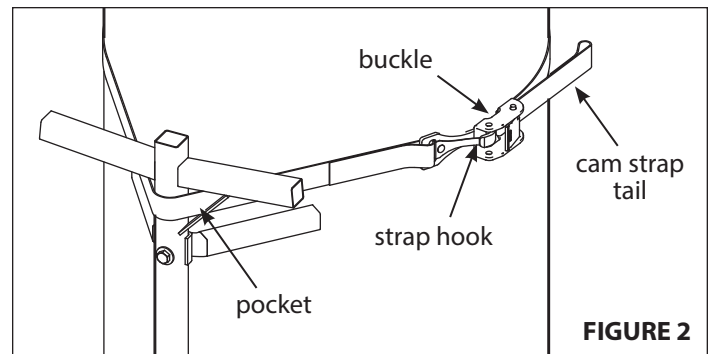
## SET-UP AND USE INSTRUCTIONS

1. Stand the assembled Connect-N-Climb up against a selected straight tree on dry, level ground. Feed the strap assembly through the "pocket" of bottom stick section. **SEE FIGURE 2**
2. Wrap entire cam strap assembly (48748) around tree. Connect snap hook to the buckle. Pull tail of cam strap tight so that the section is snugly secured to the tree. **SEE FIGURES 2 AND 3.** Be certain (2) contact points of tree hugger are contacting tree.

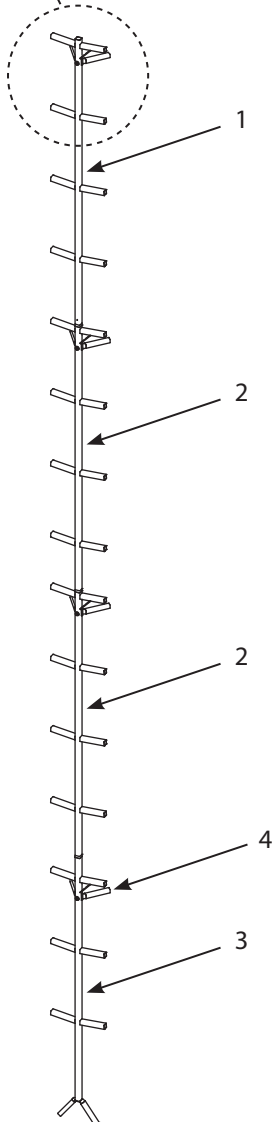
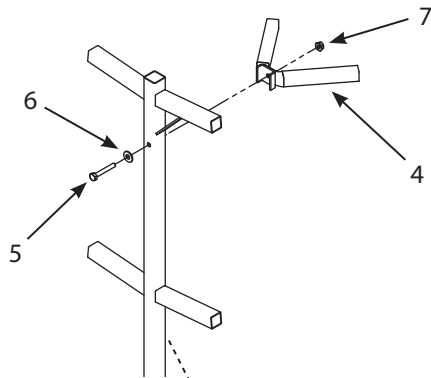
**NOTE: Make sure you feed the long strap correctly so there are no twists in the strap.**

**NOTE: Be sure you have attached the cam strap in such a way that the lever of cam buckle will not face the tree when attached to the tree during use.**

3. While properly wearing/using a Full Body Harness with a lineman's/climbing belt, climb the Connect-N-Climb only far enough to reach and attach the second section strap and properly secure it to the tree following the same instructions written in STEPS 1 and 2. Repeat strap attachment for each section until all sections are securely attached. You must work from the bottom strap up to the top strap, **DO NOT** skip any straps! Make sure you always and properly wear/use a Full Body Harness with a lineman's/climbing belt while attaching and detaching this product!
4. Reverse setup and use instructions to remove Connect-N-Climb from the tree.



**20' CONNECT-N-CLIMB PARTS  
MODEL RE723**

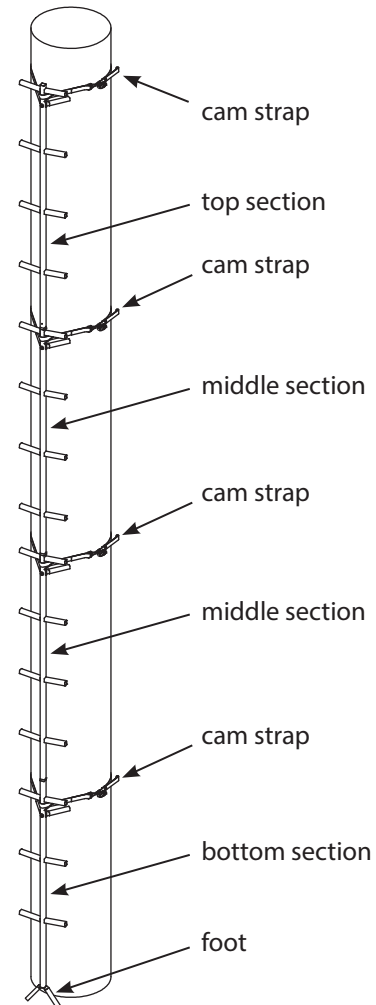


**20' CONNECT-N-CLIMB PARTS LIST**

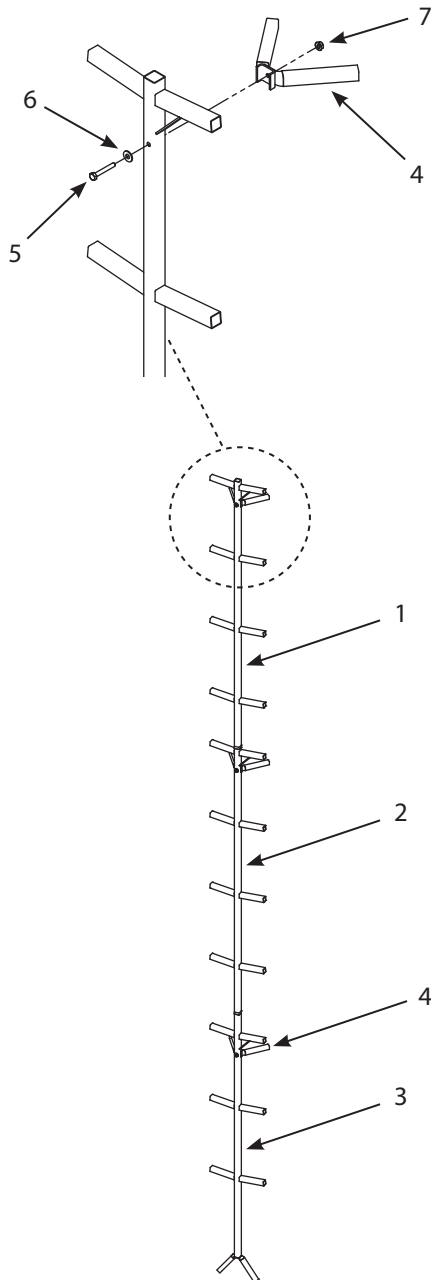
KEY #	PART #	DESCRIPTION	QTY.
1	17513	TOP STICK SECTION	1
2	17512	MIDDLE STICK SECTION	2
3	17511	BOTTOM STICK SECTION	1
4	17558	TREE HUGGER	4
5	48250B	BOLT 1/4-20 X 1-3/4" BLK ZN	4
6	48261B	WASHER 1/4" FLAT BLK ZN	4
7	48752B	NUT 1/4-20 FLANGE NYLOCK BLK ZN	4
-	48748	STRAP WITH CAM & SNAP HOOK	4

**NO EXTENSIONS AVAILABLE FOR THIS MODEL,  
TESTED FOR 20' MAXIMUM HEIGHT!**

**FINISHED CONNECT-N-CLIMB (20')**



**15' CONNECT-N-CLIMB PARTS  
MODEL RE724**



**15' CONNECT-N-CLIMB PARTS LIST**

KEY #	PART #	DESCRIPTION	QTY.
1	17513	TOP STICK SECTION	1
2	17512	MIDDLE STICK SECTION	1
3	17511	BOTTOM STICK SECTION	1
4	17558	TREE HUGGER	3
5	48250B	BOLT 1/4-20 X 3" HH BLK ZN	3
6	48261B	WASHER 1/4" FLAT BLK ZN	3
7	48752B	NUT 1/4-20 FLANGE NYLOCK BLK ZN	3
-	48748	STRAP WITH CAM & SNAP HOOK	3

**5' EXTENSION (RE710) AVAILABLE FOR THIS MODEL,  
TESTED FOR 20' MAXIMUM HEIGHT!**

**5' CONNECT-N-CLIMB EXTENTION PARTS LIST  
MODEL 725**

KEY #	PART #	DESCRIPTION	QTY.
2	17512	MIDDLE STICK SECTION	1
4	17558	TREE HUGGER	1
5	48250B	BOLT 1/4-20 X 3" HH BLK ZN	1
6	48261B	WASHER 1/4" FLAT BLK ZN	1
7	48752B	NUT 1/4-20 FLANGE NYLOCK BLK ZN	1
-	48748	STRAP WITH CAM & SNAP HOOK	1

**5' EXTENSION (MODEL RE725), IT IS TO BE INSERTED  
BETWEEN TOP AND BOTTOM SECTIONS. EXTENSIONS ARE  
THE SAME DESIGN AS THE MIDDLE SECTION THAT CAME  
WITH A COMPLETE 15' CONNECT-N-CLIMB.**



Rivers Edge® Treestands, Inc.  
1160 Eighth Avenue, PO Box 755  
Cumberland, WI 54829  
800-450-EDGE (3343) | Fax 715-822-2124  
Email: [info@huntriversedge.com](mailto:info@huntriversedge.com)