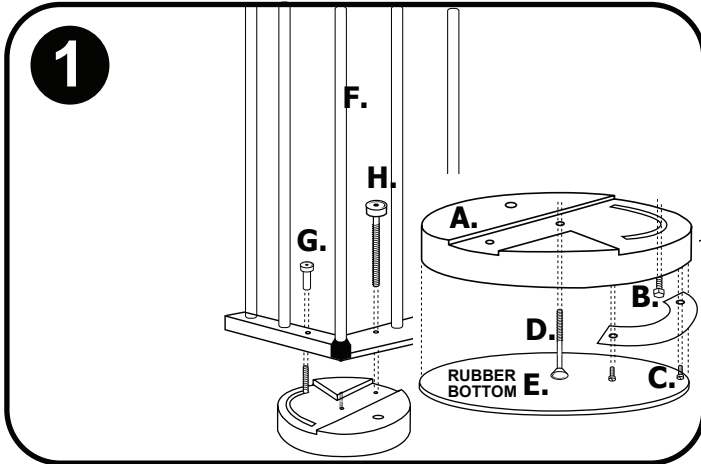
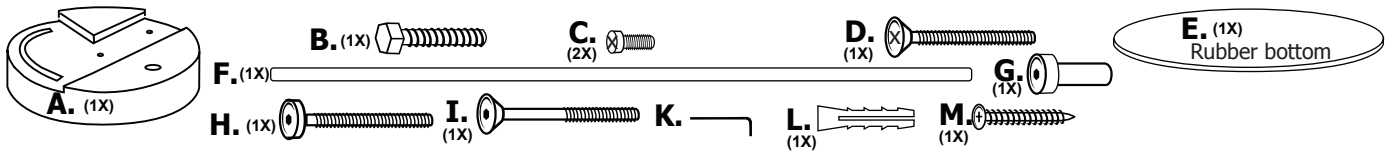


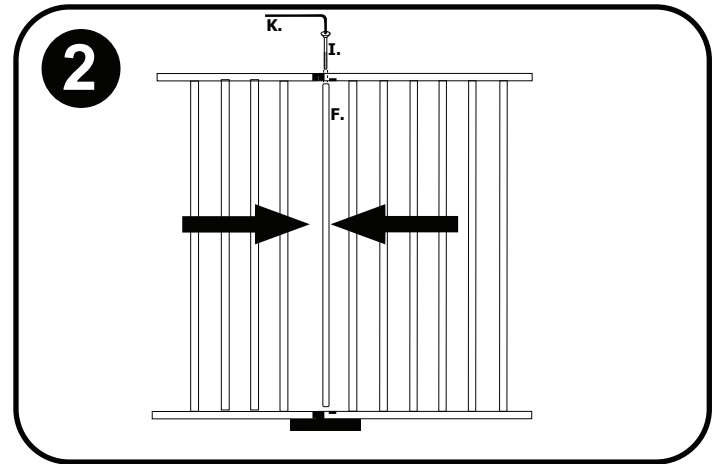
VERSAGATE EXTENSION

ASSEMBLY INSTRUCTIONS

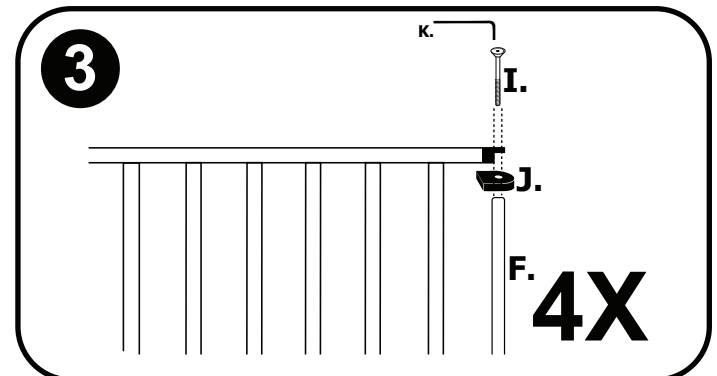


1 Assemble Round Feet First
 Thread bolt B through crescent shape, thread up
 Cover opening of crescent plate with screws C
 Thread bolt D through middle of foot
 Cover foot assembly with rubber bottom E

Connect Extension
 Place extension next to finished gate assembly
 Thread Rod F into screw D
 Secure foot to gate with screw cap G into screw B
 Secure extension to foot with screw H



2 Secure upper portion of rod F to gate with screw B



3 Add end caps J (VG65 hardware bag) to ends of extensions.

CARDINAL GATES

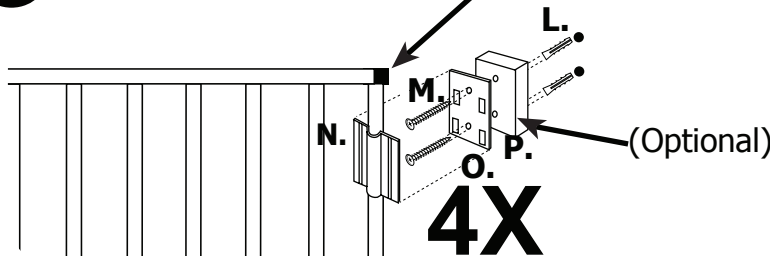
If it's a Cardinal It's the Best!

79 Amlajack Way • Newnan, GA 30265
 800-318-3380
www.cardinalgates.com

4 WALL MOUNTING

FOR GREATER STABILITY
 MOUNT AS CLOSE TO TOP AND
 BOTTOM OF GATE AS POSSIBLE.

USE PARTS FROM VG-65



(Optional) For baseboards, add optional spacer (P) between wall bracket and wall at top of gate to compensate for base boards.

! WARNING: TO PREVENT SERIOUS INJURY OR DEATH, SECURELY INSTALL GATE OR ENCLOSURE AND USE ACCORDING TO MANUFACTURER'S INSTRUCTIONS. NEVER USE WITH A CHILD ABLE TO CLIMB OVER OR DISLODGE/OPEN THE GATE ENCLOSURE. NEVER LEAVE CHILD UNATTENDED. USE ONLY WITH THE LOCKING/LATCHING MECHANISM SECURELY ENGAGED. INTENDED FOR USE WITH CHILDREN FROM 6 MONTHS - 24 MONTHS. THIS PRODUCT WILL NOT PREVENT ALL ACCIDENTS. TO PREVENT FALLS, NEVER USE AT TOP OF STAIRS

! MISE EN GARDE: INSTALLER CONFORMÉMENT AUX INSTRUCTIONS DU FABRICANT. DESTINE AUX ENFANTS DE 6 À 24 MOIS. CET ARTICLE NE PRÉVIENT PAS NÉCESSAIREMENT TOUS LES ACCIDENTS. NE JAMAIS LAISSER L'ENFANT SANS SURVEILLANCE.