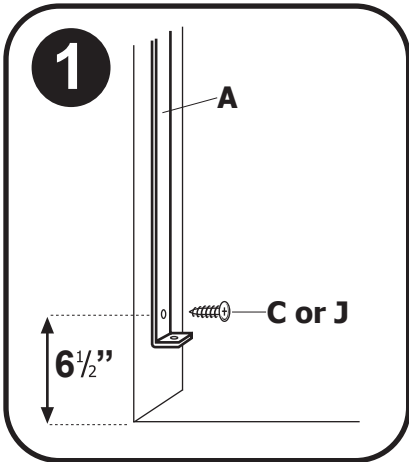
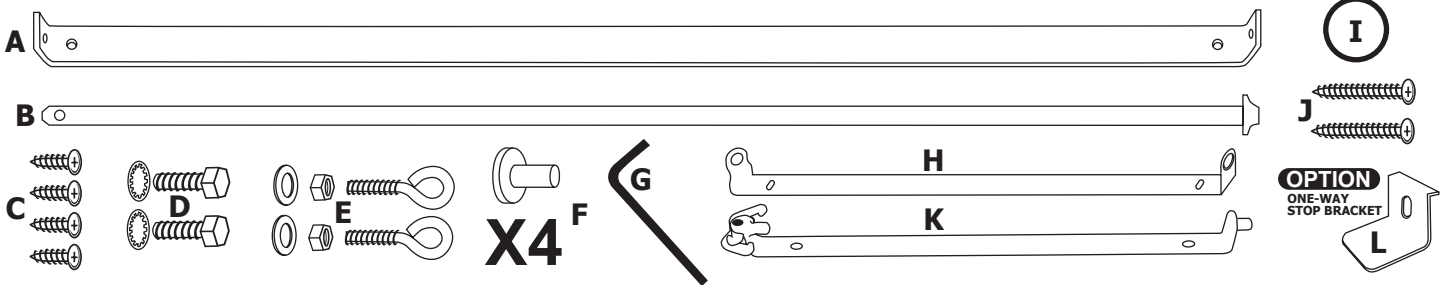


WOOD GATE - MODEL WG35

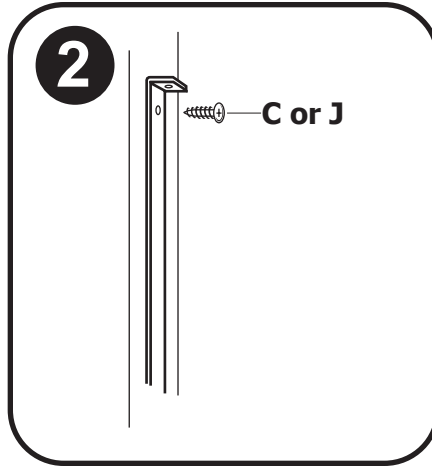
FOR OPENINGS 29.5" (75cm) - 49.25" (125cm)

ASSEMBLY INSTRUCTIONS

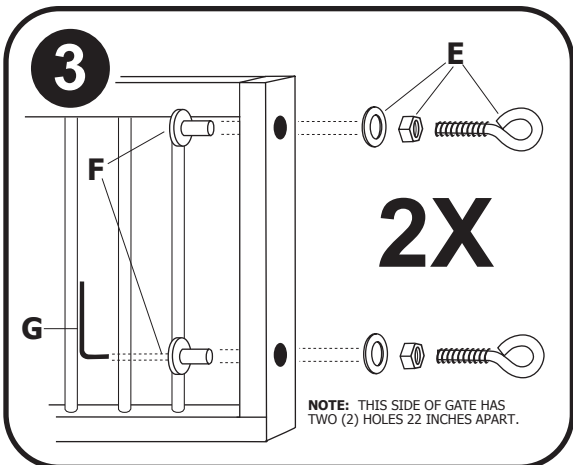


1. Install hinge bracket (A) to wall (stationary side of gate) using Phillips screw (C) beginning 6 1/2" above floor surface. (Use ruler on left edge of this sheet to measure from floor).

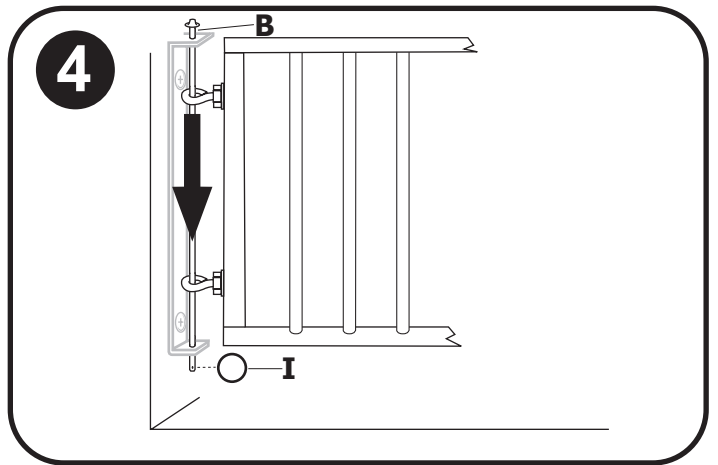
OPTION: Long screws (J) maybe be used to attach gate to stud through dry wall.



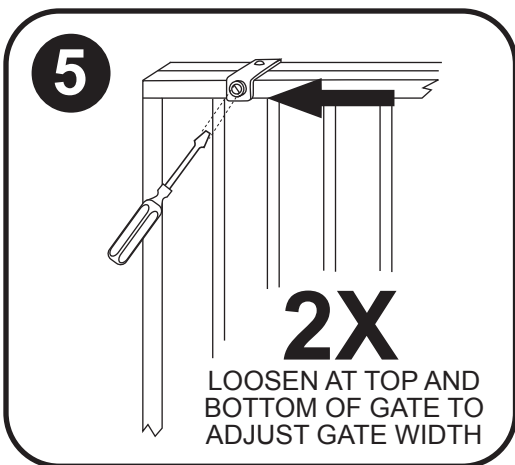
2. Install second screw (C) in top of hinge bracket securing it to the wall.



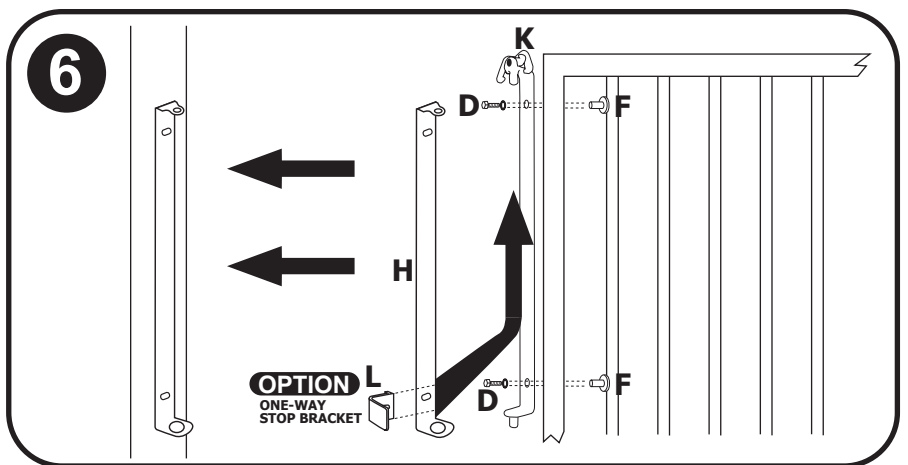
3. Insert eye bolts with nut and washer (E) through gate into threaded inserts (F). (side with two holes, 22 inches apart). Use Allen wrench (G) to assist in tightening to insure nuts are tight.



4. Hang gate by inserting hinge rod (B), through top of mounted hinge bracket (A), through both eye bolts (E), and finally through bottom of hinge bracket. To secure hinge, insert key ring (I) through hole in end of hinge rod. Gate can be mounted at angles up to 30 degrees.

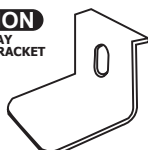


5. Use flat head screwdriver to loosen bracket screws to adjust gate to fit desired width and tighten bracket screws. **DO NOT OVERTIGHTEN.**



6. Mount latch assembly (K) to gate using 3/4" bolts with serrated washers (D) and threaded inserts (F). Attach wall mount for latch assembly (H) up into part (K) that is now secure on gate. Slide gate out to mark holes for (K) on attaching wall. (*OPTIONAL ONE WAY BRACKET INSTALLED HERE) Then attach the wall mount of latch assembly to wall using Phillips head screws (C).

OPTION
ONE-WAY
STOP BRACKET



IF GATE IS INSTALLED AT TOP OF STAIRCASE: Install one-way stop bracket (L) on one side of wall mount latch to have gate open in only one direction for maximum safety.

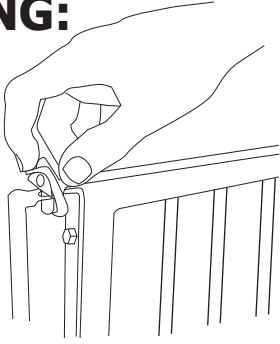
**SEE REVERSE
FOR GATE
OPERATION
INSTRUCTIONS**

WARNING: GATE IS RECOMMENDED FOR CHILDREN BETWEEN 6 AND 24 MONTHS. TO PREVENT SERIOUS INJURY OR DEATH, SECURELY INSTALL GATE OR ENCLOSURE AND USE ACCORDING TO MANUFACTURER'S INSTRUCTIONS. NEVER USE WITH A CHILD ABLE TO CLIMB OVER OR DISLodge/OPEN THE GATE ENCLOSURE. NEVER LEAVE CHILD UNATTENDED. USE ONLY WITH THE LOCKING/LATCHING MECHANISM SECURELY ENGAGED.

GATE OPERATION

FOR OPENING:

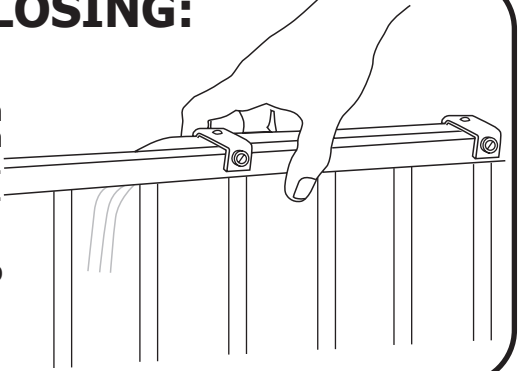
When approaching gate, if latch is to your left, use right hand. Depress flip latches simultaneously with thumb and index finger while lifting gate with remaining fingers of hand.



REMEMBER: Latch to right, use left hand; latch to left, use right hand

FOR CLOSING:

Grasp gate in middle. Lift gate and align latch pins with bracket holes. Drop in place. There is no need to close gate using flip latches.



GATE MAINTENANCE

To clean, rinse with lukewarm water, wash gently with mild soap or detergent and lukewarm water, using a soft cloth or sponge. Rinse again. Dry with a soft cloth or sponge to prevent water spotting. **DO NOT SCRUB** or use brushes or squeegees.

GATE CARE & REMINDERS

At **CARDINAL GATES, INC.**, we design what we believe to be the very best, and most user friendly gates available. Our gates are built to last many years with proper use and care. Here are a few suggestions...

- Close gates gently - do not slam - to prevent damage to latch mechanism.
- When closing, be sure safety bracket on gate frame engages as depicted in instructions.
- For safety, always close gate when not in use. Children should not be allowed to swing on an open gate as this can damage hinge mount.
- Periodically check all screws, bolts, etc. for security and proper adjustment.

CARDINAL GATES, INC., offers many accessories such as extensions, stair kits, and other safety products. Check with your dealer or call **CARDINAL GATES, INC.** at 1-800-318-3380.

We sincerely hope that you thoroughly enjoy many years of service from your **CARDINAL GATE**.

GATE WARRANTY

Your Cardinal Gate is warranted to be free of manufacturing defects for a period of one year from the date of purchase when used in homes, and according to manufacturers instructions. When used commercially, such as day care centers, the warranty is 90 days.

Cardinal Gates, Inc. will either repair or replace, at our option, any parts necessary to correct defects in material or workmanship during the warranty period. The warranty disclaims liability for incidental, special and consequential damages of any nature.

TO EXERCISE WARRANTY:

Ship your gate in a protective carton, freight prepaid to:
CARDINAL GATES, INC.
79 Amlajack Way
Newnan, GA 30265

You must include the following:

1. Proof of purchase (store receipt, etc.).
2. Brief note describing problem with gate.
3. Full return address along with phone number.

FOR FURTHER ASSISTANCE

Call 1-800-318-3380

CARDINAL GATES

If it's a Cardinal, It's the Best!

79 Amlajack Way
Newnan, GA 30265
770-252-4200
www.cardinalgates.com