

# MEGRIND55

## Electric Meat Grinder

### Assembly & Operating Instructions



READ ALL INSTRUCTIONS AND WARNINGS BEFORE USING THIS PRODUCT.

This manual provides important information on proper operation & maintenance. Every effort has been made to ensure the accuracy of this manual. These instructions are not meant to cover every possible condition and situation that may occur. We reserve the right to change this product at any time without prior notice.

IF THERE IS ANY QUESTION ABOUT A CONDITION BEING SAFE OR UNSAFE, DO NOT OPERATE THIS PRODUCT!

HAVE QUESTIONS OR PROBLEMS? DO NOT RETURN THIS PRODUCT TO THE RETAILER - CONTACT CUSTOMER SERVICE.

If you experience a problem or need parts for this product, visit our website <http://www.buffalotools.com> or call our customer help line at **1-888-287-6981, Monday-Friday, 8 AM - 4 PM Central Time**. A copy of the sales receipt is required.

FOR CONSUMER USE ONLY - NOT FOR PROFESSIONAL USE.

KEEP THIS MANUAL, SALES RECEIPT & APPLICABLE WARRANTY FOR FUTURE REFERENCE.

## TABLE OF CONTENTS

### SAFETY ALERTS

RECOGNIZE SAFETY SYMBOLS, WORDS AND LABELS .....2

### GENERAL PRODUCT SPECIFICATIONS

FEATURES, CONTENTS AND SPECIFICATIONS .....3

PRODUCT DIAGRAM .....3

IMPORTANT SAFETY RULES .....4

ASSEMBLY .....6

OPERATION .....7

MAINTENANCE .....7

### RECOGNIZE SAFETY SYMBOLS, WORDS & LABELS



This is a safety alert symbol. It is used to alert you to potential personal injury hazards. Obey all safety messages that follow this symbol to avoid possible injury or death. WARNING indicates a potentially hazardous situation, which, if not avoided, could result in death or serious injury.



READ AND UNDERSTAND ALL INSTRUCTIONS. Failure to follow all instructions may result in electric shock, fire and/or serious personal injury.

### WHAT YOU NEED TO KNOW ABOUT SAFETY INSTRUCTIONS

The warning and safety instructions appearing in this manual are not meant to cover all possible conditions and situations that may occur. Common sense, caution and care must be exercised when operating or cleaning tools and equipment. Always contact your dealer, distributor, service agent or manufacturer about problems or conditions you do not understand before operating the product.

## GENERAL PRODUCT SPECIFICATIONS

### PACKAGE CONTENTS

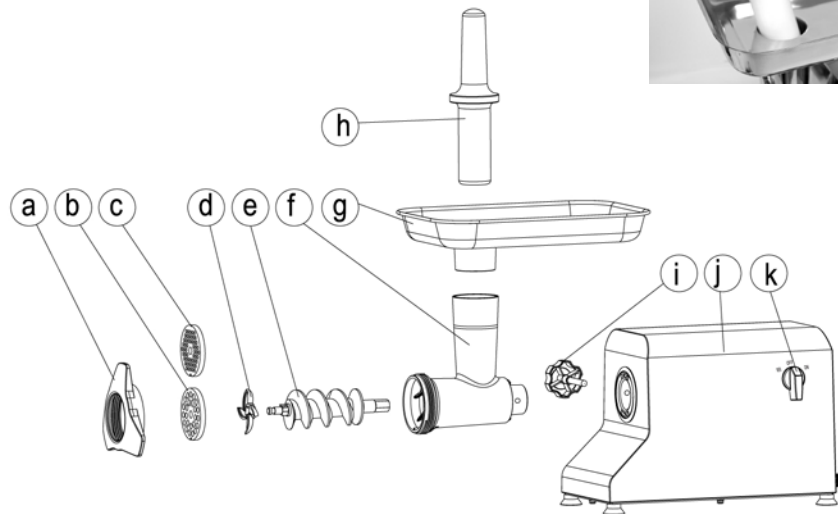
- 2 Cutting Plates Fine .15”(5mm), Coarse .31” (8mm) 1 Food Stuffer, 1 Knife

### SPECIFICATIONS

- Rated Voltage 120V / 60Hz
- Rated Watts 550 Watts
- Horsepower 0.75 HP
- Motor Rotating Speed 1790 RPM
- Process Qty/Time 165 lbs/hour
- Screw Rotating Speed 140 RPM
- Decibels ≤72dB



- a Screw Cap
- b Cutting plate (coarse)
- c Cutting plate (medium)
- d Cutting blade
- e Feed screw
- f Head
- g Hopper plate
- h Food pusher
- l Locking knob
- j Motor housing
- k Switch



Fine Cutting Plate Usage: used for breakfast sausages, spreads, pâtés, baby food, and hamburgers.

Coarse Cutting Plate Usage: used for salami and larger style sausages, ground meat for chili.

## IMPORTANT SAFETY RULES

**COMMON SENSE AND CAUTION ARE FACTORS WHICH CANNOT BE BUILT INTO ANY PRODUCT. THESE FACTORS MUST BE SUPPLIED BY THE OPERATOR.**

### **WARNING**

**Keep the work area clean and well lit.** A cluttered work area may cause accidents.

**Never use this product near flammable liquids or gasses.**

**Never allow children to use this product without responsible adult supervision.** When operating this product, keep children at a safe distance from the work area.

### **WARNING**

**Wear suitable clothing.** Do not wear loose clothing or jewelry. They may get caught in moving parts.

Never wear rings with protruding parts. Wear a hat over long hair. Wear rubber footwear.

**Always wear safety goggles and ear protection** when using the product.

### **WARNING**

**Prevent electrical shock.** Keep the power cord away from heat, oil, sharp edges and rough surfaces. Do not operate if power cord is frayed or damaged.

**Never move the product while it is plugged into an electrical outlet.** Make sure the switch is in the "OFF" position when the power cord is plugged in.

**Never use product in damp or wet conditions.**

**This product is equipped with a grounded 3-prong plug.** Never remove the grounding plug or modify the plug in any way. Do not use adapter plugs with this product. When in use, make sure this product is always plugged into a 3-hole electrical receptacle with an appropriate breaker switch.

## IMPORTANT SAFETY RULES (Continued)

### **WARNING**

**When not in use, store product in a secure, dry and safe place.** The storage area should be lockable and out of the reach of children.

**Use a product designed for the job being performed.** Never use the machine for anything other than its intended purpose.

**Maintain this product with care.** This product works best and safest if it is kept clean. Observe the instructions for maintenance and changing accessories. Keep dry and free of oil and grease.

### **WARNING**

**If working outdoors, use extension cords marked and rated for outdoor use.** When using machines with a ground connection, an extension cord with a grounded connection should be used and connected to a grounded outlet.

**Stay alert.** Do not use this product when impaired by medicine, drugs, or alcohol. Watch what you are doing and use common sense for your safety.

**Before starting the machine check that all safety devices and parts operate smoothly and efficiently.** Make sure that all moving parts are in good working order. Check the machine for any broken parts. Make sure all parts are fitted properly and any other conditions that might affect the proper functioning of the machine are correct. Do not use the machine when it cannot be switched on or off.

### **WARNING**

**For your own safety, use only accessories recommended in this manual.**

**Service must be performed by qualified repair personnel.** Service or maintenance performed by unqualified personnel could result in a risk or injury.

**When servicing a tool, use only identical replacement parts.** Use of unauthorized parts or failure to follow maintenance instructions may create a risk of electric shock or injury

KEEP THIS MANUAL, SALES RECEIPT & APPLICABLE WARRANTY FOR FUTURE REFERENCE. READ ALL INSTRUCTIONS AND WARNINGS BEFORE USING THIS PRODUCT. When unpacking, check to make sure all parts listed on page 3 are included. If any parts are missing or broken, please call Customer Service at 1-888-287-6981.

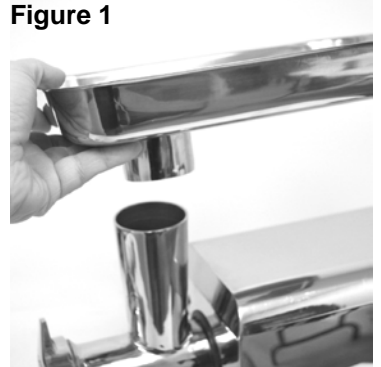
# ASSEMBLY

## **⚠ WARNING**

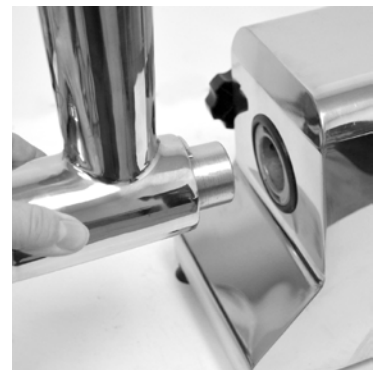
**Do not plug this unit into a power source until assembly is complete.**

1. Unit should be unplugged while assembling.
2. Insert Hopper into Attachment Opening and rotate until it slides into place. (Figure 1)
3. Insert Head Attachment into opening. (Figure 2)
4. Tighten Release Knob. (Figure 3)
5. Attach appropriate knife. (Figure 4)
6. Attach appropriate cutting plate. (Figure 5)
7. Attach Screw Cap. (Figure 6)

**Figure 1**



**Figure 2**



**Figure 3**



**Figure 4**



**Figure 5**



**Figure 6**



## Replacing Cutting Plate & Knife

1. Unit should be unplugged while assembling or cleaning.
2. Follow assembly instructions in reverse. Remove screw cap, cutting plate, knife. (Figures 6, 5 and 4)
3. Replace appropriate knife or cutting place and reassemble.

## Operating - Selecting Forward / Reverse

This unit has a Reverse/Forward Switch and a Power Switch. (Figure 7)

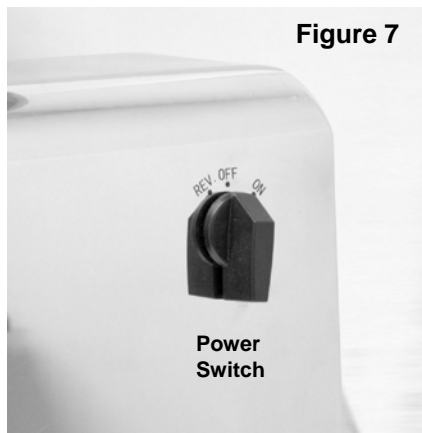
Rotate the black Switch to the right to operate the meat grinder to the ON position.

Engage the Reverse Switch by rotating the power switch to the left. (Use this feature if the meat has jammed inside the machine.)

If you are unable to clear the jam, and the meat is still stuck inside the grinder, unplug the unit from the electrical outlet, remove the cutting plate lock mechanism and clear the Feed Screw.

**WARNING: DO NOT INSERT ANY FINGERS OR OBJECTS INSIDE THE UNIT WHILE IT IS PLUGGED INTO AN ELECTRICAL SOCKET.**

Use Food Stuffer when pressing meat into hopper. Cut food into pieces (sinewless, boneless and fatless meat is recommended, approx 3/4 x 3/4 x 2 inches) so they fit easily into the hopper. Place a bowl or plate beneath the grinding tube to catch the ground meat. Note: The grinder must be ON BEFORE adding food. The grinder head may rotate slightly during use, but it is normal.



## MAINTENANCE

### **⚠ WARNING**

**Always disconnect the unit from its electrical power supply source before performing any cleaning, inspection or maintenance.**

**Before and after use, wash all parts with warm soapy water.**

Before and after use, wash all parts with warm soapy water.

Do not use solvents to wipe off the inside/outside of the unit.

Cover the machine with a cloth cover when not in use.

201405